

## SAIP-M12BG-4-5.0V

**Weidmüller Interface GmbH & Co. KG**

Klingenbergstraße 26

D-32758 Detmold

Germany

[www.weidmueller.com](http://www.weidmueller.com)



Sensor/actuator cables are used for wiring sensors and actuators and for transmitting data or power in various applications. The moulded cable offers connected and tested connection of the plug-in connector to the cable ex-works. The cables may be exposed to a wide range of conditions, such as humidity, dust, heat, cold, shock or vibration.

Our developers have focused specifically on this issue and designed a host of different M8 and M12 sensor-actuator cables so you are bound to find the solution you need for your application.

The M8 and M12 sensor-actuator cables are supplied as standard with brass nickel-plated nuts. However if you are looking to use our products in an extremely harsh environment, we can also supply a variant with a plastic nut. This enables use in environments where cables with nickel-plated M8 and M12 nuts would rust.

Is there something you have not managed to find or you feel needs explanation? Talk to us!

### General ordering data

|            |  |
|------------|--|
| Version    | Sensor/actuator line, One end without connector, M12, Number of poles : 4, 5 m, Female socket, straight, Shielded: No, LED: No, Sheath material: PVC, Halogen: Yes |
| Order No.  | <a href="#">1465960500</a>   |
| Type       | SAIP-M12BG-4-5.0V  |
| GTIN (EAN) | 4050118274622  |
| Qty.       | 1 pc(s).   |

## SAIP-M12BG-4-5.0V

Weidmüller Interface GmbH &amp; Co. KG

Klingenbergstraße 26

D-32758 Detmold

Germany

www.weidmueller.com

## Technical data

## Dimensions and weights

|            |       |
|------------|-------|
| Net weight | 219 g |
|------------|-------|

## Technical specifications for cable

|  |                      |                           |                           |
|--|----------------------|---------------------------|---------------------------|
| Cable length                                   | 5 m                  | Colour coding             | brown, white, blue, black |
| Configurable cable length                      | No                   | Core cross-section        | 0.34 mm <sup>2</sup>      |
| Halogen  | Yes                  | Insulation                | PVC                       |
| Irradiation crosslinked                        | No                   | Number of poles           | 4                         |
| Outer cladding in accordance with UL AWM style | 2464 (80 °C / 300 V) | Outside diameter          | 5.3 mm ± 0.2 mm           |
| Resistant to welding beads                     | No                   | Sheath material           | PVC                       |
| Sheathing colour                               | black                | Shielded                  | No                        |
| Suitable for cable carriers                    | No                   | Temperature range, moving | -5...80 °C                |
| Temperature range, stationary                  | -30...80 °C          | Torsion resistance        | 0 °/m                     |
| Welding spark resistance                       | No                   |                           |                           |

## General technical data

|                        |   |                              |                   |
|------------------------|---|------------------------------|-------------------|
| Coding                 | A                                       | Connection thread            | M12               |
| Contact surface        | Gold-plated                             | Housing main material        | PUR               |
| Insulation strength    | 10 <sup>8</sup> Ω                       | LED                          | No                |
| Plugging cycles        | ≥ 100                                   | Pollution severity           | 3                 |
| Protection degree      | IP65, IP66, IP67, IP68, when screwed in | Rated current                | 4 A               |
| Rated voltage          | 250 V                                   | Temperature range of housing | -40 ... +85 °C    |
| Threaded ring material | Plastic                                 | Tightening torque            | M12: 0.8 - 1.2 Nm |
| Version                | Female socket, straight                 | jumpered                     | No                |

## Electrical properties

|                     |                   |               |       |
|---------------------|-------------------|---------------|-------|
| Insulation strength | 10 <sup>8</sup> Ω | Rated voltage | 250 V |
|---------------------|-------------------|---------------|-------|

## General standards

|                         |         |                    |                 |
|-------------------------|---------|--------------------|-----------------|
| Certificate no. (cULus) | E307231 | Connector standard | IEC 61076-2-101 |
|-------------------------|---------|--------------------|-----------------|

## Standards

|                    |                 |
|--------------------|-----------------|
| Connector standard | IEC 61076-2-101 |
|--------------------|-----------------|

## Classifications

|             |             |             |             |
|-------------|-------------|-------------|-------------|
| ETIM 6.0    | EC001855    | ETIM 7.0    | EC001855    |
| ETIM 8.0    | EC001855    | ECLASS 9.0  | 27-06-03-11 |
| ECLASS 9.1  | 27-06-03-11 | ECLASS 10.0 | 27-06-03-11 |
| ECLASS 11.0 | 27-06-03-11 | ECLASS 12.0 | 27-06-03-11 |

## Environmental Product Compliance

|            |                                       |
|------------|---------------------------------------|
| REACH SVHC | Lead 7439-92-1                        |
| SCIP       | 1c533b66-fcff-4da5-b89f-fd555fbf5cb55 |

**SAIP-M12BG-4-5.0V**

**Weidmüller Interface GmbH & Co. KG**  
Klingenbergstraße 26  
D-32758 Detmold  
Germany

[www.weidmueller.com](http://www.weidmueller.com)

**Technical data****Approvals**

Approvals



|                         |            |
|-------------------------|------------|
| ROHS                    | Conform    |
| UL File Number Search   | UL Website |
| Certificate no. (cULus) | E307231    |

**Downloads**

|                  |  |
|------------------|--|
| Engineering Data | <a href="#">CAD data – STEP</a>          |
| Engineering Data | <a href="#">WSCAD</a>                    |
| Catalogues       | <a href="#">Catalogues in PDF-format</a> |
| Brochures        | <a href="#">FL FIELDWIRING EN</a>        |

**SAIP-M12BG-4-5.0V**

**Weidmüller Interface GmbH & Co. KG**  
 Klingenbergstraße 26  
 D-32758 Detmold  
 Germany

www.weidmueller.com

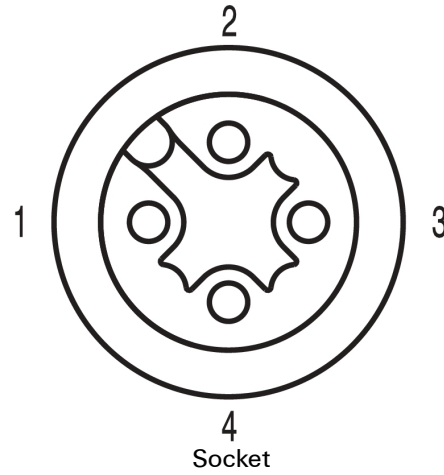
**Drawings**

**Dimensioned drawing**



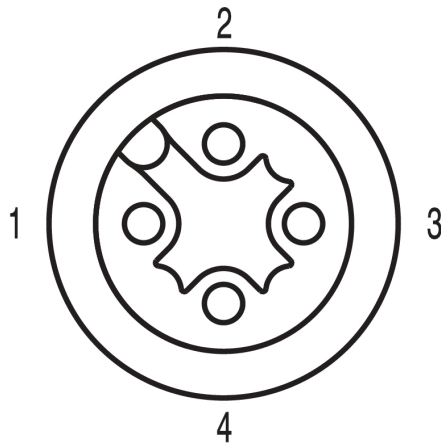
Straight socket

**Pole scheme**



Socket

**Wiring diagram**



**The ideal tool: Screwty® with torque function**



Light, securely screwed-in round plug-in connectors. Screwty set DM / VPE: 1 / Order No.: 1920000000 Adapters: M12, M12 F, M8, M8 F