

## DFFC 0.5-1.0 SN 3000

**Weidmüller Interface GmbH & Co. KG**

Klingenbergstraße 26

D-32758 Detmold

Germany

www.weidmueller.com

### Product image



Similar to illustration

#### For a reliable contact - CB/CS crimp contact.

The combination of RSV housings and Weidmüller's crimp contacts enable custom adaptations to the specific requirements of your applications.

The following product options are available depending on the system:

- Safe centring of the contacts using the three-segment pin tips
- High contact reliability using four defined contact points
- Locking clasp in the cantilever spring for a secure mount of the contacts in the housing
- Pin contacts with two lengths to implement leading-pin contacts
- Up to 100 plugging cycles (tin version)
- Up to 500 plugging cycles (gold version)

The appropriate high-quality tools from Weidmüller guarantee professional processing.

#### General ordering data

Version	PCB plug-in connector, Crimp contact, Contact, tinned, Max. clamping range : 1 mm <sup>2</sup>
Order No.	<a href="#">1480000000</a>
Type	DFFC 0.5-1.0 SN 3000
GTIN (EAN)	4008190179175
Qty.	3,000 pc(s).
Product data	
Packaging	Reel

**DFFC 0.5-1.0 SN 3000**
**Weidmüller Interface GmbH & Co. KG**

Klingenbergstraße 26

D-32758 Detmold

Germany

www.weidmueller.com

**Technical data**
**Dimensions and weights**

Depth	18.8 mm	Depth (inches)	0.74 inch
Height	5.7 mm	Height (inches)	0.224 inch
Width	4.3 mm	Width (inches)	0.169 inch
Net weight	0.578 g		

**Temperatures**

Operating temperature, min.	-50 °C	Operating temperature, max.	100 °C
-----------------------------	--------	-----------------------------	--------

**Material data**

Colour	No	Contact base material	Copper alloy
Contact material	Copper alloy	Contact surface	tinned
Storage temperature, min.	-40 °C	Storage temperature, max.	70 °C
Operating temperature, min.	-50 °C	Operating temperature, max.	100 °C
Temperature range, installation, min.	-25 °C	Temperature range, installation, max.	100 °C

**Conductors suitable for connection**

Clamping range, min.	0.5 mm <sup>2</sup>	Clamping range, max.	1 mm <sup>2</sup>
Wire connection cross section AWG, min.	AWG 20	Wire connection cross section AWG, max.	AWG 18
Solid, min. H05(07) V-U	0.5 mm <sup>2</sup>	Solid, max. H05(07) V-U	1 mm <sup>2</sup>
Stranded, min. H07V-R	0.5 mm <sup>2</sup>	Stranded, max. H07V-R	1 mm <sup>2</sup>
Flexible, min. H05(07) V-K	0.5 mm <sup>2</sup>	Flexible, max. H05(07) V-K	1 mm <sup>2</sup>
w. wire end ferrule, DIN 46228 pt 1, min.	0 mm <sup>2</sup>	w. wire end ferrule, DIN 46228 pt 1, max.	0 mm <sup>2</sup>

**Rated data acc. to IEC**

tested acc. to standard	IEC 60664-1, IEC 61984	Rated impulse voltage for surge voltage class/ pollution degree III/2	0 kV
Short-time withstand current resistance	3 x 1s with 120 A		

**Packing**

Packaging	Reel	VPE length	600 mm
VPE width	598 mm	VPE height	41 mm

**Classifications**

ETIM 6.0	EC002943	ETIM 7.0	EC002943
ETIM 8.0	EC002943	ECLASS 9.0	27-44-04-92
ECLASS 9.1	27-44-04-92	ECLASS 10.0	27-44-04-92
ECLASS 11.0	27-46-04-03	ECLASS 12.0	27-46-04-03

**Important note**

IPC conformity	Conformity: The products are developed, manufactured and delivered according international recognized standards and norms and comply with the assured properties in the data sheet resp. fulfill decorative properties in accordance with IPC-A-610 "Class 2". Further claims on the products can be evaluated on request.
Notes	• Long term storage of the product with average temperature of 50 °C and average humidity 70%, 36 months

**DFFC 0.5-1.0 SN 3000**

**Weidmüller Interface GmbH & Co. KG**  
Klingenbergstraße 26  
D-32758 Detmold  
Germany

[www.weidmueller.com](http://www.weidmueller.com)

**Technical data****Approvals**

Approvals



ROHS

Conform

**Downloads**

Approval/Certificate/Document of  
Conformity

[Declaration of the Manufacturer](#)

Catalogues

[Catalogues in PDF-format](#)

Brochures

[FL DRIVES EN](#)  
[MB DEVICE MANUF. EN](#)  
[FL DRIVES DE](#)  
[FL BUILDING SAFETY EN](#)  
[FL APPL LED LIGHTING EN](#)  
[FLIndustr.CONTROLS EN](#)  
[FL MACHINE SAFETY EN](#)  
[FL HEATING ELECTR EN](#)  
[FL APPL INVERTER EN](#)  
[FL\\_BASE\\_STATION\\_EN](#)  
[FL ELEVATOR EN](#)  
[FL POWER SUPPLY EN](#)  
[FL 72H SAMPLE SER EN](#)  
[PO OMNIMATE EN](#)  
[PO OMNIMATE EN](#)

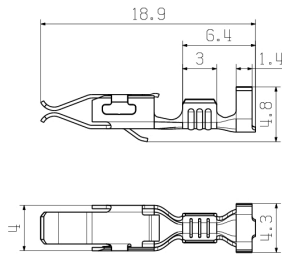
**DFFC 0.5-1.0 SN 3000**

**Weidmüller Interface GmbH & Co. KG**  
Klingenbergstraße 26  
D-32758 Detmold  
Germany

[www.weidmueller.com](http://www.weidmueller.com)

Drawings

**Dimensional drawing**



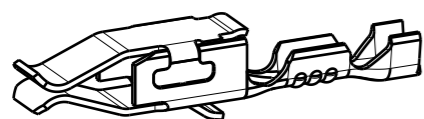
**Product image**



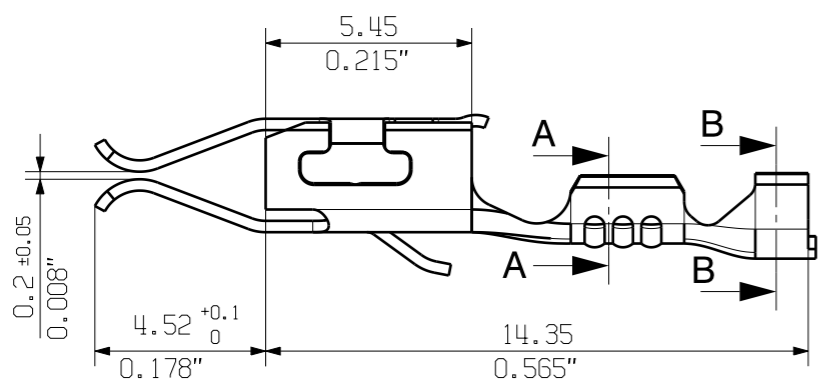
Similar to illustration

allgemeingültige Kundenzeichnung, aktueller Stand nur auf Anfrage  
 general customer drawing, topical version only if required

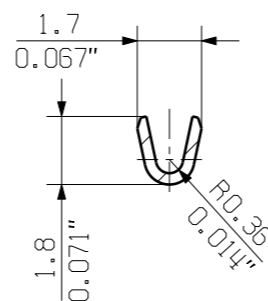
M 5/1



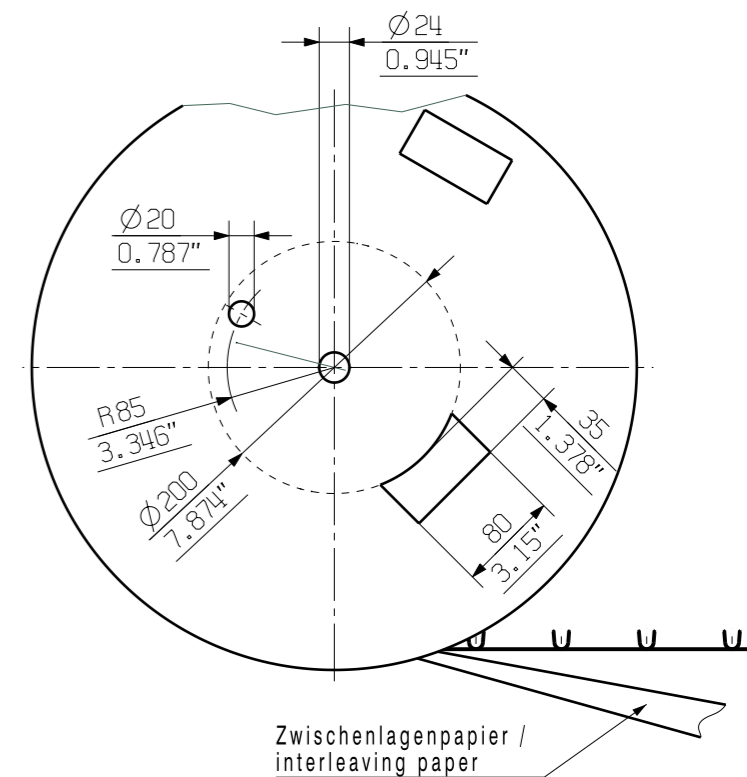
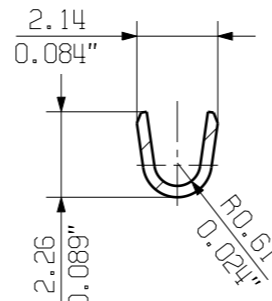
DFFC 0.22-0.35mm<sup>2</sup>



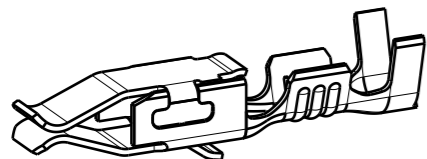
A-A



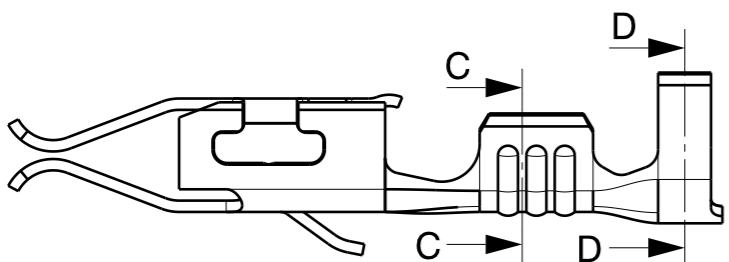
B-B



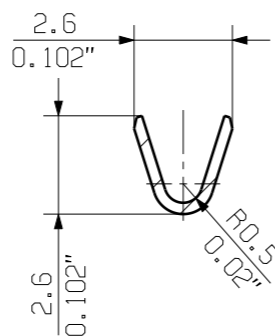
M 5/1



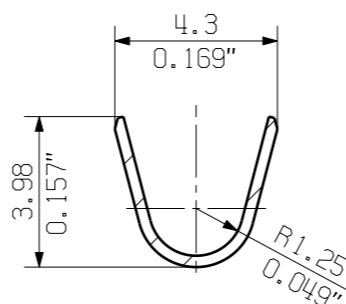
DFFC 0.5-1.0mm<sup>2</sup>



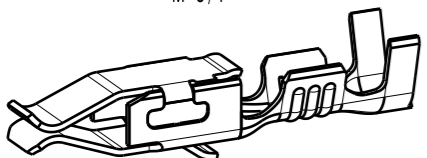
C-C



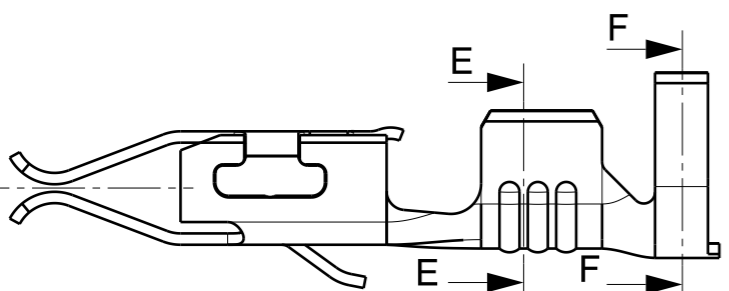
D-D



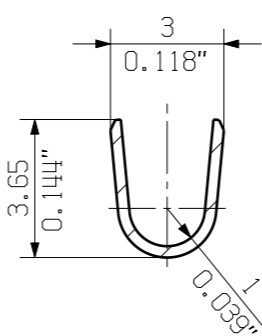
M 5/1



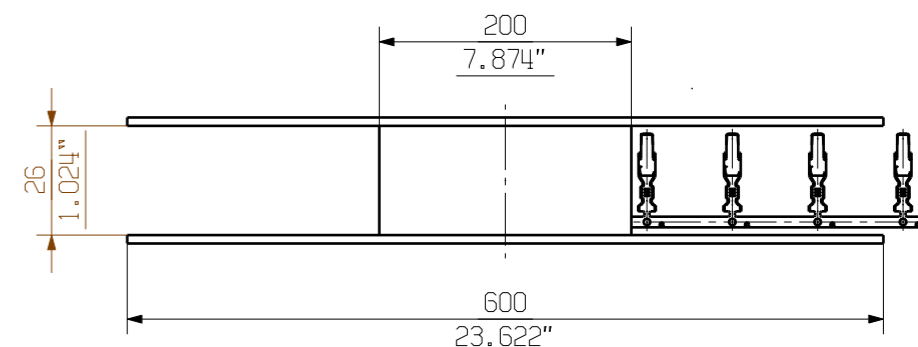
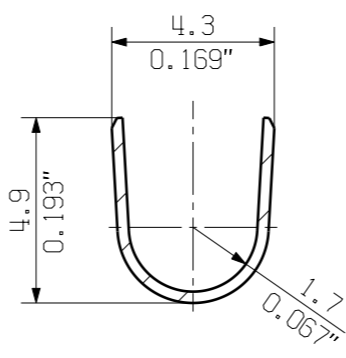
DFFC 1.50-2.50mm<sup>2</sup>



E-E



F-F



For the mounting of PCBs, it should be noted that the rated data given in the catalogue relates only to the connection elements. The necessary creepage and clearance paths must be observed in connection with the respective applicant in accordance to VDE 0110. The current-carrying capacity and pitch tolerance is to be determined according to DIN IEC 326 part 3 very fine.

Weidmüller connectors are tested to the DIN VDE 0627 standard, and are valid for its field of application. Provided that the connectors are used to the intended purpose, all requirements with respect to the occurring of electrical, mechanical, thermic and corrosive stress will be satisfied.

1604260000	1604240000	0.22mm <sup>2</sup> -0.35mm <sup>2</sup>	Au0.8, Ni1-2 u. Sn4±1
1604250000	1604230000		Sn 4-8
1625530000	1625520000	0.50mm <sup>2</sup> -1.00mm <sup>2</sup>	Ag4±1 u. Sn4±1
1567080000	1540100000		Au0.8, Ni1-2 u. Sn4±1
1567060000	1480000000		Sn 4-8
1625510000	1625500000	1.50mm <sup>2</sup> -2.50mm <sup>2</sup>	Ag4±1 u. Sn4±1
1567090000	1540200000		Au0.8, Ni1-2 u. Sn4±1
1567070000	1480100000		Sn 4-8
Einzelkontakt/ separate cont.	Bandware / cont. on strip	Leiterquerschnitt / conductor cross-section	Oberfläche finish&surf.
Bestell-Nr. / cat.no.			Cat.no.:

**GENERAL TOLERANCE:**  
DIN ISO 2768-m

88771/5  
23.06.16 HELIS\_MA 00

**Weidmüller**

**3 32368 11**  
Drawing no. Issue no.  
Sheet 05 of 05 sheets

**DFFC**  
CRIMPKONTAKT  
CRIMP CONTACT

Scale: 10/1  
Supersedes: .

Date: 30.03.2007  
Name: HERTEL\_S

Date: 26.07.2016  
Name: HELIS\_MA

Date: LANG\_T  
Name: LANG\_T

Product file: DFFC

7169