

ACT20P-PRO DCDC II-P

Weidmüller Interface GmbH & Co. KG
 Klingenbergstraße 26
 D-32758 Detmold
 Germany

www.weidmueller.com

Similar to illustration



ACT20P: The flexible solution

- Precise and highly functional signal converters
- Release levers simplify handling

General ordering data

Version	Signal converter/insulator, 24...230 V AC/DC power supply, Input : I/U universal, Output : I/U universal
Order No.	1481960000
Type	ACT20P-PRO DCDC II-P
GTIN (EAN)	4050118291025
Qty.	1 Stück

Erstellungs-Datum May 25, 2023 12:39:02 PM CEST

ACT20P-PRO DCDC II-P

Weidmüller Interface GmbH & Co. KG
 Klingenbergstraße 26
 D-32758 Detmold
 Germany

www.weidmueller.com

Technische Daten

Dimensions and weights

Depth	113.7 mm	Depth (inches)	4.476 inch
Height	127.1 mm	Height (inches)	5.004 inch
Width	12.5 mm	Width (inches)	0.492 inch
Net weight	130 g		

Temperatures

Operating temperature	-25 °C...70 °C	Operating temperature, min.	-25 °C
Operating temperature, max.	70 °C		

Probability of failure

MTBF	76 Years
------	----------

Input

Input current	configurable, $\pm 0.1\text{mA} \dots \pm 100\text{mA}$, Measuring range min. 200 μA	Input resistance, current	< 5 mA: approx. 100 Ω ; >5 mA: approx. 5 Ω
Input resistance, voltage	approx. 1 M Ω	Input voltage	configurable, $\pm 40\text{mV} \dots \pm 300\text{V}$, Measuring range. min 40 mV
Number of inputs	1	Sensor	4- wire sensor (with own power supply)

Output

Cut-off frequency (-3 dB)	> 10 kHz/ < 10 Hz	Load impedance current	$\leq 600\ \Omega$
Offset current	20 μA	Offset voltage	< 10 mV
Output current	Adjustable, 0... $\pm 20\text{mA}$	Output voltage, note	Adjustable, 0... $\pm 10\text{V}$
Type	active (as current source) or passive (as current sink), connected control can be active / passive	load impedance voltage	$\geq 1\ \text{k}\Omega$

Output (digital)

Max. switching voltage, AC	0 V	Status indicator	Green LED
----------------------------	-----	------------------	-----------

Output (analogue)

Output current	Adjustable, 0... $\pm 20\text{mA}$
----------------	------------------------------------

Display

Display value	current measured value, Configuration data	Type	Dot-matrix display with ticker text, green
---------------	--	------	--

ACT20P-PRO DCDC II-P

Weidmüller Interface GmbH & Co. KG
 Klingenbergstraße 26
 D-32758 Detmold
 Germany

www.weidmueller.com

Technische Daten

General data

Accuracy	< 0.05 % of measuring range	Configuration	DIP switch, or via display and push-buttons
Galvanic isolation	3-way isolator, between input / output / supply	Power consumption	≤2.3 W
Rail	TS 35	Step response time	≤50 μs
Temperature coefficient	≤0.01% of the output measurement range / °C	Voltage supply	24...230 V DC ±20 %, 24...230 V AC ±10 % @ 48...62 Hz

Insulation coordination

EMC standards	EN 60079-0, EN 60079-15, EN 61010-1, EN 61140, EN 61326-1, UL 61010-1, SN29500 for MTBF	Galvanic isolation	3-way isolator, between input / output / supply
Impulse withstand voltage	5 kV (1.2/50 μs)	Insulation voltage	4 kV _{eff} , input / output / power supply
Pollution severity	2	Rated voltage	600 V
Surge voltage category	II		

Data for Ex applications (ATEX)

Marking	II 3 G Ex nA IIC T4 Gc
---------	------------------------

Connection data

Type of connection	PUSH IN	Tightening torque, min.	0.4 Nm
Tightening torque, max.	0.6 Nm	Clamping range, rated connection	2.5 mm ²
Clamping range, min.	0.5 mm ²	Clamping range, max.	2.5 mm ²
Wire connection cross section AWG, min.	AWG 26	Wire connection cross section AWG, max.	AWG 14
Wire cross-section, solid, min.	0.5 mm ²	Wire cross-section, solid, max.	2.5 mm ²
Wire connection cross section, finely stranded, min.	0.5 mm ²	Wire connection cross section, finely stranded, max.	2.5 mm ²
Wire connection cross-section, finely stranded with wire-end ferrules DIN 46228/4, min.	0.2 mm ²	Wire connection cross-section, finely stranded with wire-end ferrules DIN 46228/4, max.	2.5 mm ²

Classifications

ETIM 6.0	EC002653	ETIM 7.0	EC002653
ETIM 8.0	EC002653	ECLASS 9.0	27-21-01-20
ECLASS 9.1	27-21-01-20	ECLASS 10.0	27-21-01-20
ECLASS 11.0	27-21-01-20	ECLASS 12.0	27-21-01-20

Environmental Product Compliance

REACH SVHC	Lead 7439-92-1
SCIP	2f6dd957-421a-46db-a0c2-cf1609156924

ACT20P-PRO DCDC II-P

Weidmüller Interface GmbH & Co. KG
 Klingenbergstraße 26
 D-32758 Detmold
 Germany

www.weidmueller.com

Technische Daten

Important note

Product information	<p>The universally configurable DC isolating amplifier ACT20P-PRO DCDC II isolates and converts analogue signals. An analogue input signal (current or voltage) is linearly converted into an analogue output signal (current or voltage) and galvanically isolated. The power supply is galvanically isolated from the input and output (3-way isolation).</p> <p>Properties</p> <ul style="list-style-type: none"> • universal wide-range voltage supply • universally configurable via DIP switch or via the LED display using control buttons • Active or passive signal output • Operating status display on a front panel LED • Galvanic 3-way isolation between input, output and supply.
---------------------	---

Approvals

Approvals



Approvals	CULUS;GERMLLOYD;
ROHS	Conform
UL File Number Search	UL Website
Certificate no. (cULus)	E314307
Certificate no. (cULusEX)	E345958

Downloads

Approval/Certificate/Document of Conformity	Declaration of Conformity UL - certification Electrical Equipment DNV German Loyd approval ATEX certification UL - certification Hazardous Locations
Engineering Data	CAD data – STEP
Software	Runtime Software – DIP switch configuration tool
User Documentation	Instruction sheet
Catalogues	Catalogues in PDF-format

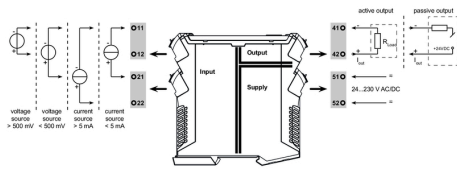
ACT20P-PRO DCDC II-P

Weidmüller Interface GmbH & Co. KG
 Klängenbergstraße 26
 D-32758 Detmold
 Germany

www.weidmueller.com

Zeichnungen

Wiring



DIP switch setting for standard values

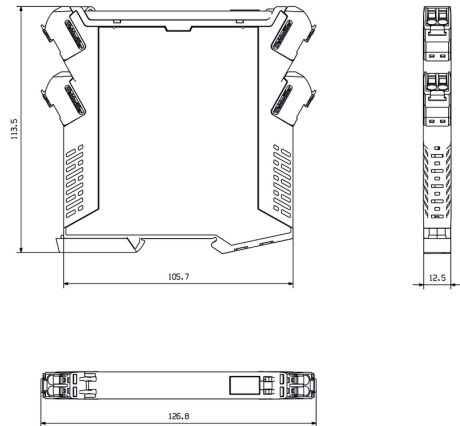
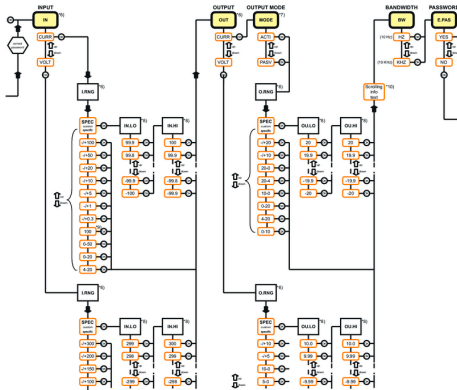
Input range	DIP switch			
	1	2	3	4
configuration via display				
-10...+10 V				
-5...+5V				
0...300 V				
0...100 V				
0...30 V				
0...10 V				
2...10 V				
0...5 V				
1...5 V				
0...150 mV				
0...60 mV				
-20...+20 mA				
0...20 mA				
4...20 mA				
reserved				

Output range	DIP switch			
	5	6	7	8
configuration via display				
-10...+10 V				
-5...+5V				
10...0 V *				
0...10 V				
2...10 V				
5...0 V *				
0...5 V				
1...5 V				
-20...+20 mA				
-10...+10 mA				
20...0 mA *				
0...20 mA				
20...4 mA *				
4...20 mA				
reserved				

■ = ON * Inverted output range: Output polarity must be reversed!

Dimensioned drawing

Configuration menu (part) universal input / output values



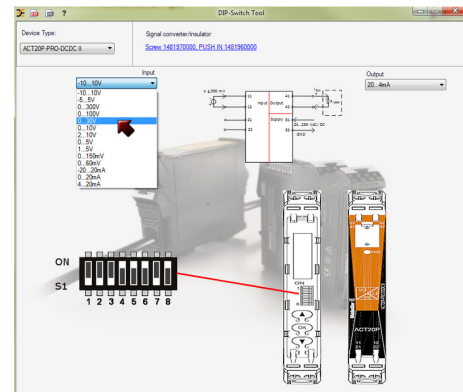
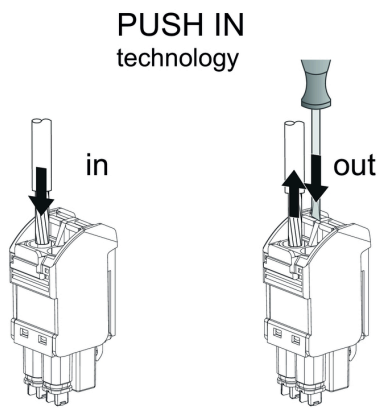
setting via display and push-buttons

ACT20P-PRO DCDC II-P

Weidmüller Interface GmbH & Co. KG
Klingenbergstraße 26
D-32758 Detmold
Germany

www.weidmueller.com

Zeichnungen



example for DIP switch setting (with ACT20 tool)