

IE-BS-M12X-S-FH**Weidmüller Interface GmbH & Co. KG**

Klingenbergstraße 26

D-32758 Detmold

Germany

www.weidmueller.com



M12 X-type Cat 6 _A field-assembled connectors and PCB sockets

General ordering data

Version	Plug-in connector, M12, IDC, Cat.6A / Class EA (ISO/IEC 11801 2010), IP67 plugged
Order No.	1516340000
Type	IE-BS-M12X-S-FH
GTIN (EAN)	4050118323795
Qty.	1 pc(s).

Creation date March 8, 2023 12:51:31 PM CET

Catalogue status 03.03.2023 / We reserve the right to make technical changes.

IE-BS-M12X-S-FH**Weidmüller Interface GmbH & Co. KG**

Klingenbergstraße 26

D-32758 Detmold

Germany

www.weidmueller.com

Technical data**Dimensions and weights**

Wall thickness, min.	0.9 mm	Wall thickness, max.	4 mm
Net weight	28 g		

Temperatures

Operating temperature	-40 °C...85 °C	Operating temperature, min.	-40 °C
Operating temperature, max.	85 °C		

Technical data customisable plug-in connectors

Category	Cat.6A / Class EA (ISO/IEC 11801 2010)	Coding	X
Contact surface	Gold-plated	Housing main material	Zinc diecast
Insulation strength	100 MΩ	Number of poles	8
Plugging cycles	≥ 100	Protection degree	IP67 plugged
Rated voltage	48 V		

General Info

Number of poles	8	Connection 1	M12
Connection 2	IDC	Housing main material	Zinc diecast
Insulation cross-section, max.	1.6 mm	Category	Cat.6A / Class EA (ISO/IEC 11801 2010)
Connection thread	M12	Contact material	CuZn
Contact surface	Gold-plated	Connection diameter, solid	0.4...0.64 mm
Wire connection diameter, solid, min.	0.4 mm	Conductor connection cross-section, solid (AWG)	AWG 24...AWG 22
Wire connection diameter, solid, max.	0.64 mm	Connection diameter, flexible	0.48...0.76 mm
Wire cross-section, solid, min. (AWG)	AWG 24	Conductor connection cross-section, flexible (AWG)	AWG 26...AWG 22
Wire cross-section, solid, max. (AWG)	AWG 22	Wire connection diameter, flexible, min.	0.48 mm
Wire connection diameter, flexible, max.	0.76 mm	Wire cross-section, finely stranded, min. (AWG)	AWG 26
Wire cross-section, finely stranded, max. (AWG)	AWG 22	Sheath diameter, min.	5 mm
Sheath diameter, max.	9.7 mm	Contact holder materials	PA
Shielding	360° all-round enclosure	Protection degree	IP67 plugged
Plugging cycles	≥ 100		

Electrical properties

Current-carrying capacity at 50 °C	0.5 A @ 40 °C	Insulation strength	100 MΩ
PoE / PoE+	conforming to IEEE 802.3at	Rated voltage	48 V

General standards

Certificate no. (cULus)	E316369	Connector standard	IEC 61076-2-109
-------------------------	---------	--------------------	-----------------

Standards

Connector standard	IEC 61076-2-109
--------------------	-----------------

IE-BS-M12X-S-FH**Weidmüller Interface GmbH & Co. KG**

Klingenbergstraße 26

D-32758 Detmold

Germany

www.weidmueller.com

Technical data**Classifications**

ETIM 6.0	EC002635	ETIM 7.0	EC002635
ETIM 8.0	EC002635	ECLASS 9.0	27-44-01-02
ECLASS 9.1	27-44-01-03	ECLASS 10.0	27-44-01-02
ECLASS 11.0	27-44-01-02	ECLASS 12.0	27-44-01-16

Environmental Product Compliance

REACH SVHC	Lead 7439-92-1
SCIP	67cf1078-beca-4687-860b-dc475a6ec24a

Approvals

Approvals



ROHS	Conform
UL File Number Search	UL Website
Certificate no. (cULus)	E316369

Downloads

Approval/Certificate/Document of Conformity	DUXR.E316369 CC Link IE Field M12-X PROFINET Manufacturer's Declaration
Engineering Data	CAD data – STEP
User Documentation	MAN IE GUIDE DE MAN IE GUIDE EN
Catalogues	Catalogues in PDF-format
Brochures	MB FREECONTACT EN FL FIELDWIRING EN PI PROFINET CABLING EN PI PROFINET CABLING EN

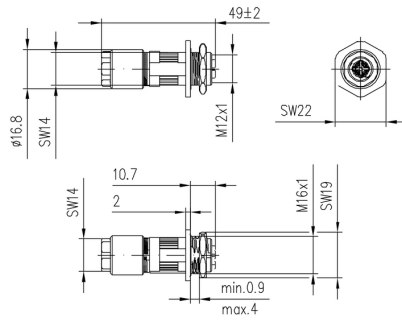
IE-BS-M12X-S-FH

Weidmüller Interface GmbH & Co. KG
 Klingenbergstraße 26
 D-32758 Detmold
 Germany

www.weidmueller.com

Drawings

Dimensioned drawing



Installation cut-out

$t = \text{min. } 0.9 / \text{max. } 4$

