

SAI-Y-3/3 M8-M8 U

Weidmüller Interface GmbH & Co. KG
Klingenbergstraße 26
D-32758 Detmold
Germany
www.weidmueller.com

Similar to illustration



General ordering data

Version	Y connector, M8 / M8
Order No.	1550620000
Type	SAI-Y-3/3 M8-M8 U
GTIN (EAN)	4050118357141
Qty.	1 pc(s).

SAI-Y-3/3 M8-M8 U

Weidmüller Interface GmbH & Co. KG

Klingenbergstraße 26

D-32758 Detmold

Germany

www.weidmueller.com

Technical data

Dimensions and weights

Net weight 15 g

Connection data

Group outlet - plug-in connector	M8 pin	Single outlet 1 - plug-in connector	M8 socket
Single outlet 2 - plug-in connector	M8 socket	Tightening torque	M8: 0.5 - 0.6 Nm

Technical data customisable plug-in connectors

Coding	M8 = none	Contact surface	Au (Gold)
Housing main material	PUR	Number of poles	3
Plugging cycles	≥ 100	Pollution severity	3
Protection degree	IP67	Rated current	4 A
Rated voltage	24 V	Shield connection	No
Temperature range of housing	-25...+85 °C		

Standards

Connector standard IEC 61076-2-104

General data

Coding	M8 = none	Conductor O.D.	-
Connection thread	M8 / M8	Contact surface	Au (Gold)
Housing main material	PUR	Number of poles	3
Plugging cycles	≥ 100	Pollution severity	3
Protection degree	IP67	Rated current	4 A
Rated voltage	24 V	Shield connection	No
Temperature range of housing	-25...+85 °C		

Classifications

ETIM 6.0	EC002925	ETIM 7.0	EC002925
ETIM 8.0	EC002925	ECLASS 9.0	27-44-01-06
ECLASS 9.1	27-44-01-06	ECLASS 10.0	27-44-01-06
ECLASS 11.0	27-44-01-06	ECLASS 12.0	27-44-01-06

Environmental Product Compliance

REACH SVHC	Lead 7439-92-1
SCIP	1c533b66-fcff-4da5-b89f-fd55fbf5cb55

Approvals

Approvals



ROHS Conform

Downloads

Catalogues	Catalogues in PDF-format
Brochures	FL FIELDWIRING EN

Creation date March 8, 2023 1:34:46 PM CET

Catalogue status 03.03.2023 / We reserve the right to make technical changes.

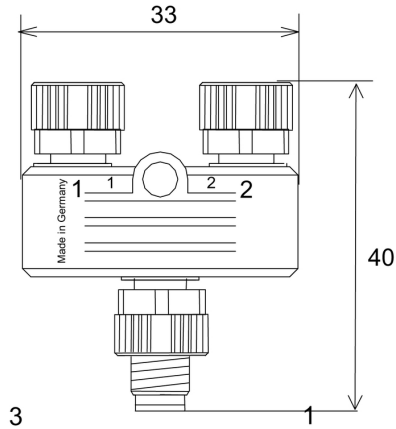
SAI-Y-3/3 M8-M8 U

Weidmüller Interface GmbH & Co. KG
Klingenbergstraße 26
D-32758 Detmold
Germany

www.weidmueller.com

Drawings

Dimensioned drawing



Wiring diagram

