

HDC HDD 108 MC**Weidmüller Interface GmbH & Co. KG**

Klingenbergstraße 26

D-32758 Detmold

Germany

www.weidmueller.com



The HDD series with machined crimp contacts is designed for high pole counts in tight spaces. Users save installation space with the smaller design, without having to limit the number of poles.

The wire connection level is designed as a crimp contact. The established crimp connection has been used as a standard for decades. Crimp contacts are not delivered with the inserts.

Number of poles: **108**

Rated current: **10 A**

Rated voltage: **250 V**

Nominal voltage acc. to UL/CSA: **600 V AC/DC**

Crimp connection

General ordering data

Version	HDC insert, Male, 250 V, 10 A, Number of poles: 108, Crimp connection, Size: 8
Order No.	1651210000
Type	HDC HDD 108 MC
GTIN (EAN)	4008190299811
Qty.	1 pc(s).

Creation date February 23, 2023 4:49:48 PM CET

Catalogue status 18.02.2023 / We reserve the right to make technical changes.

HDC HDD 108 MC

Weidmüller Interface GmbH & Co. KG

Klingenbergstraße 26

D-32758 Detmold

Germany

www.weidmueller.com

Technical data

Dimensions and weights

Depth	111 mm	Depth (inches)	4.37 inch
Height	33 mm	Height (inches)	1.299 inch
Width	34 mm	Width (inches)	1.339 inch
Net weight	67 g		

Temperatures

Limit temperature	-40 °C ... 125 °C
-------------------	-------------------

Dimensions

Height of plug	35 mm	Total length base	111 mm
Width	34 mm		

General data

BG	8	Conductor cross-section	2.5 mm ²
Insulating material	PC glass-fibre reinforced (UL-listed and railway-certified)	Insulating material group	IIIa
Insulation strength	10 ¹⁰ Ω	Material	Copper alloy
Number of poles	108	Plugging cycles, gold	≥ 500
Plugging cycles, silver	≥ 500	Pollution severity	3
Rated current (DIN EN 61984)	10 A	Rated impulse voltage (DIN EN 61984)	4 kV
Rated voltage (DIN EN 61984)	250 V	Rated voltage according to UL/CSA	600 V AC/DC
Series	HDD	Size	8
Type	Male	UL 94 flammability rating	V-0
Volume resistance	≤4 mΩ		

Connection data PE

Blade size, slotted (PE connection)	SD 0.6 x 3.5, SD 0.8 x 4.0	Connection type PE	Screw connection
Fixing screw	M 4	Rated cross-section	2.5 mm ²
Stripping length PE connection	10 mm	Tightening torque, max. PE connection	1.5 Nm
Tightening torque, min. PE connection	1.2 Nm	Wire cross section, AWG (PE), max.	AWG 14
Wire cross section, AWG (PE), min.	AWG 20		

Version

BG	8	Conductor cross-section, max.	2.05 mm ²
Conductor cross-section, min.	0.14 mm ²	Material	Copper alloy
Size	8	Stripping length, rated connection	8 mm
Type of connection	Crimp connection	Volume resistance	≤4 mΩ
Wire connection cross section AWG, max.	AWG 14	Wire connection cross section AWG, min.	AWG 26
Wire connection cross section, finely stranded, max.	2.5 mm ²	Wire connection cross section, finely stranded, min.	0.5 mm ²
Wire connection cross-section, finely stranded with wire-end ferrules DIN 46228/4, max.	2.5 mm ²	Wire connection cross-section, finely stranded with wire-end ferrules DIN 46228/4, min.	0.5 mm ²
Wire cross-section, solid, max.	2.5 mm ²	Wire cross-section, solid, min.	0.5 mm ²

HDC HDD 108 MC

Weidmüller Interface GmbH & Co. KG

Klingenbergstraße 26

D-32758 Detmold

Germany

www.weidmueller.com

Technical data

Classifications

ETIM 6.0	EC000438	ETIM 7.0	EC000438
ETIM 8.0	EC000438	ECLASS 9.0	27-44-02-05
ECLASS 9.1	27-44-02-05	ECLASS 10.0	27-44-02-05
ECLASS 11.0	27-44-02-05	ECLASS 12.0	27-44-02-05

Substance	Acetone
Chemical resistance	Resistant
Substance	Ammonia, watery
Chemical resistance	Conditionally resistant
Substance	Petrol
Chemical resistance	Resistant
Substance	Benzene
Chemical resistance	Resistant
Substance	Diesel oil
Chemical resistance	Conditionally resistant
Substance	Acetic acid, concentrated
Chemical resistance	Resistant
Substance	Potassium hydroxide
Chemical resistance	Conditionally resistant
Substance	Methanol
Chemical resistance	Conditionally resistant
Substance	Motor oil
Chemical resistance	Conditionally resistant
Substance	Lye, diluted
Chemical resistance	Resistant
Substance	Hydrochlorofluorocarbons
Chemical resistance	Conditionally resistant
Substance	Outdoor use
Chemical resistance	Conditionally resistant

Environmental Product Compliance

REACH SVHC	Potassium perfluorobutane sulfonate 29420-49-3
SCIP	1609748e-c278-4c9b-b3d1-e6215d2988cd
Chemical resistance	de.myview.objectmodel.impl.BlockImpl@1bf762eb de.myview.objectmodel.impl.BlockImpl@d291c8e de.myview.objectmodel.impl.BlockImpl@73017a0f de.myview.objectmodel.impl.BlockImpl@28656187 de.myview.objectmodel.impl.BlockImpl@8a5be5a de.myview.objectmodel.impl.BlockImpl@4d2d1eac de.myview.objectmodel.impl.BlockImpl@3584c404 de.myview.objectmodel.impl.BlockImpl@36eef26a de.myview.objectmodel.impl.BlockImpl@139ccd83 de.myview.objectmodel.impl.BlockImpl@36616922 de.myview.objectmodel.impl.BlockImpl@25d62f0e de.myview.objectmodel.impl.BlockImpl@64eaf47c

HDC HDD 108 MC

Weidmüller Interface GmbH & Co. KG
Klingenbergstraße 26
D-32758 Detmold
Germany

www.weidmueller.com

Technical data

Approvals

Approvals



ROHS

Conform

Downloads

Approval/Certificate/Document of
Conformity

[Manufacturer's declaration](#)

Engineering Data

[CAD data – STEP](#)

Engineering Data

[WSCAD](#)

Catalogues

[Catalogues in PDF-format](#)

Brochures

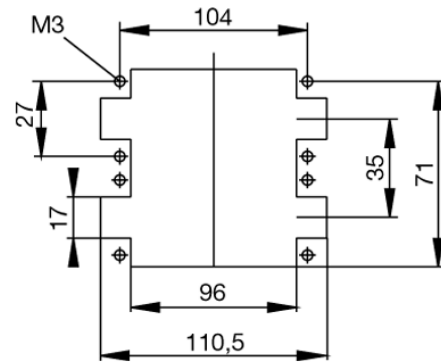
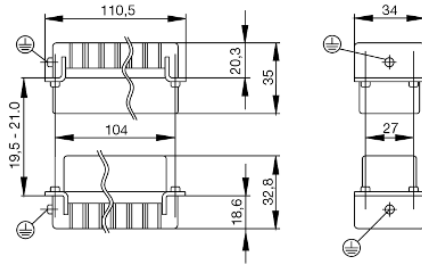
[FL FIELDWIRING EN](#)
[FL FIELDWIRING EN](#)

HDC HDD 108 MC

Weidmüller Interface GmbH & Co. KG
Klingenbergstraße 26
D-32758 Detmold
Germany

www.weidmueller.com

Drawings



Tightening torques and screwing tools

Screw size	Connector type	Dia. tightening torque in Nm	Recommended blade inserts and AF size for hexagon socket	
M 2.5	Signal contacts			
	S 6/6	0.5 - 0.55	SD 0.6 x 3.5 mm or PZ0	
	S 6/12	0.5 - 0.55	SD 0.6 x 3.5 mm or PZ0	
M 2.9 x 0.5	Fastening screws			
	HQ 4/2	0.8 (plastic) / 1.1 (metal)	SD 0.6 x 3.5 mm or PH0	
	HQ 8	0.8 (plastic) / 1.1 (metal)	SD 0.6 x 3.5 mm or PH0	
	HQ 17	0.8 (plastic) / 1.1 (metal)	SD 0.6 x 3.5 mm or PH0	
M 3	Contact screws			
	HA 3	0.5 - 0.55	SD 0.5 x 3.0 mm	
	HA 4	0.5 - 0.55	SD 0.5 x 3.0 mm	
	HA 10 bis HA 48	0.5 - 0.55	SD 0.6 x 3.5 mm or PH0	
	HE	0.5 - 0.55	SD 0.6 x 3.5 mm or PZ0	
	HVE	0.5 - 0.55	SD 0.6 x 3.5 mm or PZ0	
	Signal contacts:			
	S 4/2	0.5 - 0.55	SD 0.6 x 3.5 mm or PZ0	
	S 4/8	0.5 - 0.55	SD 0.6 x 3.5 mm or PZ0	
	PE connection via female contact			
	S 4	0.5 - 0.8	SD 0.6 x 3.5 mm	
	ConCept modular frame, metal	0.5 - 0.55	SD 0.6 x 3.5 mm	
	PE terminal			
	HQ 5	0.5 - 0.55	SD 0.6 x 3.5 or 0.8 x 4 mm	
	HQ 7	0.5 - 0.55	SD 0.6 x 3.5 or 0.8 x 4 mm	
	Fastening screws	0.5 - 0.55	SD 0.6 x 3.5 mm or PZ0	
	Guide pin	0.5 - 0.55	SD 0.6 x 3.5 mm or PZ0	
	Guide bush	0.5 - 0.55	SD 0.6 x 3.5 mm or PZ0	
	Coding pins	0.5 - 0.55	SD 0.6 x 3.5 mm or PZ0	
	M 4	Contact screws		
		HSB	1.2 - 1.5	SD 0.6 x 3.5 or 0.8 x 4 mm or PZ1
PE connection via male contact				
S 4		0.5 - 0.8	SD 0.6 x 3.5 mm	
ConCept modular frame, metal		1.2 - 1.5	SD 0.6 x 3.5 mm	
PE terminal				
HA		1.2 - 1.5	SD 0.6 x 3.5 or 0.8 x 4 mm or PH1	
HE		1.2 - 1.5	SD 0.6 x 3.5 or 0.8 x 4 mm or PH1	
HEE		1.2 - 1.5	SD 0.6 x 3.5 or 0.8 x 4 mm or PH1	
HVE		1.2 - 1.5	SD 0.6 x 3.5 or 0.8 x 4 mm or PH1	
HD		1.2 - 1.5	SD 0.6 x 3.5 or 0.8 x 4 mm or PZ1	
HDD		1.2 - 1.5	SD 0.6 x 3.5 or 0.8 x 4 mm or PZ1	
S 6/6 (for signal contacts)		1.2 - 1.5	0.8 x 4 mm or PZ1	
ConCept modular frame, plastic		1.2 - 1.5	0.8 x 4 mm or PZ1	
M 5		PE terminal		
		HSB	2 - 2.5	SD 1 x 5.5 mm or PZ2
		S 4/0 (Screw connection)	2 - 2.5	SD 1.2 x 6.5 mm or PH2
	S 4/0 (Axial screw connection)	2 - 2.5	SD 0.8 x 4 mm or PZ 2	
	S 4/2	2 - 2.5	SD 1.2 x 6.5 mm or PH2	
	S 4/8	2 - 2.5	SD 1.2 x 6.5 mm or PH2	
	S 6/12	2 - 2.5	SD 0.8 x 4 mm or PZ 2	
	S 6/36	2 - 2.5	SD 1.2 x 6.5 mm or PH2	
	S 8/24	2 - 2.5	SD 1.2 x 6.5 mm or PH2	
	S 12/2	2 - 2.5	SD 1.2 x 6.5 mm or PH2	
	M 6	Power contacts		
S 4/0 (Screw connection)		1.2 (1.5 mm ²) / 2 (2.5 mm ²) / 3 (4-16 mm ²)	SD 0.8 x 4 mm	
S 4/2		1.2 (1.5 mm ²) / 2 (2.5 mm ²) / 3 (4-16 mm ²)	SD 0.8 x 4 mm	
S 4/8		1.2 (1.5 mm ²) / 2 (2.5 mm ²) / 3 (4-16 mm ²)	SD 0.8 x 4 mm	
M 7 x 0.75	Power contacts			
	S 4	1.1 - 1.7	SW 2	
	S 6/6 (+ PE)	6 - 8	SW 4	
M 8 x 0.75	Power contacts			
	S 6/12	1.1 - 1.7	SW 2	
	S 8/0 (+ PE)	6 (10-16 mm ²) - 7 (25 mm ²)	SW 4	
M10 x 1	Power contacts			
	S 4/0 (Axial connection)	2 - 3	SW 3	

Increasing the tightening torque does not improve the contact resistance. The stated torque settings offer optimal mechanical, thermal and electrical conditions. Exceeding the recommended values may even damage the conductor and terminal.