

SAI-4-MH-5P M12

Weidmüller Interface GmbH & Co. KG

Klingenbergstraße 26

D-32758 Detmold

Germany

www.weidmueller.com



Cable gland: M25 for cables with an outer insulation diameter from 13 mm to 18 mm. The SAI distributor with M25 cable gland is suitable among others for the following cable types:

- 21 x 0.50 mm
- 18 x 0.75 mm bis 21 x 0.75 mm
- 14 x 100 mm bis 20 x 100 mm
- 8 x 1.50 mm bis 16 x 1.50 mm

General ordering data

Version	SAI Passive, Sensor-actuator passive distributor, M12, Hood version with M20 outlet, Yes
Order No.	1701232000
Type	SAI-4-MH-5P M12
GTIN (EAN)	4032248184477
Qty.	1 pc(s).

Creation date March 16, 2023 4:47:33 PM CET

Catalogue status 03.03.2023 / We reserve the right to make technical changes.

SAI-4-MH-5P M12

Weidmüller Interface GmbH & Co. KG

Klingenbergstraße 26

D-32758 Detmold

Germany

www.weidmueller.com

Technical data

Dimensions and weights

Depth	102 mm	Depth (inches)	4.016 inch
Height	55 mm	Height (inches)	2.165 inch
Width	60 mm	Width (inches)	2.362 inch
Net weight	486 g		

Temperatures

Operating temperature	-20 - 90°C	Operating temperature, min.	-20 °C
Operating temperature, max.	90 °C		

Connection data

Conductor O.D., min.	10 mm	Conductor O.D., max.	14 mm
Cable glands	M 20	Clamping range, min.	0.08 mm ²
Clamping range, max.	1.5 mm ²	Storage space	gross
Distributor outlet	Hood version with M20 outlet	Connection type PE	Screw connection

Electrical data

Rated voltage, min.	10 V	Rated voltage, max.	30 V
Test voltage	1 kV	Max. current-carrying capacity per slot	4 A
Total current	10 A	Current per signal	2 A
Electrical isolation available	Yes	Insulation strength	10 ⁹ Ω

General technical data

Plug-in station coding	A	Number of poles	5
Number of contact sockets	4	Connection thread	M12
Pollution severity	3	Fire behaviour	V-0
Plugging cycles	≤ 50	LED	Yes
LED initiator	Yes	LED colour for indicating operation	green
LED colour for I/O function	yellow		

Material data

Housing main material	Pocan (base module), Zinc diecast (hood)	Material of distributor	metal
Housing colour	silver	Hood sealing material	Polyurethane foamed
Screw socket	Nickel-plated CuZn	Contact material	CuZn
Contact surface	Gold-plated	Contact carrier material	PBT (UL 94 V0)

Technical data cable

Conductor O.D., max.	14 mm	Conductor O.D., min.	10 mm
Number of poles	5	Suitable for cable carriers	No

Classifications

ETIM 6.0	EC002585	ETIM 7.0	EC003558
ETIM 8.0	EC003558	ECLASS 9.0	27-44-01-08
ECLASS 9.1	27-44-01-08	ECLASS 10.0	27-44-01-11
ECLASS 11.0	27-44-01-11	ECLASS 12.0	27-44-01-11

SAI-4-MH-5P M12

Weidmüller Interface GmbH & Co. KG
Klingenbergstraße 26
D-32758 Detmold
Germany

www.weidmueller.com

Technical data**Environmental Product Compliance**

REACH SVHC Lead 7439-92-1

Approvals

Approvals



ROHS Conform

Downloads

Engineering Data	CAD data – STEP
Engineering Data	WSCAD
Catalogues	Catalogues in PDF-format
Brochures	FL FIELDWIRING EN FL FIELDWIRING EN

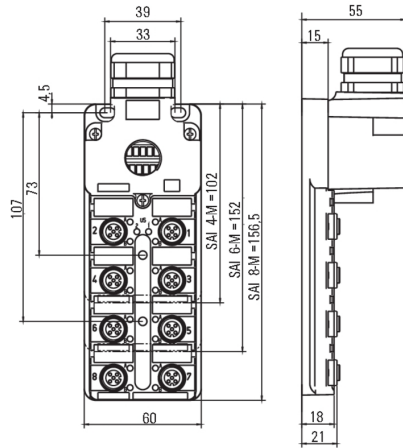
SAI-4-MH-5P M12

Weidmüller Interface GmbH & Co. KG
 Klingenbergstraße 26
 D-32758 Detmold
 Germany

www.weidmueller.com

Drawings

Dimensioned drawing



Wiring diagram

