

SAI-8-MH-5P M12

Weidmüller Interface GmbH & Co. KG

Klingenbergstraße 26

D-32758 Detmold

Germany

www.weidmueller.com



Cable gland: M25 for cables with an outer insulation diameter from 13 mm to 18 mm. The SAI distributor with M25 cable gland is suitable among others for the following cable types:

- 21 x 0.50 mm
- 18 x 0.75 mm bis 21 x 0.75 mm
- 14 x 100 mm bis 20 x 100 mm
- 8 x 1.50 mm bis 16 x 1.50 mm

General ordering data

| | |
|------------|--|
| Version | SAI Passive, Sensor-actuator passive distributor, M12, Hood version with M20 outlet, Yes |
| Order No. | 1701252000 |
| Type | SAI-8-MH-5P M12 |
| GTIN (EAN) | 4032248184491 |
| Qty. | 1 pc(s). |

Creation date March 16, 2023 4:48:29 PM CET

Catalogue status 03.03.2023 / We reserve the right to make technical changes.

SAI-8-MH-5P M12

Weidmüller Interface GmbH & Co. KG

Klingenbergstraße 26

D-32758 Detmold

Germany

www.weidmueller.com

Technical data

Dimensions and weights

| | | | |
|------------|--------|-----------------|------------|
| Depth | 152 mm | Depth (inches) | 5.984 inch |
| Height | 55 mm | Height (inches) | 2.165 inch |
| Width | 60 mm | Width (inches) | 2.362 inch |
| Net weight | 563 g | | |

Temperatures

| | | | |
|-----------------------------|------------|-----------------------------|--------|
| Operating temperature | -20 - 90°C | Operating temperature, min. | -20 °C |
| Operating temperature, max. | 90 °C | | |

Connection data

| | | | |
|----------------------|------------------------------|----------------------|----------------------|
| Conductor O.D., min. | 10 mm | Conductor O.D., max. | 14 mm |
| Cable glands | M 20 | Clamping range, min. | 0.08 mm ² |
| Clamping range, max. | 1.5 mm ² | Storage space | gross |
| Distributor outlet | Hood version with M20 outlet | Connection type PE | Screw connection |

Electrical data

| | | | |
|--------------------------------|------|---|-------------------|
| Rated voltage, min. | 10 V | Rated voltage, max. | 30 V |
| Test voltage | 1 kV | Max. current-carrying capacity per slot | 4 A |
| Total current | 10 A | Current per signal | 2 A |
| Electrical isolation available | Yes | Insulation strength | 10 ⁹ Ω |

General technical data

| | | | |
|-----------------------------|--------|-------------------------------------|-------|
| Plug-in station coding | A | Number of poles | 5 |
| Number of contact sockets | 8 | Connection thread | M12 |
| Pollution severity | 3 | Fire behaviour | V-0 |
| Plugging cycles | ≤ 50 | LED | Yes |
| LED initiator | Yes | LED colour for indicating operation | green |
| LED colour for I/O function | yellow | | |

Material data

| | | | |
|-----------------------|--|--------------------------|---------------------|
| Housing main material | Pocan (base module), Zinc diecast (hood) | Material of distributor | metal |
| Housing colour | silver | Hood sealing material | Polyurethane foamed |
| Screw socket | Nickel-plated CuZn | Contact material | CuZn |
| Contact surface | Gold-plated | Contact carrier material | PBT (UL 94 V0) |

Technical data cable

| | | | |
|----------------------|-------|-----------------------------|-------|
| Conductor O.D., max. | 14 mm | Conductor O.D., min. | 10 mm |
| Number of poles | 5 | Suitable for cable carriers | No |

Classifications

| | | | |
|-------------|-------------|-------------|-------------|
| ETIM 6.0 | EC002585 | ETIM 7.0 | EC003558 |
| ETIM 8.0 | EC003558 | ECLASS 9.0 | 27-44-01-08 |
| ECLASS 9.1 | 27-44-01-08 | ECLASS 10.0 | 27-44-01-11 |
| ECLASS 11.0 | 27-44-01-11 | ECLASS 12.0 | 27-44-01-11 |

SAI-8-MH-5P M12

Weidmüller Interface GmbH & Co. KG
Klingenbergstraße 26
D-32758 Detmold
Germany

www.weidmueller.com

Technical data**Environmental Product Compliance**

REACH SVHC Lead 7439-92-1

Approvals

Approvals



ROHS Conform

Downloads

| | |
|------------------|--|
| Engineering Data | CAD data – STEP |
| Engineering Data | WSCAD |
| Catalogues | Catalogues in PDF-format |
| Brochures | FL FIELDWIRING EN FL FIELDWIRING EN |

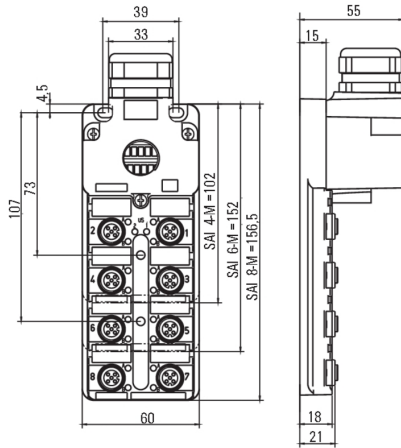
SAI-8-MH-5P M12

Weidmüller Interface GmbH & Co. KG
 Klingenbergstraße 26
 D-32758 Detmold
 Germany

www.weidmueller.com

Drawings

Dimensioned drawing



Wiring diagram

