

**SAI-4-MH-4P M12****Weidmüller Interface GmbH & Co. KG**

Klingenbergstraße 26

D-32758 Detmold

Germany

www.weidmueller.com



Cable gland: M25 for cables with an outer insulation diameter from 13 mm to 18 mm. The SAI distributor with M25 cable gland is suitable among others for the following cable types:

- 21 x 0.50 mm
- 18 x 0.75 mm bis 21 x 0.75 mm
- 14 x 100 mm bis 20 x 100 mm
- 8 x 1.50 mm bis 16 x 1.50 mm

**General ordering data**

Version	SAI Passive, Sensor-actuator passive distributor, M12, Hood version with M20 outlet, Yes
Order No.	<a href="#">1705922000</a>
Type	SAI-4-MH-4P M12
GTIN (EAN)	4032248184446
Qty.	1 pc(s).

Creation date March 16, 2023 4:49:11 PM CET

Catalogue status 03.03.2023 / We reserve the right to make technical changes.

## SAI-4-MH-4P M12

Weidmüller Interface GmbH &amp; Co. KG

Klingenbergstraße 26

D-32758 Detmold

Germany

www.weidmueller.com

## Technical data

## Dimensions and weights

Depth	102 mm	Depth (inches)	4.016 inch
Height	55 mm	Height (inches)	2.165 inch
Width	60 mm	Width (inches)	2.362 inch
Net weight	486 g		

## Temperatures

Operating temperature	-20 - 90°C	Operating temperature, min.	-20 °C
Operating temperature, max.	90 °C		

## Connection data

Conductor O.D., min.	10 mm	Conductor O.D., max.	14 mm
Cable glands	M 20	Clamping range, min.	0.08 mm <sup>2</sup>
Clamping range, max.	1.5 mm <sup>2</sup>	Storage space	gross
Distributor outlet	Hood version with M20 outlet	Connection type PE	Screw connection

## Electrical data

Rated voltage, min.	10 V	Rated voltage, max.	30 V
Test voltage	1 kV	Max. current-carrying capacity per slot	4 A
Total current	10 A	Current per signal	2 A
Electrical isolation available	Yes	Insulation strength	10 <sup>9</sup> Ω

## General technical data

Plug-in station coding	A	Number of poles	4
Number of contact sockets	4	Connection thread	M12
Pollution severity	3	Fire behaviour	V-0
Plugging cycles	≤ 50	LED	Yes
LED initiator	Yes	LED colour for indicating operation	green
LED colour for I/O function	yellow		

## Material data

Housing main material	Pocan (base module), Zinc diecast (hood)	Material of distributor	metal
Housing colour	silver	Hood sealing material	Polyurethane foamed
Screw socket	Nickel-plated CuZn	Contact material	CuZn
Contact surface	Gold-plated	Contact carrier material	PBT (UL 94 V0)

## Technical data cable

Conductor O.D., max.	14 mm	Conductor O.D., min.	10 mm
Number of poles	4	Suitable for cable carriers	No

## Classifications

ETIM 6.0	EC002585	ETIM 7.0	EC003558
ETIM 8.0	EC003558	ECLASS 9.0	27-44-01-08
ECLASS 9.1	27-44-01-08	ECLASS 10.0	27-44-01-11
ECLASS 11.0	27-44-01-11	ECLASS 12.0	27-44-01-11

**SAI-4-MH-4P M12**

**Weidmüller Interface GmbH & Co. KG**  
Klingenbergstraße 26  
D-32758 Detmold  
Germany

[www.weidmueller.com](http://www.weidmueller.com)

**Technical data****Environmental Product Compliance**

REACH SVHC Lead 7439-92-1

**Approvals**

Approvals



ROHS Conform

**Downloads**

Engineering Data	<a href="#">CAD data – STEP</a>
Engineering Data	<a href="#">WSCAD</a>
Catalogues	<a href="#">Catalogues in PDF-format</a>
Brochures	<a href="#">FL FIELDWIRING EN</a> <a href="#">FL FIELDWIRING EN</a>

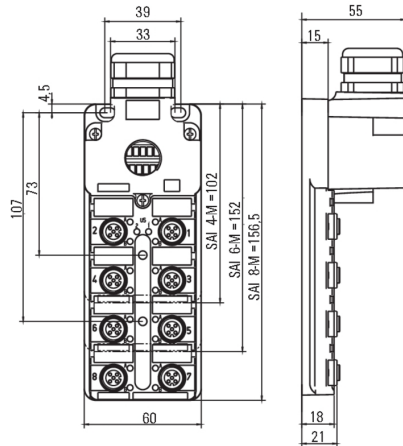
**SAI-4-MH-4P M12**

**Weidmüller Interface GmbH & Co. KG**  
 Klingenbergstraße 26  
 D-32758 Detmold  
 Germany

www.weidmueller.com

**Drawings**

**Dimensioned drawing**



**Wiring diagram**

