

**SAI-Y-5S B2-4 2M12**

**Weidmüller Interfaces GmbH & Co. KG**

Postfach 3030

32760 Detmold

Tel. +49 5231 14-0

Fax. +49 5231 14-2083

info@weidmueller.com

www.weidmueller.com



**General ordering data**

Version	Y connector, M12 / M12
Order No.	<a href="#">1783410000</a>
Type	SAI-Y-5S B2-4 2M12
GTIN (EAN)	4032248183340
Qty.	1 pc(s).

## SAI-Y-5S B2-4 2M12

Weidmüller Interfaces GmbH &amp; Co. KG

Postfach 3030

32760 Detmold

Tel. +49 5231 14-0

Fax. +49 5231 14-2083

info@weidmueller.com

www.weidmueller.com

## Technical data

## Dimensions and weights

Net weight	21.5 g	www.weidmueller.com
------------	--------	---------------------

## Connection data

Group outlet - plug-in connector	M12 pin	Single outlet 1 - plug-in connector	M12 socket
Single outlet 2 - plug-in connector	M12 socket	Tightening torque	M12: 0.8 - 1.2 Nm

## Technical data customisable plug-in connectors

Coding	A	Contact surface	Au (Gold)
Housing main material	PBT	Number of poles	5
Pollution severity	3	Protection degree	IP67
Rated current	4 A	Rated voltage	24 V
Shield connection	No	Temperature range of housing	-25...+90 °C

## Standards

Connector standard	IEC 61076-2-101
--------------------	-----------------

## General data

Coding	A	Conductor O.D.	-
Connection thread	M12 / M12	Contact material, pin	CuZn
Contact material, socket	CuSn	Contact surface	Au (Gold)
Housing main material	PBT	Number of poles	5
Pollution severity	3	Protection degree	IP67
Rated current	4 A	Rated voltage	24 V
Shield connection	No	Temperature range of housing	-25...+90 °C

## Classifications

ETIM 6.0	EC002925	ETIM 7.0	EC002925
ETIM 8.0	EC002925	ECLASS 9.0	27-44-01-06
ECLASS 9.1	27-44-01-06	ECLASS 10.0	27-44-01-06
ECLASS 11.0	27-44-01-06	ECLASS 12.0	27-44-01-06

## Environmental Product Compliance

REACH SVHC	Lead 7439-92-1
------------	----------------

## Approvals

Approvals



ROHS	Conform
------	---------

## Downloads

Engineering Data	<a href="#">CAD data – STEP</a>
Catalogues	<a href="#">Catalogues in PDF-format</a>
Brochures	<a href="#">FL FIELDWIRING EN</a> <a href="#">FL FIELDWIRING EN</a>

Creation date March 9, 2023 12:05:12 PM CET

Catalogue status 03.03.2023 / We reserve the right to make technical changes.

**SAI-Y-5S B2-4 2M12**

**Weidmüller Interfaces GmbH & Co. KG**

Postfach 3030

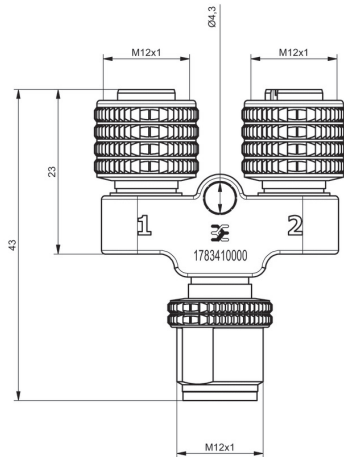
32760 Detmold

Tel. +49 5231 14-0

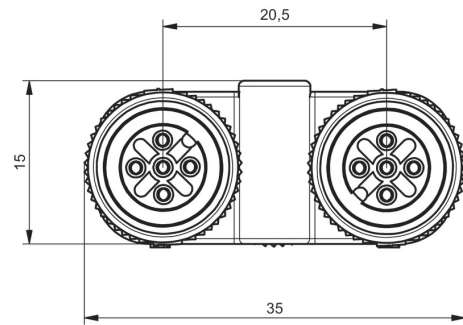
Fax. +49 5231 14-2083

**Drawings**

**Dimensioned drawing**



**Dimensioned drawing** [info@weidmueller.com](mailto:info@weidmueller.com)



**Wiring diagram**

1. Female M12      2. Female M12

