

**SAI-Y-4-4/2-4 M12/8**

**Weidmüller Interfaces GmbH & Co. KG**

Postfach 3030

32760 Detmold

Tel. +49 5231 14-0

Fax. +49 5231 14-2083

info@weidmueller.com

www.weidmueller.com



**General ordering data**

Version	Y-plug, M12 / M8
Order No.	<a href="#">1783420000</a>
Type	SAI-Y-4-4/2-4 M12/8
GTIN (EAN)	4032248183357
Qty.	1 pc(s).

## SAI-Y-4-4/2-4 M12/8

Weidmüller Interfaces GmbH &amp; Co. KG

Postfach 3030

32760 Detmold

Tel. +49 5231 14-0

Fax. +49 5231 14-2083

info@weidmueller.com

www.weidmueller.com

## Technical data

## Dimensions and weights

Net weight	17 g	www.weidmueller.com
------------	------	---------------------

## Connection data

Group outlet - plug-in connector	M12 pin	Single outlet 1 - plug-in connector	M8 socket
Single outlet 2 - plug-in connector	M8 socket	Tightening torque	M8: 0.5 - 0.6 Nm, M12: 0.8 - 1.2 Nm

## Technical data customisable plug-in connectors

Coding	M12 = A, M8 = none	Contact surface	Au (Gold)
Housing main material	PBT	Number of poles	4
Pollution severity	3	Protection degree	IP67
Rated current	4 A	Rated voltage	24 V
Shield connection	No	Temperature range of housing	-25...+90 °C

## Standards

Connector standard	IEC 61076-2-101, IEC 61076-2-104
--------------------	-------------------------------------

## General data

Coding	M12 = A, M8 = none	Conductor O.D.	-
Connection thread	M12 / M8	Contact material, pin	CuZn
Contact material, socket	CuZn	Contact surface	Au (Gold)
Housing main material	PBT	Number of poles	4
Pollution severity	3	Protection degree	IP67
Rated current	4 A	Rated voltage	24 V
Shield connection	No	Temperature range of housing	-25...+90 °C

## Classifications

ETIM 6.0	EC002925	ETIM 7.0	EC002925
ETIM 8.0	EC002925	ECLASS 9.0	27-44-01-06
ECLASS 9.1	27-44-01-06	ECLASS 10.0	27-44-01-06
ECLASS 11.0	27-44-01-06	ECLASS 12.0	27-44-01-06

## Environmental Product Compliance

REACH SVHC	Lead 7439-92-1
------------	----------------

## Approvals

Approvals



ROHS	Conform
------	---------

**Data sheet****SAI-Y-4-4/2-4 M12/8****Weidmüller Interfaces GmbH & Co. KG**

Postfach 3030

32760 Detmold

Tel. +49 5231 14-0

Fax. +49 5231 14-2083

[info@weidmueller.com](mailto:info@weidmueller.com)[www.weidmueller.com](http://www.weidmueller.com)**Technical data****Downloads**

Engineering Data	<a href="#">CAD data – STEP</a>
Engineering Data	<a href="#">WSCAD, Zuken E3.S</a>
Catalogues	<a href="#">Catalogues in PDF-format</a>
Brochures	<a href="#">FL FIELDWIRING EN</a> <a href="#">FL FIELDWIRING EN</a>

**SAI-Y-4-4/2-4 M12/8**

**Weidmüller Interfaces GmbH & Co. KG**

Postfach 3030

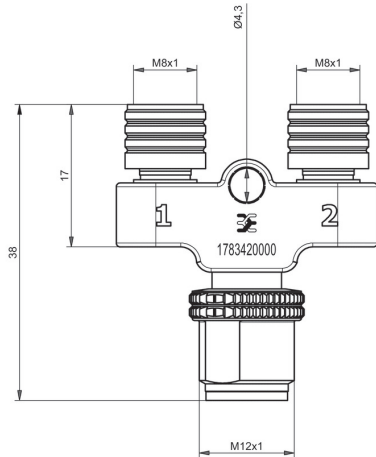
32760 Detmold

Tel. +49 5231 14-0

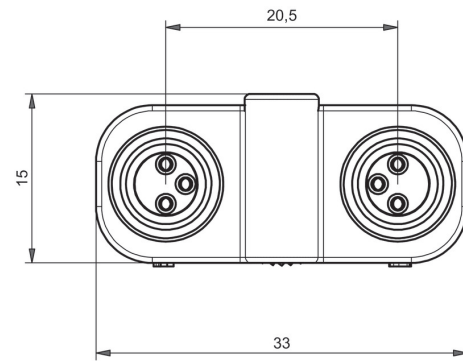
Fax. +49 5231 14-2083

**Drawings**

**Dimensioned drawing**



**Dimensioned drawing** [info@weidmueller.com](mailto:info@weidmueller.com)



**Wiring diagram**

