

SAI-Y-5S PARA 2M12

Weidmüller Interfaces GmbH & Co. KG

Postfach 3030

32760 Detmold

Tel. +49 5231 14-0

Fax. +49 5231 14-2083

info@weidmueller.com

www.weidmueller.com



General ordering data

| | |
|------------|----------------------------|
| Version | Y-plug, M12 / M12 |
| Order No. | 1783430000 |
| Type | SAI-Y-5S PARA 2M12 |
| GTIN (EAN) | 4032248183364 |
| Qty. | 1 pc(s). |

SAI-Y-5S PARA 2M12

Weidmüller Interfaces GmbH & Co. KG

Postfach 3030

32760 Detmold

Tel. +49 5231 14-0

Fax. +49 5231 14-2083

info@weidmueller.com

www.weidmueller.com

Technical data**Dimensions and weights**

| | | |
|------------|------|---------------------|
| Net weight | 23 g | www.weidmueller.com |
|------------|------|---------------------|

Connection data

| | | | |
|-------------------------------------|------------|-------------------------------------|-------------------|
| Group outlet - plug-in connector | M12 pin | Single outlet 1 - plug-in connector | M12 socket |
| Single outlet 2 - plug-in connector | M12 socket | Tightening torque | M12: 0.8 - 1.2 Nm |

Technical data customisable plug-in connectors

| | | | |
|-----------------------|-----|------------------------------|--------------|
| Coding | A | Contact surface | Au (Gold) |
| Housing main material | PBT | Number of poles | 5 |
| Pollution severity | 3 | Protection degree | IP67 |
| Rated current | 4 A | Rated voltage | 24 V |
| Shield connection | No | Temperature range of housing | -25...+90 °C |

Standards

| | |
|--------------------|-----------------|
| Connector standard | IEC 61076-2-101 |
|--------------------|-----------------|

General data

| | | | |
|--------------------------|-----------|------------------------------|--------------|
| Coding | A | Conductor O.D. | - |
| Connection thread | M12 / M12 | Contact material, pin | CuZn |
| Contact material, socket | CuZn | Contact surface | Au (Gold) |
| Housing main material | PBT | Number of poles | 5 |
| Pollution severity | 3 | Protection degree | IP67 |
| Rated current | 4 A | Rated voltage | 24 V |
| Shield connection | No | Temperature range of housing | -25...+90 °C |

Classifications

| | | | |
|-------------|-------------|-------------|-------------|
| ETIM 6.0 | EC002925 | ETIM 7.0 | EC002925 |
| ETIM 8.0 | EC002925 | ECLASS 9.0 | 27-44-01-06 |
| ECLASS 9.1 | 27-44-01-06 | ECLASS 10.0 | 27-44-01-06 |
| ECLASS 11.0 | 27-44-01-06 | ECLASS 12.0 | 27-44-01-06 |

Environmental Product Compliance

| | |
|------------|----------------|
| REACH SVHC | Lead 7439-92-1 |
|------------|----------------|

Approvals

Approvals



| | |
|------|---------|
| ROHS | Conform |
|------|---------|

Downloads

| | |
|------------------|--|
| Engineering Data | CAD data – STEP |
| Catalogues | Catalogues in PDF-format |
| Brochures | FL FIELDWIRING EN FL FIELDWIRING EN |

Creation date March 9, 2023 12:05:31 PM CET

Catalogue status 03.03.2023 / We reserve the right to make technical changes.

SAI-Y-5S PARA 2M12

Weidmüller Interfaces GmbH & Co. KG

Postfach 3030

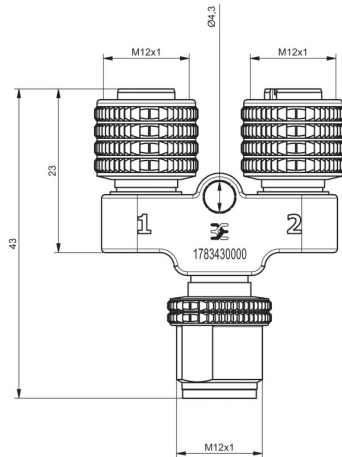
32760 Detmold

Tel. +49 5231 14-0

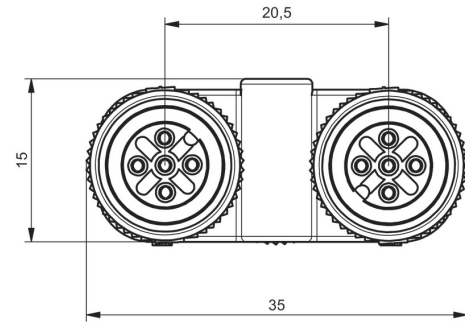
Fax. +49 5231 14-2083

Drawings

Dimensioned drawing

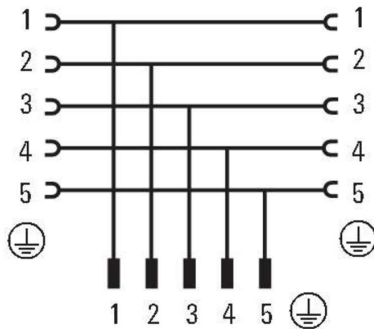


Dimensioned drawing info@weidmueller.com



Wiring diagram

1. Female M12 2. Female M12



Male M12