

SAI-10L-VPFC-3A-M08L-PNP-10U04

Weidmüller Interface GmbH & Co. KG
 Klingenbergstraße 26
 D-32758 Detmold
 Germany

www.weidmueller.com



The new slim M8 line from Weidmüller. This range of products is characterised by the marking options at all connection positions. Even the 4-way distributor with 8-pole M12 has adequately large markers at all M8 connection positions. Furthermore, this distributor is shorter than many conventional M8 designs.

- Very narrow, short and flat M8 distributor.
- The range is supplied with 4 to 12 M8 connection positions, 3 or 4 poles.
- Hybrid variants of the M8 are also possible on request.
- The M8 line is equipped with transverse holes.

General ordering data

Version	SAI Passive, Sensor-actuator passive distributor, M8, Fixed cable version, 10 m, Yes
Order No.	1828650000
Type	SAI-10L-VPFC-3A-M08L-PNP-10U04
GTIN (EAN)	4032248335190
Qty.	1 pc(s).

Creation date March 16, 2023 5:26:15 PM CET

Catalogue status 03.03.2023 / We reserve the right to make technical changes.

SAI-10L-VPFC-3A-M08L-PNP-10U04

Weidmüller Interface GmbH & Co. KG

Klingenbergstraße 26

D-32758 Detmold

Germany

www.weidmueller.com

Technical data

Dimensions and weights

Depth	18.2 mm	Depth (inches)	0.717 inch
Height	170 mm	Height (inches)	6.693 inch
Width	24 mm	Width (inches)	0.945 inch
Net weight	936 g		

Temperatures

Operating temperature	-25 - 80°C	Operating temperature, min.	-25 °C
Operating temperature, max.	80 °C		

Connection data

Sheathing stripping length	100 mm	Distributor outlet	Fixed cable version
----------------------------	--------	--------------------	---------------------

Electrical data

Rated voltage, min.	10 V	Rated voltage, max.	30 V
Test voltage	1 kV	Max. current-carrying capacity per slot	2 A
Total current	6 A	Current per signal	1 A
Insulation strength	10 ⁹ Ω		

General technical data

Protection degree	IP68	Number of poles	3
Number of contact sockets	10	Connection thread	M8
Pollution severity	3	Fire behaviour	V-0
LED	Yes	LED initiator	Yes
LED colour for indicating operation	green	LED colour for I/O function	yellow

Material data

Material O-Ring	FKM	Housing main material	PBT
Material of distributor	Plastic	Housing colour	black (similar to RAL 9005)
Screw socket	Nickel-plated CuZn	Contact material	CuZn
Contact surface	Gold-plated	Contact carrier material	PBT (UL 94 V0)

Technical data cable

Number of poles	3	Cable length	10 m
Suitable for cable carriers	Yes		

Classifications

ETIM 6.0	EC002585	ETIM 7.0	EC002585
ETIM 8.0	EC002585	ECLASS 9.0	27-44-01-08
ECLASS 9.1	27-44-01-08	ECLASS 10.0	27-44-01-08
ECLASS 11.0	27-44-01-08	ECLASS 12.0	27-44-01-08

Environmental Product Compliance

REACH SVHC	Lead 7439-92-1
SCIP	4060c755-8d0b-4d43-bdb3-4ffabe9d7497

Data sheet

SAI-10L-VPFC-3A-M08L-PNP-10U04

Weidmüller Interface GmbH & Co. KG
 Klingenbergstraße 26
 D-32758 Detmold
 Germany

www.weidmueller.com

Technical data

Approvals

Approvals



ROHS	Conform
UL File Number Search	UL Website
Certificate No. (cURus)	E92202

Downloads

Engineering Data	CAD data – STEP
Engineering Data	WSCAD
Product Change Notification	20211208 Technical change to SAI M8 Line Distribution Boxes 20211208 Technische Änderung zu SAI M8 Line Verteiler
Catalogues	Catalogues in PDF-format
Brochures	FL FIELDWIRING EN FL FIELDWIRING EN

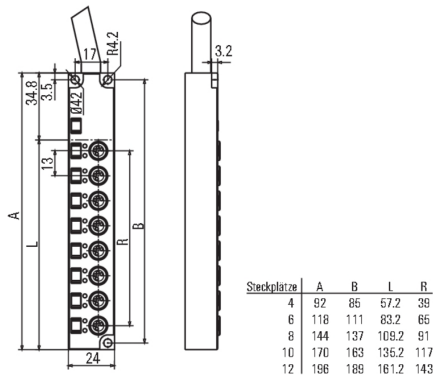
SAI-10L-VPFC-3A-M08L-PNP-10U04

Weidmüller Interface GmbH & Co. KG
 Klingenbergstraße 26
 D-32758 Detmold
 Germany

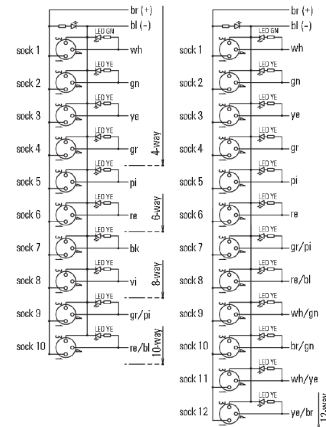
www.weidmueller.com

Drawings

Dimensioned drawing



Wiring diagram



Pole scheme

