

**SAI-10L-VPFC-3A-M08L-PNP-05U04****Weidmüller Interface GmbH & Co. KG**

Klingenbergstraße 26

D-32758 Detmold

Germany

www.weidmueller.com



The new slim M8 line from Weidmüller. This range of products is characterised by the marking options at all connection positions. Even the 4-way distributor with 8-pole M12 has adequately large markers at all M8 connection positions. Furthermore, this distributor is shorter than many conventional M8 designs.

- Very narrow, short and flat M8 distributor.
- The range is supplied with 4 to 12 M8 connection positions, 3 or 4 poles.
- Hybrid variants of the M8 are also possible on request.
- The M8 line is equipped with transverse holes.

**General ordering data**

|            |   |
|------------|---|
| Version    | SAI Passive, Sensor-actuator passive distributor, M8, Fixed cable version, 5 m, Yes |
| Order No.  | <a href="#">1828660000</a>  |
| Type       | SAI-10L-VPFC-3A-M08L-PNP-05U04  |
| GTIN (EAN) | 4032248335206   |
| Qty.       | 1 pc(s).  |

Creation date March 16, 2023 5:26:26 PM CET

Catalogue status 03.03.2023 / We reserve the right to make technical changes.

## SAI-10L-VPFC-3A-M08L-PNP-05U04

Weidmüller Interface GmbH &amp; Co. KG

Klingenbergstraße 26

D-32758 Detmold

Germany

www.weidmueller.com

## Technical data

## Dimensions and weights

|            |         |                 |            |
|------------|---------|-----------------|------------|
| Depth      | 18.2 mm | Depth (inches)  | 0.717 inch |
| Height     | 170 mm  | Height (inches) | 6.693 inch |
| Width      | 24 mm   | Width (inches)  | 0.945 inch |
| Net weight | 543 g   |                 |            |

## Temperatures

|                             |            |                             |        |
|-----------------------------|------------|-----------------------------|--------|
| Operating temperature       | -25 - 80°C | Operating temperature, min. | -25 °C |
| Operating temperature, max. | 80 °C      |                             |        |

## Connection data

|                            |        |                    |                     |
|----------------------------|--------|--------------------|---------------------|
| Sheathing stripping length | 100 mm | Distributor outlet | Fixed cable version |
|----------------------------|--------|--------------------|---------------------|

## Electrical data

|                     |                   |   |      |
|---------------------|-------------------|---|------|
| Rated voltage, min. | 10 V              | Rated voltage, max.                     | 30 V |
| Test voltage        | 1 kV              | Max. current-carrying capacity per slot | 2 A  |
| Total current       | 6 A               | Current per signal                      | 1 A  |
| Insulation strength | 10 <sup>9</sup> Ω |   |      |

## General technical data

|                                     |       |                             |        |
|-------------------------------------|-------|-----------------------------|--------|
| Protection degree                   | IP68  | Number of poles             | 3      |
| Number of contact sockets           | 10    | Connection thread           | M8     |
| Pollution severity                  | 3     | Fire behaviour              | V-0    |
| LED                                 | Yes   | LED initiator               | Yes    |
| LED colour for indicating operation | green | LED colour for I/O function | yellow |

## Material data

|                         |                    |                          |                             |
|-------------------------|--------------------|--------------------------|-----------------------------|
| Material O-Ring         | FKM                | Housing main material    | PBT                         |
| Material of distributor | Plastic            | Housing colour           | black (similar to RAL 9005) |
| Screw socket            | Nickel-plated CuZn | Contact material         | CuZn                        |
| Contact surface         | Gold-plated        | Contact carrier material | PBT (UL 94 V0)              |

## Technical data cable

|                             |     |              |     |
|-----------------------------|-----|--------------|-----|
| Number of poles             | 3   | Cable length | 5 m |
| Suitable for cable carriers | Yes |              |     |

## Classifications

|             |             |             |             |
|-------------|-------------|-------------|-------------|
| ETIM 6.0    | EC002585    | ETIM 7.0    | EC002585    |
| ETIM 8.0    | EC002585    | ECLASS 9.0  | 27-44-01-08 |
| ECLASS 9.1  | 27-44-01-08 | ECLASS 10.0 | 27-44-01-08 |
| ECLASS 11.0 | 27-44-01-08 | ECLASS 12.0 | 27-44-01-08 |

## Environmental Product Compliance

|            |                                      |
|------------|--------------------------------------|
| REACH SVHC | Lead 7439-92-1                       |
| SCIP       | 4060c755-8d0b-4d43-bdb3-4ffabe9d7497 |

**Data sheet**

**SAI-10L-VPFC-3A-M08L-PNP-05U04**

**Weidmüller Interface GmbH & Co. KG**  
 Klingenbergstraße 26  
 D-32758 Detmold  
 Germany

www.weidmueller.com

**Technical data**

**Approvals**

Approvals



|                         |            |
|-------------------------|------------|
| ROHS                    | Conform    |
| UL File Number Search   | UL Website |
| Certificate No. (cURus) | E92202     |

**Downloads**

|                             |  |
|-----------------------------|--|
| Engineering Data            | <a href="#">CAD data – STEP</a>  |
| Engineering Data            | <a href="#">WSCAD</a>  |
| Product Change Notification | <a href="#">20211208 Technical change to SAI M8 Line Distribution Boxes</a><br><a href="#">20211208 Technische Änderung zu SAI M8 Line Verteiler</a> |
| Catalogues                  | <a href="#">Catalogues in PDF-format</a>   |
| Brochures                   | <a href="#">FL FIELDWIRING EN</a><br><a href="#">FL FIELDWIRING EN</a>   |

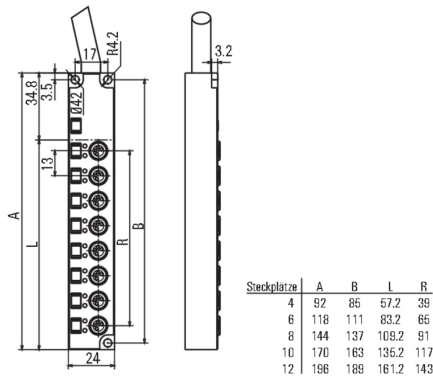
**SAI-10L-VPFC-3A-M08L-PNP-05U04**

**Weidmüller Interface GmbH & Co. KG**  
 Klängenbergsstraße 26  
 D-32758 Detmold  
 Germany

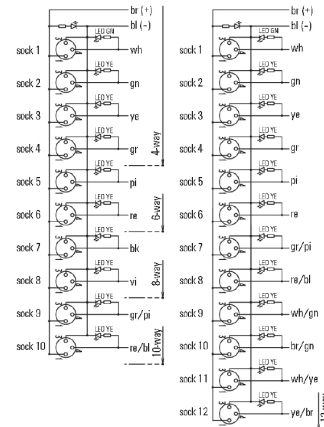
www.weidmueller.com

**Drawings**

**Dimensioned drawing**



**Wiring diagram**



**Pole scheme**

