

SAI-08L-VPFC-3A-M08L-PNP-05U03

Weidmüller Interface GmbH & Co. KG
 Klingenbergstraße 26
 D-32758 Detmold
 Germany

www.weidmueller.com



The new slim M8 line from Weidmüller. This range of products is characterised by the marking options at all connection positions. Even the 4-way distributor with 8-pole M12 has adequately large markers at all M8 connection positions. Furthermore, this distributor is shorter than many conventional M8 designs.

- Very narrow, short and flat M8 distributor.
- The range is supplied with 4 to 12 M8 connection positions, 3 or 4 poles.
- Hybrid variants of the M8 are also possible on request.
- The M8 line is equipped with transverse holes.

General ordering data

| | |
|------------|---|
| Version | SAI Passive, Sensor-actuator passive distributor, M8, Fixed cable version, 5 m, Yes |
| Order No. | 1828680000 |
| Type | SAI-08L-VPFC-3A-M08L-PNP-05U03 |
| GTIN (EAN) | 4032248335329 |
| Qty. | 1 pc(s). |

Creation date March 16, 2023 5:26:45 PM CET

Catalogue status 03.03.2023 / We reserve the right to make technical changes.

SAI-08L-VPFC-3A-M08L-PNP-05U03

Weidmüller Interface GmbH & Co. KG

Klingenbergstraße 26

D-32758 Detmold

Germany

www.weidmueller.com

Technical data

Dimensions and weights

| | | | |
|------------|---------|-----------------|------------|
| Depth | 18.2 mm | Depth (inches) | 0.717 inch |
| Height | 144 mm | Height (inches) | 5.669 inch |
| Width | 24 mm | Width (inches) | 0.945 inch |
| Net weight | 487 g | | |

Temperatures

| | | | |
|-----------------------------|------------|-----------------------------|--------|
| Operating temperature | -25 - 80°C | Operating temperature, min. | -25 °C |
| Operating temperature, max. | 80 °C | | |

Connection data

| | | | |
|----------------------------|--------|--------------------|---------------------|
| Sheathing stripping length | 100 mm | Distributor outlet | Fixed cable version |
|----------------------------|--------|--------------------|---------------------|

Electrical data

| | | | |
|---------------------|-------------------|---|------|
| Rated voltage, min. | 10 V | Rated voltage, max. | 30 V |
| Test voltage | 1 kV | Max. current-carrying capacity per slot | 2 A |
| Total current | 6 A | Current per signal | 1 A |
| Insulation strength | 10 ⁹ Ω | | |

General technical data

| | | | |
|-------------------------------------|-------|-----------------------------|--------|
| Protection degree | IP68 | Number of poles | 3 |
| Number of contact sockets | 8 | Connection thread | M8 |
| Pollution severity | 3 | Fire behaviour | V-0 |
| LED | Yes | LED initiator | Yes |
| LED colour for indicating operation | green | LED colour for I/O function | yellow |

Material data

| | | | |
|-------------------------|--------------------|--------------------------|-----------------------------|
| Material O-Ring | FKM | Housing main material | PBT |
| Material of distributor | Plastic | Housing colour | black (similar to RAL 9005) |
| Screw socket | Nickel-plated CuZn | Contact material | CuZn |
| Contact surface | Gold-plated | Contact carrier material | PBT (UL 94 V0) |

Technical data cable

| | | | |
|-----------------------------------|---|------------------------------|---------------------|
| Bending cycles | 2 Mio | Bending radius, min., moving | 10 x cable diameter |
| Halogen | No | Number of poles | 3 |
| O.D. | 7.4 mm | Sheath material | PUR |
| Sheathing colour | black | Shielded | No |
| Wire cross section (Print/Online) | 8 x 0.34 mm ² + 2 x 0.75 mm ² | Cable length | 5 m |
| Suitable for cable carriers | Yes | | |

Classifications

| | | | |
|-------------|-------------|-------------|-------------|
| ETIM 6.0 | EC002585 | ETIM 7.0 | EC002585 |
| ETIM 8.0 | EC002585 | ECLASS 9.0 | 27-44-01-08 |
| ECLASS 9.1 | 27-44-01-08 | ECLASS 10.0 | 27-44-01-08 |
| ECLASS 11.0 | 27-44-01-08 | ECLASS 12.0 | 27-44-01-08 |

Creation date March 16, 2023 5:26:45 PM CET

Catalogue status 03.03.2023 / We reserve the right to make technical changes.

2

SAI-08L-VPFC-3A-M08L-PNP-05U03

Weidmüller Interface GmbH & Co. KG

Klingenbergstraße 26

D-32758 Detmold

Germany

www.weidmueller.com

Technical data

Environmental Product Compliance

| | |
|------------|--------------------------------------|
| REACH SVHC | Lead 7439-92-1 |
| SCIP | 4060c755-8d0b-4d43-bdb3-4ffabe9d7497 |

Approvals

Approvals



| | |
|-------------------------|------------|
| ROHS | Conform |
| UL File Number Search | UL Website |
| Certificate No. (cURus) | E92202 |

Downloads

| | |
|-----------------------------|--|
| Engineering Data | CAD data – STEP |
| Engineering Data | WSCAD, Zuken E3.S |
| Product Change Notification | 20211208 Technical change to SAI M8 Line Distribution Boxes 20211208 Technische Änderung zu SAI M8 Line Verteiler |
| Catalogues | Catalogues in PDF-format |
| Brochures | FL FIELDWIRING EN FL FIELDWIRING EN |

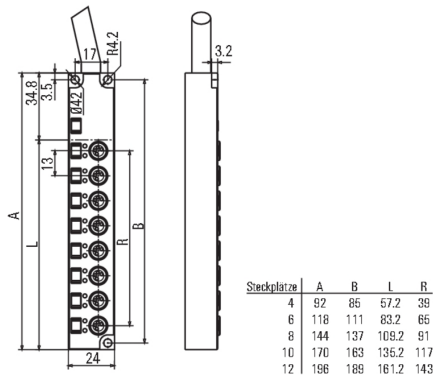
SAI-08L-VPFC-3A-M08L-PNP-05U03

Weidmüller Interface GmbH & Co. KG
 Klängenbergsstraße 26
 D-32758 Detmold
 Germany

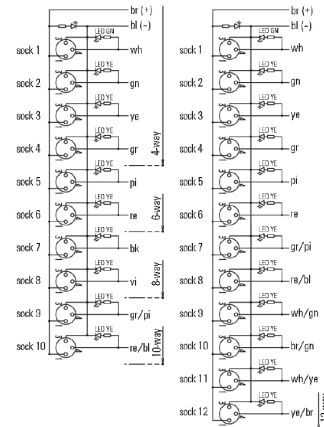
www.weidmueller.com

Drawings

Dimensioned drawing



Wiring diagram



Pole scheme

