

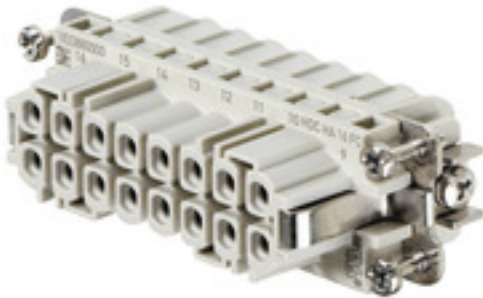
HDC HA 16 FC**Weidmüller Interface GmbH & Co. KG**

Klingenbergstraße 26

D-32758 Detmold

Germany

www.weidmueller.com



The small and thin HA series can be used wherever space is limited.

The wire connection level is designed as a crimp contact.

The established crimp connection has been used as a standard for decades.

Crimp contacts are not delivered with the inserts.

Pole count: 16

Rated current: 22 A

Rated voltage 250 V

Nominal voltage acc. to UL/CSA: 600 V AC/DC

Crimp connection

General ordering data

Version	HDC insert, Female, 250 V, 16 A, Number of poles: 16, Crimp connection, Size: 5
Order No.	1873880000
Type	HDC HA 16 FC
GTIN (EAN)	4032248458394
Qty.	1 pc(s).

Creation date March 1, 2023 12:57:50 PM CET

Catalogue status 18.02.2023 / We reserve the right to make technical changes.

HDC HA 16 FC

Weidmüller Interface GmbH & Co. KG

Klingenbergstraße 26

D-32758 Detmold

Germany

www.weidmueller.com

Technical data

Dimensions and weights

Depth	73 mm	Depth (inches)	2.874 inch
Height	31.1 mm	Height (inches)	1.224 inch
Width	23 mm	Width (inches)	0.906 inch
Net weight	35 g		

Temperatures

Limit temperature	-40 °C ... 125 °C
-------------------	-------------------

Dimensions

Height of socket	31.1 mm	Total length base	73 mm
Width	23 mm		

General data

BG	5	Conductor cross-section	2.5 mm ²
Insulating material	PC glass-fibre reinforced (UL-listed and railway-certified)	Insulating material group	IIIa
Insulation strength	10 ¹⁰ Ω	Material	Copper alloy
Number of poles	16	Plugging cycles, gold	≥ 500
Plugging cycles, silver	≥ 500	Pollution severity	3
Rated current (DIN EN 61984)	16 A	Rated impulse voltage (DIN EN 61984)	4 kV
Rated voltage (DIN EN 61984)	250 V	Rated voltage according to UL/CSA	600 V AC/DC
Series	HA	Size	5
Type	Female	UL 94 flammability rating	V-0
Volume resistance	≤2 mΩ		

Connection data PE

Blade size, crosshead	size PH1	Blade size, slotted (PE connection)	SD 0.8 x 4.0
Connection type PE	Screw connection	Fixing screw	M 4
Rated cross-section	2.5 mm ²	Stripping length PE connection	10 mm
Tightening torque, max. PE connection	1.5 Nm	Tightening torque, min. PE connection	1.2 Nm
Wire cross section, AWG (PE), max.	AWG 14	Wire cross section, AWG (PE), min.	AWG 20

Version

BG	5	Conductor cross-section, max.	4 mm ²
Conductor cross-section, min.	0.5 mm ²	Material	Copper alloy
Size	5	Stripping length, rated connection	8 mm
Type of connection	Crimp connection	Volume resistance	≤2 mΩ
Wire connection cross section AWG, max.	AWG 12	Wire connection cross section AWG, min.	AWG 20
Wire connection cross section, finely stranded, max.	2.5 mm ²	Wire connection cross section, finely stranded, min.	0.5 mm ²
Wire connection cross-section, finely stranded with wire-end ferrules DIN 46228/4, max.	2.5 mm ²	Wire connection cross-section, finely stranded with wire-end ferrules DIN 46228/4, min.	0.5 mm ²
Wire cross-section, solid, max.	2.5 mm ²	Wire cross-section, solid, min.	0.5 mm ²

HDC HA 16 FC

Weidmüller Interface GmbH & Co. KG

Klingenbergstraße 26

D-32758 Detmold

Germany

www.weidmueller.com

Technical data

Classifications

ETIM 6.0	EC000438	ETIM 7.0	EC000438
ETIM 8.0	EC000438	ECLASS 9.0	27-44-02-05
ECLASS 9.1	27-44-02-05	ECLASS 10.0	27-44-02-05
ECLASS 11.0	27-44-02-05	ECLASS 12.0	27-44-02-05

Substance	Acetone
Chemical resistance	Resistant
Substance	Ammonia, watery
Chemical resistance	Conditionally resistant
Substance	Petrol
Chemical resistance	Resistant
Substance	Benzene
Chemical resistance	Resistant
Substance	Diesel oil
Chemical resistance	Conditionally resistant
Substance	Acetic acid, concentrated
Chemical resistance	Resistant
Substance	Potassium hydroxide
Chemical resistance	Conditionally resistant
Substance	Methanol
Chemical resistance	Conditionally resistant
Substance	Motor oil
Chemical resistance	Conditionally resistant
Substance	Lye, diluted
Chemical resistance	Resistant
Substance	Hydrochlorofluorocarbons
Chemical resistance	Conditionally resistant
Substance	Outdoor use
Chemical resistance	Conditionally resistant

Environmental Product Compliance

REACH SVHC	Lead 7439-92-1 Potassium perfluorobutane sulfonate 29420-49-3
SCIP	b67daa31-7dca-434d-8290-da7fb52f83a2
Chemical resistance	de.myview.objectmodel.impl.BlockImpl@3094d78f de.myview.objectmodel.impl.BlockImpl@54daefbe de.myview.objectmodel.impl.BlockImpl@6a3f3c7c de.myview.objectmodel.impl.BlockImpl@283cfb1 de.myview.objectmodel.impl.BlockImpl@3e026c96 de.myview.objectmodel.impl.BlockImpl@3d26c3f7 de.myview.objectmodel.impl.BlockImpl@2ee9c4f3 de.myview.objectmodel.impl.BlockImpl@616f7ee9 de.myview.objectmodel.impl.BlockImpl@4ca4c88e de.myview.objectmodel.impl.BlockImpl@47969396 de.myview.objectmodel.impl.BlockImpl@273819cb de.myview.objectmodel.impl.BlockImpl@3dbaa3f3

HDC HA 16 FC

Weidmüller Interface GmbH & Co. KG
 Klingenbergstraße 26
 D-32758 Detmold
 Germany

www.weidmueller.com

Technical data

Approvals

Approvals



ROHS	Conform
UL File Number Search	UL Website
Certificate No. (cURus)	E92202

Downloads

Engineering Data	CAD data – STEP
Engineering Data	WSCAD
Technical Documentation	1873880000 HDC HA 16 FC STP Blatt_1.pdf
Catalogues	Catalogues in PDF-format
Brochures	FL FIELDWIRING EN FL FIELDWIRING EN

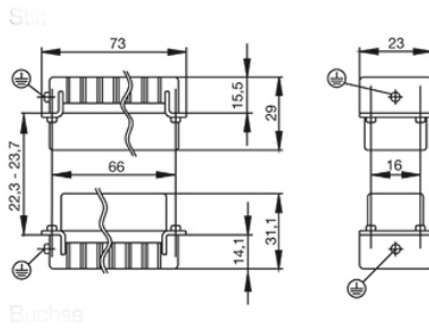
HDC HA 16 FC

Weidmüller Interface GmbH & Co. KG
Klingenbergstraße 26
D-32758 Detmold
Germany

www.weidmueller.com

Drawings

Abmessungen



Tightening torques and screwing tools

Screw size	Connector type	Dia. tightening torque in Nm	Recommended blade inserts and AF size for hexagon socket
M 2.5	Signal contacts		
	S 6/6	0.5 - 0.55	SD 0.6 x 3.5 mm or PZ0
	S 6/12	0.5 - 0.55	SD 0.6 x 3.5 mm or PZ0
M 2.9 x 0.5	Fastening screws		
	HQ 4/2	0.8 (plastic) / 1.1 (metal)	SD 0.6 x 3.5 mm or PH0
	HQ 8	0.8 (plastic) / 1.1 (metal)	SD 0.6 x 3.5 mm or PH0
	HQ 17	0.8 (plastic) / 1.1 (metal)	SD 0.6 x 3.5 mm or PH0
M 3	Contact screws		
	HA 3	0.5 - 0.55	SD 0.5 x 3.0 mm
	HA 4	0.5 - 0.55	SD 0.5 x 3.0 mm
	HA 10 bis HA 48	0.5 - 0.55	SD 0.6 x 3.5 mm or PH0
	HE	0.5 - 0.55	SD 0.6 x 3.5 mm or PZ0
	HVE	0.5 - 0.55	SD 0.6 x 3.5 mm or PZ0
	Signal contacts:		
	S 4/2	0.5 - 0.55	SD 0.6 x 3.5 mm or PZ0
	S 4/8	0.5 - 0.55	SD 0.6 x 3.5 mm or PZ0
	PE connection via female contact		
	S 4	0.5 - 0.8	SD 0.6 x 3.5 mm
	ConCept modular frame, metal	0.5 - 0.55	SD 0.6 x 3.5 mm
	PE terminal		
	HQ 5	0.5 - 0.55	SD 0.6 x 3.5 or 0.8 x 4 mm
	HQ 7	0.5 - 0.55	SD 0.6 x 3.5 or 0.8 x 4 mm
	Fastening screws	0.5 - 0.55	SD 0.6 x 3.5 mm or PZ0
	Guide pin	0.5 - 0.55	SD 0.6 x 3.5 mm or PZ0
	Guide bush	0.5 - 0.55	SD 0.6 x 3.5 mm or PZ0
	Coding pins	0.5 - 0.55	SD 0.6 x 3.5 mm or PZ0
	M 4	Contact screws	
HSB		1.2 - 1.5	SD 0.6 x 3.5 or 0.8 x 4 mm or PZ1
PE connection via male contact			
S 4		0.5 - 0.8	SD 0.6 x 3.5 mm
ConCept modular frame, metal		1.2 - 1.5	SD 0.6 x 3.5 mm
PE terminal			
HA		1.2 - 1.5	SD 0.6 x 3.5 or 0.8 x 4 mm or PH1
HE		1.2 - 1.5	SD 0.6 x 3.5 or 0.8 x 4 mm or PH1
HEE		1.2 - 1.5	SD 0.6 x 3.5 or 0.8 x 4 mm or PH1
HVE		1.2 - 1.5	SD 0.6 x 3.5 or 0.8 x 4 mm or PH1
HD		1.2 - 1.5	SD 0.6 x 3.5 or 0.8 x 4 mm or PZ1
HDD		1.2 - 1.5	SD 0.6 x 3.5 or 0.8 x 4 mm or PZ1
S 6/6 (for signal contacts)		1.2 - 1.5	0.8 x 4 mm or PZ1
ConCept modular frame, plastic		1.2 - 1.5	0.8 x 4 mm or PZ1
M 5		PE terminal	
	HSB	2 - 2.5	SD 1 x 5.5 mm or PZ2
	S 4/0 (Screw connection)	2 - 2.5	SD 1.2 x 6.5 mm or PH2
	S 4/0 (Axial screw connection)	2 - 2.5	SD 0.8 x 4 mm or PZ 2
	S 4/2	2 - 2.5	SD 1.2 x 6.5 mm or PH2
	S 4/8	2 - 2.5	SD 1.2 x 6.5 mm or PH2
	S 6/12	2 - 2.5	SD 0.8 x 4 mm or PZ 2
	S 6/36	2 - 2.5	SD 1.2 x 6.5 mm or PH2
	S 8/24	2 - 2.5	SD 1.2 x 6.5 mm or PH2
	S 12/2	2 - 2.5	SD 1.2 x 6.5 mm or PH2
	M 6	Power contacts	
S 4/0 (Screw connection)		1.2 (1.5 mm ²) / 2 (2.5 mm ²) / 3 (4-16 mm ²)	SD 0.8 x 4 mm
S 4/2		1.2 (1.5 mm ²) / 2 (2.5 mm ²) / 3 (4-16 mm ²)	SD 0.8 x 4 mm
S 4/8		1.2 (1.5 mm ²) / 2 (2.5 mm ²) / 3 (4-16 mm ²)	SD 0.8 x 4 mm
M 7 x 0.75	Power contacts		
	S 4	1.1 - 1.7	SW 2
	S 6/6 (+ PE)	6 - 8	SW 4
M 8 x 0.75	Power contacts		
	S 6/12	1.1 - 1.7	SW 2
	S 8/0 (+ PE)	6 (10-16 mm ²) - 7 (25 mm ²)	SW 4
M10 x 1	Power contacts		
	S 4/0 (Axial connection)	2 - 3	SW 3

Increasing the tightening torque does not improve the contact resistance. The stated torque settings offer optimal mechanical, thermal and electrical conditions. Exceeding the recommended values may even damage the conductor and terminal.