

SAI-Y-5S M12/M12 2BO

Weidmüller Interfaces GmbH & Co. KG

Postfach 3030

32760 Detmold

Tel. +49 5231 14-0

Fax. +49 5231 14-2083

info@weidmueller.com

www.weidmueller.com



General ordering data

Version	Y connector, M12 / M12
Order No.	1881710000
Type	SAI-Y-5S M12/M12 2BO
GTIN (EAN)	4032248484522
Qty.	1 pc(s).

SAI-Y-5S M12/M12 2B0

Weidmüller Interfaces GmbH & Co. KG

Postfach 3030

32760 Detmold

Tel. +49 5231 14-0

Fax. +49 5231 14-2083

info@weidmueller.com

www.weidmueller.com

Technical data

Dimensions and weights

Net weight 49 g

Connection data

Group outlet - plug-in connector	M12 pin	Single outlet 1 - plug-in connector	M12 socket
Single outlet 2 - plug-in connector	M12 socket	Tightening torque	M12: 0.8 - 1.2 Nm

Technical data customisable plug-in connectors

Coding	A	Insulation strength	10 ⁹ Ω
Number of poles	5	Pollution severity	3
Protection degree	IP67	Rated current	4 A
Rated voltage	60 V	Shield connection	No
Temperature range of housing	-30...+90 °C		

Standards

Connector standard IEC 61076-2-101

General data

Coding	A	Conductor O.D.	-
Connection thread	M12 / M12	Insulation strength	10 ⁹ Ω
Number of poles	5	Pollution severity	3
Protection degree	IP67	Rated current	4 A
Rated voltage	60 V	Shield connection	No
Temperature range of housing	-30...+90 °C		

Classifications

ETIM 6.0	EC002925	ETIM 7.0	EC002925
ETIM 8.0	EC002925	ECLASS 9.0	27-44-01-06
ECLASS 9.1	27-44-01-06	ECLASS 10.0	27-44-01-06
ECLASS 11.0	27-44-01-06	ECLASS 12.0	27-44-01-06

Environmental Product Compliance

REACH SVHC	Lead 7439-92-1
SCIP	4060c755-8d0b-4d43-bdb3-4ffabe9d7497

Approvals

Approvals



ROHS Conform

Downloads

Engineering Data	CAD data – STEP
Catalogues	Catalogues in PDF-format
Brochures	FL FIELDWIRING EN FL FIELDWIRING EN

Creation date March 9, 2023 12:32:08 PM CET

Catalogue status 03.03.2023 / We reserve the right to make technical changes.

SAI-Y-5S M12/M12 2BO

Weidmüller Interfaces GmbH & Co. KG

Postfach 3030

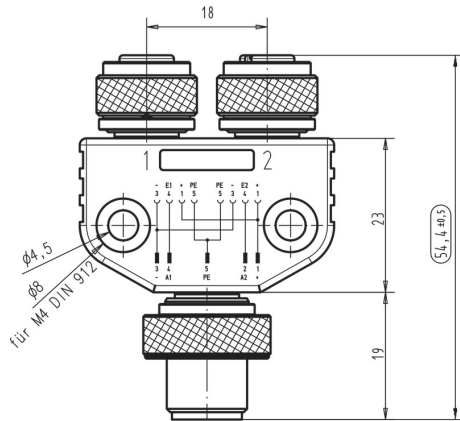
32760 Detmold

Tel. +49 5231 14-0

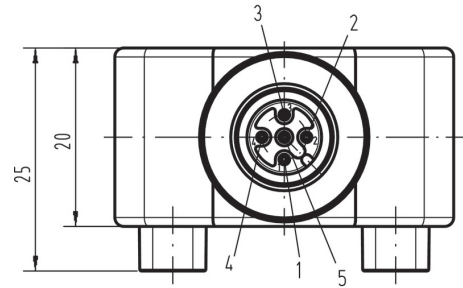
Fax. +49 5231 14-2083

Drawings

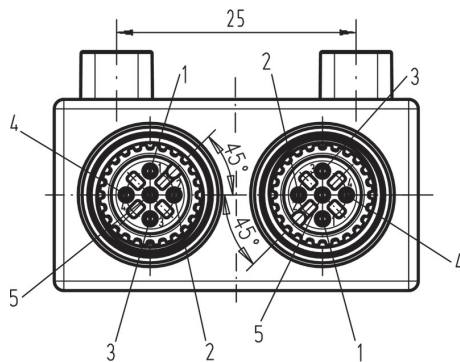
Dimensioned drawing



Dimensioned drawing info@weidmueller.com

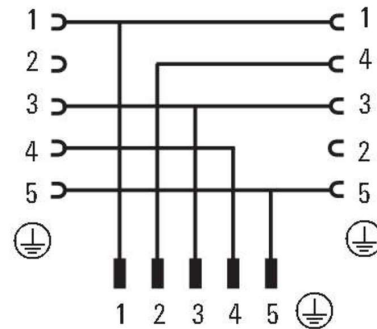


Dimensioned drawing



Wiring diagram

1. Female M12 2. Female M12



Male M12