

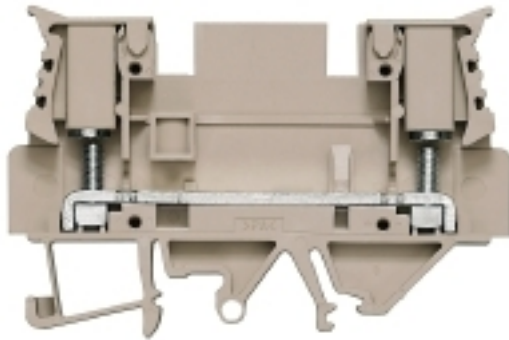
WTD 6/4 FF**Weidmüller Interface GmbH & Co. KG**

Klingenbergstraße 26

D-32758 Detmold

Germany

www.weidmueller.com

Product image**Current and voltage transformer wiring**

Our test disconnect terminal blocks featuring spring and screw connection technology allow you to create all the important converter circuits for measuring current, voltage and power in a safe and sophisticated way.

General ordering data

Version	Feed-through terminal, Screw connection, 6 mm ² , 800 V, 41 A, without, dark beige
Order No.	1887220000
Type	WTD 6/4 FF
GTIN (EAN)	4032248526802
Qty.	50 pc(s).

Creation date March 1, 2023 2:50:30 PM CET

Catalogue status 18.02.2023 / We reserve the right to make technical changes.

WTD 6/4 FF

Weidmüller Interface GmbH & Co. KG

Klingenbergstraße 26

D-32758 Detmold

Germany

www.weidmueller.com

Technical data

Dimensions and weights

Depth	52 mm	Depth (inches)	2.047 inch
Depth including DIN rail	53.4 mm	Height	76.5 mm
Height (inches)	3.012 inch	Width	11 mm
Width (inches)	0.433 inch	Net weight	35.9 g

Temperatures

Storage temperature	-25 °C...55 °C	Continuous operating temp., min.	-50 °C
Continuous operating temp., max.	120 °C		

Material data

Material	Wemid	Colour	dark beige
UL 94 flammability rating	V-0		

System specifications

Version	Screw connection, for plug-in cross-connector, One end without connector	End cover plate required	Yes
Number of potentials	1	Number of levels	1
Number of clamping points per level	2	Number of potentials per tier	1
Levels cross-connected internally	No	PE connection	No
Rail	TS 35, TS 32	N-function	No
PE function	No	PEN function	No

Additional technical data

Type of mounting	Snap-on
------------------	---------

CSA rating data

Certificate number (cCSAus)	227775-1609344	Current size B (cCSAus)	40 A
Current size C (cCSAus)	40 A	Current size D (cCSAus)	40 A
Voltage size B (cCSAus)	600 V	Voltage size C (cCSAus)	600 V
Voltage size D (cCSAus)	600 V	Wire cross section max. (cCSAusX)	10 AWG
Wire cross section min. (cCSAusX)	26 AWG		

Conductors for clamping (rated connection)

Blade size	0.8 x 5.5 mm	Clamping range, max.	6 mm ²
Clamping range, min.	1.5 mm ²	Clamping screw	M 4
Connection direction	on side	Number of connections	2
Tightening torque, max.	2.4 Nm	Tightening torque, min.	1.2 Nm
Type of connection	Screw connection	Wire connection cross section, finely stranded, max.	6 mm ²
Wire connection cross section, finely stranded, min.	1.5 mm ²		

Dimensions

TS 32 offset	38.5 mm	TS 35 offset	38.5 mm
--------------	---------	--------------	---------

WTD 6/4 FF

Weidmüller Interface GmbH & Co. KG

Klingenbergstraße 26

D-32758 Detmold

Germany

www.weidmueller.com

Technical data

General

Rail TS 35, TS 32

Rating data

Rated cross-section	6 mm ²	Rated voltage	800 V
Rated current	41 A	Current at maximum wires	41 A
Volume resistance according to IEC 60947-7-x	0.78 mΩ	Rated impulse withstand voltage	8 kV
Power loss in accordance with IEC 60947-7-x	1.31 W	Pollution severity	3

UL rating data

Certificate No. (cURus)	E60693	Conductor size Factory wiring max. (cURus)	10 AWG
Conductor size Factory wiring min. (cURus)	26 AWG	Conductor size Field wiring max. (cURus)	10 AWG
Conductor size Field wiring min. (cURus)	26 AWG	Current size B (cURus)	30 A
Current size C (cURus)	30 A	Voltage size B (cURus)	600 V
Voltage size C (cURus)	600 V		

Classifications

ETIM 6.0	EC000902	ETIM 7.0	EC000902
ETIM 8.0	EC000902	ECLASS 9.0	27-14-11-26
ECLASS 9.1	27-14-11-26	ECLASS 10.0	27-14-11-26
ECLASS 11.0	27-14-11-26	ECLASS 12.0	27-14-11-26

Approvals

Approvals



ROHS	Conform
UL File Number Search	UL Website
Certificate No. (cURus)	E60693

Downloads

Approval/Certificate/Document of Conformity	CB Test Certificate CB Certificate EAC certificate CE Declaration of Conformity CE Declaration of Conformity all terminals UKCA declaration of conformity
Engineering Data	CAD data – STEP
Engineering Data	WSCAD
User Documentation	StorageConditionsTerminalBlocks
Catalogues	Catalogues in PDF-format
Brochures	

Creation date March 1, 2023 2:50:30 PM CET

Catalogue status 18.02.2023 / We reserve the right to make technical changes.

3

Data sheet

WTD 6/4 FF

Weidmüller Interface GmbH & Co. KG
Klingenbergstraße 26
D-32758 Detmold
Germany

www.weidmueller.com

Drawings

