

SAI-4-M 5P M12 NPN ECO**Weidmüller Interface GmbH & Co. KG**

Klingenbergstraße 26

D-32758 Detmold

Germany

www.weidmueller.com



M12 distributors are available in various versions. The 4, 6 or 8 M12 slots are in 4 or 5 pole design. The group outlet is designed as a fixed cable version, hood version for connection by the user, or with M23. Special versions are also available. For instance, there are 1-to-1 distributors for use with any connection types, or distributors approved for Ex Zone 1.

General ordering data

| | |
|------------|---|
| Version | Sensor-actuator passive distributor, M12, Hood version, Yes |
| Order No. | 1892100005 |
| Type | SAI-4-M 5P M12 NPN ECO |
| GTIN (EAN) | 4032248623754 |
| Qty. | 1 pc(s). |

Creation date March 16, 2023 5:53:14 PM CET

Catalogue status 03.03.2023 / We reserve the right to make technical changes.

SAI-4-M 5P M12 NPN ECO

Weidmüller Interface GmbH & Co. KG
 Klingenbergstraße 26
 D-32758 Detmold
 Germany

www.weidmueller.com

Technical data**Dimensions and weights**

| | |
|------------|-------|
| Net weight | 202 g |
|------------|-------|

Temperatures

| | |
|-----------------------|---|
| Operating temperature | - |
|-----------------------|---|

Connection data

| | | | |
|----------------------|----------------------|----------------------|---------------------|
| Clamping range, min. | 0.08 mm ² | Clamping range, max. | 1.5 mm ² |
| Distributor outlet | Hood version | | |

Electrical data

| | | | |
|---------------------|-------------------|---|------|
| Rated voltage, min. | 10 V | Rated voltage, max. | 30 V |
| Test voltage | 1 kV | Max. current-carrying capacity per slot | 4 A |
| Insulation strength | 10 ⁹ Ω | | |

General technical data

| | | | |
|-------------------------------------|-------|-----------------------------|--------|
| Plug-in station coding | A | Number of poles | 5 |
| Number of contact sockets | 4 | Connection thread | M12 |
| Pollution severity | 3 | Fire behaviour | V-0 |
| Plugging cycles | ≤ 50 | LED | Yes |
| LED colour for indicating operation | green | LED colour for I/O function | yellow |

Material data

| | | | |
|--------------------------|----------------|-------------------------|-------------|
| Housing main material | Pocan | Material of distributor | Plastic |
| Housing colour | grey, RAL 7032 | Hood sealing material | Viton |
| Contact material | CuZn | Contact surface | Gold-plated |
| Contact carrier material | PBT (UL 94 V0) | | |

Technical data cable

| | | | |
|-----------------|---|-----------------------------|----|
| Number of poles | 5 | Suitable for cable carriers | No |
|-----------------|---|-----------------------------|----|

Classifications

| | | | |
|-------------|-------------|-------------|-------------|
| ETIM 6.0 | EC002585 | ETIM 7.0 | EC003558 |
| ETIM 8.0 | EC003558 | ECLASS 9.0 | 27-44-01-08 |
| ECLASS 9.1 | 27-44-01-08 | ECLASS 10.0 | 27-44-01-11 |
| ECLASS 11.0 | 27-44-01-11 | ECLASS 12.0 | 27-44-01-11 |

Environmental Product Compliance

| | |
|------------|----------------|
| REACH SVHC | Lead 7439-92-1 |
|------------|----------------|

Data sheet**SAI-4-M 5P M12 NPN ECO**

Weidmüller Interface GmbH & Co. KG
Klingenbergstraße 26
D-32758 Detmold
Germany

www.weidmueller.com

Technical data**Approvals**

Approvals



| | |
|-------------------------|------------|
| ROHS | Conform |
| UL File Number Search | UL Website |
| Certificate No. (cURus) | E141197 |

Downloads

| | |
|------------------|--|
| Engineering Data | WSCAD |
| Catalogues | Catalogues in PDF-format |
| Brochures | FL FIELDWIRING EN FL FIELDWIRING EN |

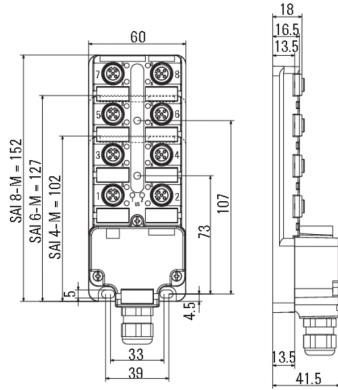
SAI-4-M 5P M12 NPN ECO

Weidmüller Interface GmbH & Co. KG
 Klängenbergstraße 26
 D-32758 Detmold
 Germany

www.weidmueller.com

Drawings

Dimensioned drawing



Wiring diagram

