

SAIL-VSCD-M8G-3-2.5U**Weidmüller Interfaces GmbH & Co. KG**

Postfach 3030

32760 Detmold

Tel. +49 5231 14-0

Fax. +49 5231 14-2083

info@weidmueller.com

www.weidmueller.com



Weidmüller can supply valve plugs as connecting lines with M12 plugs and one end without connector. The status of the valve plug is shown by an LED. Every valve plug is fitted with a protective circuit. The Weidmüller range includes valve plugs of type A, B and C to DIN and industry standards. In the plugged condition they achieve IP 67 class of protection. The outlet direction is also a decisive factor: Weidmüller can also supply 0° versions, i.e. the cable outlet direction is located at the PE contact.

General ordering data

Version	Valve plug, Straight plug - valve plug
Order No.	1916700250
Type	SAIL-VSCD-M8G-3-2.5U
GTIN (EAN)	4032248907489
Qty.	1 pc(s).

SAIL-VSCD-M8G-3-2.5U

Weidmüller Interfaces GmbH & Co. KG

Postfach 3030

32760 Detmold

Tel. +49 5231 14-0

Fax. +49 5231 14-2083

info@weidmueller.com

www.weidmueller.com

Technical data**Dimensions and weights**

Net weight 75 g

Technical specifications for cable

Acceleration	5 m/s ²	Bending cycles	2 Mio
Bending radius, min., moving	10 x cable diameter	Bending radius, min., stationary	5 x cable diameter
Cable length	2.5 m	Colour coding	brown, blue, Green/yellow
Core cross-section	0.5 mm ²	Halogen	No
Insulation	PP	Number of poles	3
Outside diameter	4.6 mm ± 0.2 mm	Resistant to welding beads	No
Sheath material	PUR	Sheathing colour	black
Shielded	No	Speed	200 m/min
Suitable for cable carriers	Yes	Temperature range, moving	-25...80 °C
Welding spark resistance	No		

General technical data

All valve plugs are fitted with protective circuits	Suppressor diode	Coding	DIN design C (8 mm), M8 = none
Contact surface	tinned	LED	Yes
Protection degree	IP67, when screwed in	Rated current	4 A
Rated voltage	24 V	Temperature range of housing	-25...+80 °C
Tightening torque	Mounting screw M3: 0.4 Nm, M2.5 mounting screw: 0.3 Nm	Version	Straight plug - valve plug

Classifications

ETIM 6.0	EC001855	ETIM 7.0	EC001855
ETIM 8.0	EC001855	ECLASS 9.0	27-06-03-12
ECLASS 9.1	27-06-03-11	ECLASS 10.0	27-06-03-12
ECLASS 11.0	27-06-03-12	ECLASS 12.0	27-06-03-12

Environmental Product Compliance

REACH SVHC	Lead 7439-92-1
SCIP	e8d8af70-4c85-4483-bc8c-9bc5b598e2a9

Approvals

Approvals



ROHS Conform

Downloads

Engineering Data	CAD data – STEP
Catalogues	Catalogues in PDF-format
Brochures	FL FIELDWIRING EN

Creation date March 13, 2023 2:26:51 PM CET

Catalogue status 03.03.2023 / We reserve the right to make technical changes.

Data sheet

SAIL-VSCD-M8G-3-2.5U

Weidmüller Interfaces GmbH & Co. KG

Postfach 3030

32760 Detmold

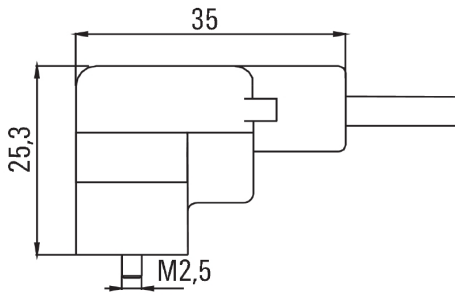
Tel. +49 5231 14-0

Fax. +49 5231 14-2083

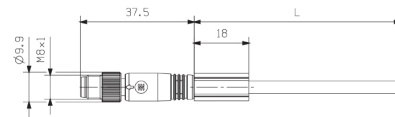
Drawings

info@weidmueller.com

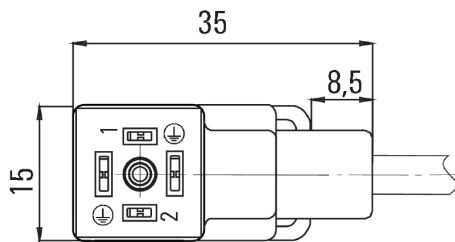
Dimensioned drawing



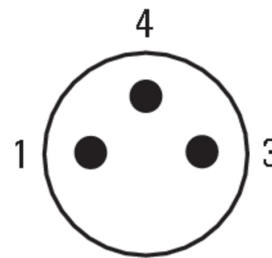
Dimensioned drawing



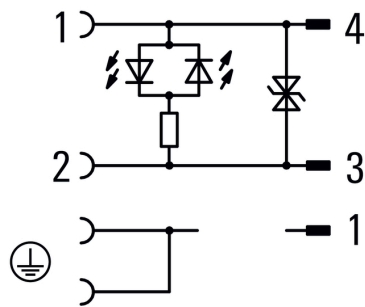
Pole scheme



Pole scheme



Wiring diagram



24V AC/DC_ 4A