

SAI-06L-VP12-3A-M080-PNP**Weidmüller Interface GmbH & Co. KG**

Klingenbergstraße 26

D-32758 Detmold

Germany

www.weidmueller.com



The new slim M8 line from Weidmüller. This range of products is characterised by the marking options at all connection positions. Even the 4-way distributor with 8-pole M12 has adequately large markers at all M8 connection positions. Furthermore, this distributor is shorter than many conventional M8 designs.

- Very narrow, short and flat M8 distributor.
- The range is supplied with 4 to 12 M8 connection positions, 3 or 4 poles.
- Hybrid variants of the M8 are also possible on request.
- The M8 line is equipped with transverse holes.

General ordering data

Version	SAI Passive, Sensor-actuator passive distributor, M8, with M12 outlet, 8-pole, A-coded, No
Order No.	1932380000
Type	SAI-06L-VP12-3A-M080-PNP
GTIN (EAN)	4032248582815
Qty.	1 pc(s).

Creation date March 16, 2023 8:55:15 PM CET

Catalogue status 03.03.2023 / We reserve the right to make technical changes.

SAI-06L-VP12-3A-M080-PNP

Weidmüller Interface GmbH & Co. KG

Klingenbergstraße 26

D-32758 Detmold

Germany

www.weidmueller.com

Technical data

Dimensions and weights

Net weight	81 g
------------	------

Temperatures

Operating temperature	-25 - 80 °C	Operating temperature, min.	-25 °C
Operating temperature, max.	80 °C		

Connection data

Sheathing stripping length	100 mm	Distributor outlet	with M12 outlet, 8-pole, A-coded
----------------------------	--------	--------------------	----------------------------------

Electrical data

Rated voltage, min.	10 V	Rated voltage, max.	30 V
Test voltage	1 kV	Max. current-carrying capacity per slot	2 A
Total current	6 A	Current per signal	1 A
Insulation strength	10 ⁹ Ω		

General technical data

Protection degree	IP68	Number of poles	3
Number of contact sockets	6	Connection thread	M8
Pollution severity	3	Fire behaviour	V-0
LED	No	LED initiator	Yes
LED colour for indicating operation	green	LED colour for I/O function	yellow

Material data

Material O-Ring	FKM	Housing main material	PBT
Material of distributor	Plastic	Housing colour	black (similar to RAL 9005)
Screw socket	Nickel-plated CuZn	Contact material	CuZn
Contact surface	Gold-plated	Contact carrier material	PBT (UL 94 V0)

Technical data cable

Number of poles	3	Suitable for cable carriers	No
-----------------	---	-----------------------------	----

Classifications

ETIM 6.0	EC002585	ETIM 7.0	EC003558
ETIM 8.0	EC003558	ECLASS 9.0	27-44-01-08
ECLASS 9.1	27-44-01-08	ECLASS 10.0	27-44-01-11
ECLASS 11.0	27-44-01-11	ECLASS 12.0	27-44-01-11

Environmental Product Compliance

REACH SVHC	Lead 7439-92-1
SCIP	22cbd99b-5f46-4c36-9938-bd61e241a9ab

Data sheet**SAI-06L-VP12-3A-M080-PNP****Weidmüller Interface GmbH & Co. KG**
Klingenbergstraße 26
D-32758 Detmold
Germany

www.weidmueller.com

Technical data**Approvals**

Approvals



ROHS	Conform
UL File Number Search	UL Website
Certificate No. (cURus)	E92202

Downloads

Engineering Data	CAD data – STEP
Engineering Data	WSCAD
Product Change Notification	20211208 Technical change to SAI M8 Line Distribution Boxes 20211208 Technische Änderung zu SAI M8 Line Verteiler
Catalogues	Catalogues in PDF-format
Brochures	FL FIELDWIRING EN FL FIELDWIRING EN

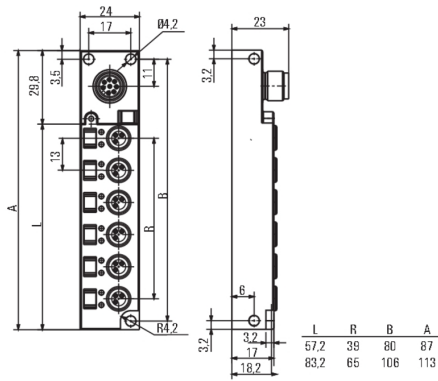
SAI-06L-VP12-3A-M080-PNP

Weidmüller Interface GmbH & Co. KG
 Klingenbergstraße 26
 D-32758 Detmold
 Germany

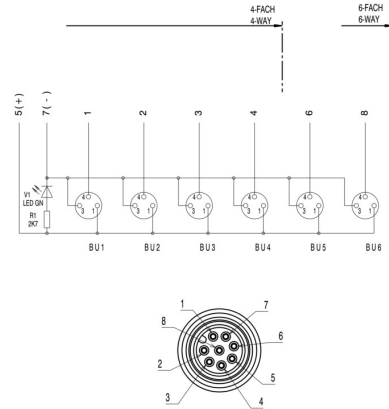
www.weidmueller.com

Drawings

Dimensioned drawing



Wiring diagram



Pole scheme

