

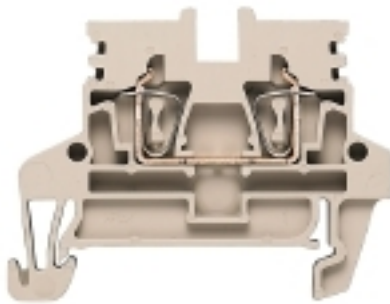
ZDU 2.5N**Weidmüller Interface GmbH & Co. KG**

Klingenbergstraße 26

D-32758 Detmold

Germany

www.weidmueller.com

Product image

To feed through power, signal, and data is the classical requirement in electrical engineering and panel building. The insulating material, the connection system and the design of the terminal blocks are the differentiating features. A feed-through terminal block is suitable for joining and/or connecting one or more conductors. They could have one or more connection levels that are on the same potential or insulated against one another.

General ordering data

Version	Feed-through terminal, Tension-clamp connection, 2.5 mm ² , 800 V, 24 A, dark beige
Order No.	1933700000
Type	ZDU 2.5N
GTIN (EAN)	4032248586738
Qty.	50 pc(s).

Creation date February 27, 2023 4:44:40 PM CET

Catalogue status 18.02.2023 / We reserve the right to make technical changes.

ZDU 2.5N**Weidmüller Interface GmbH & Co. KG**

Klingenbergstraße 26

D-32758 Detmold

Germany

www.weidmueller.com

Technical data**Dimensions and weights**

Depth	38.5 mm	Depth (inches)	1.516 inch
Depth including DIN rail	39 mm	Height	50.5 mm
Height (inches)	1.988 inch	Width	5.1 mm
Width (inches)	0.201 inch	Net weight	4.56 g

Temperatures

Storage temperature		Operating temperature range	For operating temperature range see EC Design Test Certificate / IEC Ex-Certificate of Conformity
	-25 °C...55 °C		
Continuous operating temp., min.	-50	Continuous operating temp., max.	120

Material data

Material	Wemid	Colour	dark beige
UL 94 flammability rating	V-0		

Rating data IECEx/ATEX

Operating temperature range	For operating temperature range see EC Design Test Certificate / IEC Ex-Certificate of Conformity	Marking EN 60079-7	
			Ex eb II C Gb
Ex 2014/34/EU label	II 2 G D		

System specifications

Version	Tension-clamp connection, for plug-in cross-connector, One end without connector	End cover plate required	Yes
Number of levels	1	Number of clamping points per level	2
Number of potentials per tier	1	Levels cross-connected internally	No
PE connection	No	Rail	TS 35

Additional technical data

Explosion-tested version	Yes	Open sides	right
Type of mounting	Snap-on		

CSA rating data

Certificate No. (CSA)	200039-1842498	Current size B (CSA)	24 A
Current size C (CSA)	24 A	Voltage size B (CSA)	300 V
Voltage size C (CSA)	300 V	Wire cross section max. (CSA)	12 AWG
Wire cross section min. (CSA)	30 AWG		

Conductors for clamping (additional connection)

Cross-section for connected wire, AWG, additional connection, max.	AWG 12	Cross-section for connected wire, AWG, additional connection, min.	AWG 24
--	--------	--	--------

Conductors for clamping (rated connection)

Blade size	0.6 x 3.5 mm
------------	--------------

Creation date February 27, 2023 4:44:40 PM CET

ZDU 2.5N

Weidmüller Interface GmbH & Co. KG
 Klingenbergstraße 26
 D-32758 Detmold
 Germany

www.weidmueller.com

Technical data

Clamping range, max.	4 mm ²	
Clamping range, min.	0.05 mm ²	
Connection cross-section, stranded, max.	2.5 mm ²	
Connection cross-section, stranded, min.	1.5 mm ²	
Connection direction	top	
Gauge to IEC 60947-1	A2	
Number of connections	2	
Stripping length	10 mm	
Tube length for wire-end ferrule with plastic collar DIN 46228/4	Tube length	max. 10 mm
		min. 6 mm
	Cross-section for conductor connection	nominal 0.5 mm ²
	Tube length	max. 10 mm
		min. 6 mm
	Cross-section for conductor connection	nominal 0.75 mm ²
	Tube length	max. 10 mm
		min. 6 mm
	Cross-section for conductor connection	nominal 1 mm ²
	Tube length	max. 10 mm
		min. 8 mm
	Cross-section for conductor connection	nominal 1.5 mm ²
Tube length for wire-end ferrule without plastic collar DIN 46228/1	Tube length	nominal 10 mm
	Cross-section for conductor connection	nominal 0.5 mm ²
	Tube length	nominal 10 mm
	Cross-section for conductor connection	nominal 0.75 mm ²
	Tube length	nominal 10 mm
	Cross-section for conductor connection	nominal 1 mm ²
	Tube length	nominal 10 mm
	Cross-section for conductor connection	nominal 1.5 mm ²
	Tube length	nominal 10 mm
	Cross-section for conductor connection	nominal 2.5 mm ²
	Type of connection	Tension-clamp connection
	Wire connection cross section, finely stranded, max.	2.5 mm ²
Wire connection cross section, finely stranded, min.	0.5 mm ²	
Wire connection cross-section, finely stranded with wire-end ferrules DIN 46228/1, max.	1.5 mm ²	
Wire connection cross-section, finely stranded with wire-end ferrules DIN 46228/1, min.	0.5 mm ²	
Wire connection cross-section, finely stranded with wire-end ferrules DIN 46228/4, max.	1.5 mm ²	
Wire connection cross-section, finely stranded with wire-end ferrules DIN 46228/4, min.	0.5 mm ²	
Wire connection cross-section, solid core, max.	4 mm ²	
Wire connection cross-section, solid core, min.	0.5 mm ²	

Dimensions

TS 35 offset	25.5 mm
--------------	---------

Creation date February 27, 2023 4:44:40 PM CET

ZDU 2.5N**Weidmüller Interface GmbH & Co. KG**

Klingenbergstraße 26

D-32758 Detmold

Germany

www.weidmueller.com

Technical data**General**

Rail	TS 35	Standards	IEC 60947-7-1
------	-------	-----------	---------------

Rating data

Rated cross-section	2.5 mm ²	Rated voltage	800 V
Rated current	24 A	Current at maximum wires	24 A
Standards	IEC 60947-7-1	Volume resistance according to IEC 60947-7-x	1.33 mΩ
Rated impulse withstand voltage	6 kV	Power loss in accordance with IEC 60947-7-x	0.77 W
Pollution severity	3		

UL rating data

Certificate No. (cURus)	E60693	Conductor size Factory wiring max. (cURus)	12 AWG
Conductor size Factory wiring min. (cURus)	30 AWG	Conductor size Field wiring max. (cURus)	12 AWG
Conductor size Field wiring min. (cURus)	30 AWG	Current size B (cURus)	20 A
Current size C (cURus)	20 A	Voltage size B (cURus)	300 V
Voltage size C (cURus)	300 V		

Classifications

ETIM 6.0	EC000897	ETIM 7.0	EC000897
ETIM 8.0	EC000897	ECLASS 9.0	27-14-11-20
ECLASS 9.1	27-14-11-20	ECLASS 10.0	27-14-11-20
ECLASS 11.0	27-14-11-20	ECLASS 12.0	27-14-11-20

Approvals

Approvals



ROHS	Conform
UL File Number Search	UL Website
Certificate No. (cURus)	E60693

ZDU 2.5N

Weidmüller Interface GmbH & Co. KG
Klingenbergstraße 26
D-32758 Detmold
Germany

www.weidmueller.com

Technical data

Downloads

Approval/Certificate/Document of Conformity	Attestation of Conformity IECEX Certificate EAC certificate INMETRO certificate EAC EX Certificate CCC Ex Certificate ATEX Certificate UKCA Ex Certificate Declaration of Conformity CE Declaration of Conformity all terminals UKCA declaration of conformity
Engineering Data	CAD data – STEP
Engineering Data	WSCAD, Zuken E3.S
Product Change Notification	PCN ZDU2.5N ZPE 2.5N ATEX IECEX change
User Documentation	StorageConditionsTerminalBlocks NTI ZDU/ZPE 2.5N BPZL Z-Series
Catalogues	Catalogues in PDF-format
Brochures	

Data sheet

ZDU 2.5N

Weidmüller Interface GmbH & Co. KG
Klingenbergstraße 26
D-32758 Detmold
Germany

www.weidmueller.com

Drawings

