

## RSS110024

**Weidmüller Interface GmbH & Co. KG**

Klingenbergstraße 26

D-32758 Detmold

Germany

www.weidmueller.com

### Product image



Similar to illustration

Individual relays for TERMSERIES

- Electromechanical relays
- Different contact materials

### General ordering data

Version	TERMSERIES, Relay, Number of contacts: 1, CO contact AgSnO, Rated control voltage: 24 V DC, Continuous current: 6 A, Plug-in connection, Test button available: No
Order No.	<a href="#">1984090000</a>
Type	RSS110024
GTIN (EAN)	4050118377910
Qty.	20 Stück

Erstellungs-Datum May 25, 2023 12:10:00 PM CEST

Katalogstand 12.05.2023 / Technische Änderungen vorbehalten

**RSS110024**

**Weidmüller Interface GmbH & Co. KG**  
 Klingenbergstraße 26  
 D-32758 Detmold  
 Germany

www.weidmueller.com

## Technische Daten

### Dimensions and weights

Depth	15 mm	Depth (inches)	0.591 inch
Height	28 mm	Height (inches)	1.102 inch
Width	5 mm	Width (inches)	0.197 inch
Net weight	5 g		

### Temperatures

Storage temperature	-40 °C...85 °C	Operating temperature	-40 °C...85 °C
Operating temperature, min.	-40 °C	Operating temperature, max.	85 °C

### Rated data UL

Certificate No. (cURus)	E223474
-------------------------	---------

### Control side

Rated control voltage	24 V DC	Rated current DC	7.1 mA
Power rating	170 mW	Pull-in/drop-out voltage, typ.	16.8 V / 2.4 V DC
Coil resistance	3388 Ω ± 10 %	Coil tolerance	10 %
Status indicator	No		

### Load side

Rated switching voltage	250 V AC	Continuous current	6 A
Max. switching frequency at rated load	0.1 Hz	Max. switching voltage, AC	250 V
Max. switching voltage, DC	250 V	Inrush current	30 A / 20 ms
AC switching capacity (resistive), max.	1500 VA	DC switching capacity (resistive), max.	144 W @ 24 V
Switch-on delay	< 8 ms	Switch-off delay	< 4 ms
Contact type	1 CO contact (AgSnO)	Min. switching power	100 mA @ 12 V

### General data

Test button available	No	Mechanical switch position indicator	No
Colour	white		

### Insulation coordination

Clearance and creepage distances for control side - load side	≥ 6 mm	Dielectric strength for control side - load side	4 kV <sub>eff</sub> / 1 Min.
Dielectric strength of open contact	1 kV <sub>eff</sub> / 1 min	Impulse withstand voltage	6 kV (1.2/50 μs)
Protection degree	IP67		

### Further details of approvals / standards

Certificate No. (VDE)	40029391	Certificate No. (cURus)	E223474
-----------------------	----------	-------------------------	---------

### Connection data

Wire connection method	Plug-in connection
------------------------	--------------------

**RSS110024****Weidmüller Interface GmbH & Co. KG**  
Klingenbergstraße 26  
D-32758 Detmold  
Germany

www.weidmueller.com

**Technische Daten****Classifications**

ETIM 6.0	EC001437	ETIM 7.0	EC001437
ETIM 8.0	EC001437	ECLASS 9.0	27-37-16-01
ECLASS 9.1	27-37-16-01	ECLASS 10.0	27-37-16-01
ECLASS 11.0	27-37-16-01	ECLASS 12.0	27-37-16-01

**Approvals**

Approvals



ROHS	Conform
UL File Number Search	UL Website
Certificate No. (cURus)	E223474

**Downloads**

Engineering Data	<a href="#">CAD data – STEP</a>
Engineering Data	<a href="#">WSCAD</a>
Catalogues	<a href="#">Catalogues in PDF-format</a>

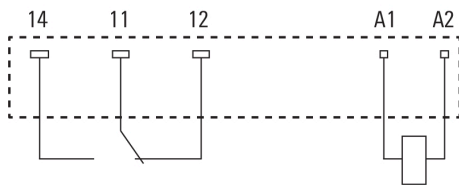
RSS110024

Weidmüller Interface GmbH & Co. KG  
 Klingenbergstraße 26  
 D-32758 Detmold  
 Germany

www.weidmueller.com

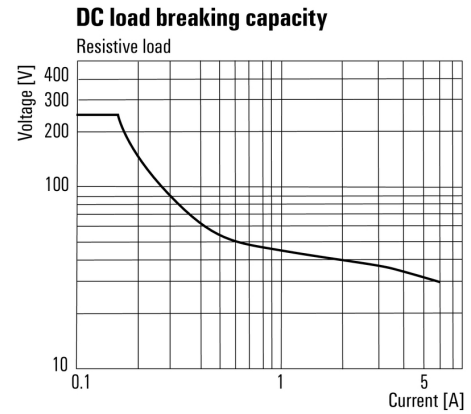
Zeichnungen

Wiring diagram



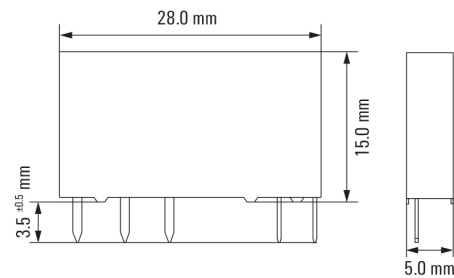
View of Pins from below

Graph



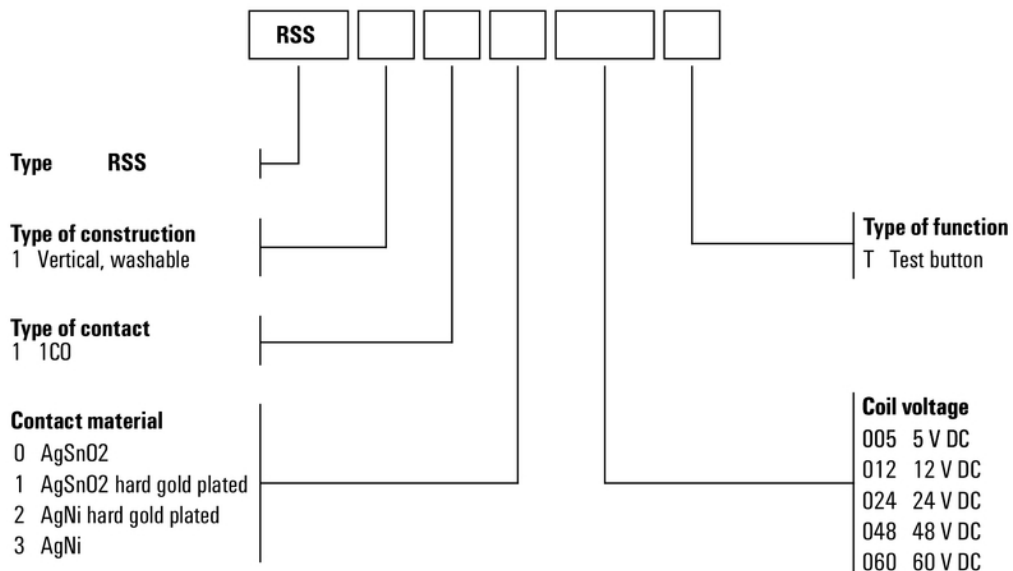
DC load limit curve

Dimensional drawing



**Miscellaneous**

**Type code electromechanical relay (TERMSERIES)**



Type codes