

SAI-ADAPT-M8/M8 4/3P**Weidmüller Interfaces GmbH & Co. KG**

Postfach 3030

32760 Detmold

Tel. +49 5231 14-0

Fax. +49 5231 14-2083

info@weidmueller.com

www.weidmueller.com



M8/M12 and M12/M8 adapters serve for quick implementation of the plug size.

General ordering data

Version	Y connector, M8 / M8
Order No.	1990570000
Type	SAI-ADAPT-M8/M8 4/3P
GTIN (EAN)	4050118376609
Qty.	1 pc(s).

SAI-ADAPT-M8/M8 4/3P
Weidmüller Interfaces GmbH & Co. KG

Postfach 3030

32760 Detmold

Tel. +49 5231 14-0

Fax. +49 5231 14-2083

info@weidmueller.com
www.weidmueller.com
Technical data
Dimensions and weights

Net weight	10 g		
------------	------	--	--

Connection data

Single outlet 1 - plug-in connector	M8 pin	Single outlet 2 - plug-in connector	M8 socket
Tightening torque	M8: 0.5 Nm		

Technical data customisable plug-in connectors

Coding	M8 = none	Number of poles	4
Pollution severity	3	Protection degree	IP67
Rated current	4 A	Rated voltage	24 V
Shield connection	No	Temperature range of housing	-25...+85 °C
Threaded ring material	Diecast zinc, nickel-plated		

Standards

Connector standard	IEC 61076-2-104
--------------------	-----------------

General data

Coding	M8 = none	Conductor O.D.	-
Connection thread	M8 / M8	Number of poles	4
Pollution severity	3	Protection degree	IP67
Rated current	4 A	Rated voltage	24 V
Shield connection	No	Temperature range of housing	-25...+85 °C

Classifications

ETIM 6.0	EC002925	ETIM 7.0	EC002925
ETIM 8.0	EC002925	ECLASS 9.0	27-44-01-06
ECLASS 9.1	27-44-01-06	ECLASS 10.0	27-44-01-06
ECLASS 11.0	27-44-01-06	ECLASS 12.0	27-44-01-06

Environmental Product Compliance

REACH SVHC	Lead 7439-92-1
SCIP	1c533b66-fcff-4da5-b89f-fd55fbf5cb55

Approvals

Approvals



ROHS	Conform
------	---------

Downloads

Engineering Data	CAD data – STEP
Catalogues	Catalogues in PDF-format
Brochures	FL FIELDWIRING EN

Creation date March 9, 2023 2:51:34 PM CET

Catalogue status 03.03.2023 / We reserve the right to make technical changes.

SAI-ADAPT-M8/M8 4/3P

Weidmüller Interfaces GmbH & Co. KG

Postfach 3030

32760 Detmold

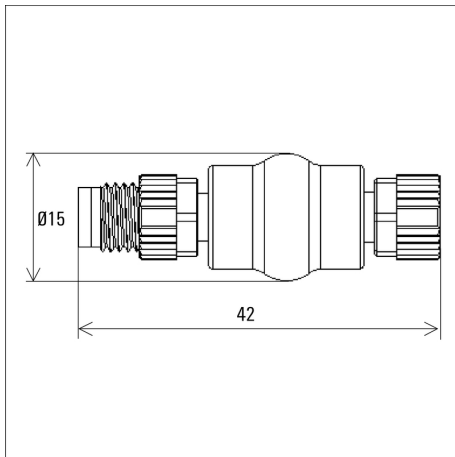
Tel. +49 5231 14-0

Fax. +49 5231 14-2083

Drawings

info@weidmueller.com

Dimensioned drawing



Wiring diagram

