

**IE-FCI-PWB-FR-OR****Weidmüller Interfaces GmbH & Co. KG**

Postfach 3030

32760 Detmold

Tel. +49 5231 14-0

Fax. +49 5231 14-2083

info@weidmueller.com

www.weidmueller.com



FrontCom® Vario integrates multiple functions in only one single frame. The system is easy to install and you can select from a wide range of data, signal and power modules. In addition to being extremely compact, FrontCom® Vario offers a number of unique product features that will make your project planning and work activities secure, fast and future-proof. Furthermore, the FrontCom® Vario system has an attractive housing design that, by the way, offers highest impact-resistance and fully meets the requirements of IP 65 protection class.

**General ordering data**

Version	FrontCom, Insert Power large, Type E, Socket connector, FR, orange
Order No.	<a href="#">2007230000</a>
Type	IE-FCI-PWB-FR-OR
GTIN (EAN)	4050118392135
Qty.	1 pc(s).

## IE-FCI-PWB-FR-OR

Weidmüller Interfaces GmbH &amp; Co. KG

Postfach 3030

32760 Detmold

Tel. +49 5231 14-0

Fax. +49 5231 14-2083

info@weidmueller.com

www.weidmueller.com

## Technical data

## Dimensions and weights

Net weight	32 g	www.weidmueller.com
------------	------	---------------------

## Temperatures

Storage temperature	-10 °C...70 °C	Operating temperature	-5 °C...35 °C
Operating temperature, min.	-5 °C	Operating temperature, max.	35 °C

## General data

Connector face	Type E	Fire load	840 kJ
Insert type	Insert Power large	Protection degree	IP20

## Clampable conductors

Conductor connection cross-section, extremely flexible with wire end ferrule	1.5 ... 1.5 mm <sup>2</sup>		
Conductor connection cross-section, extremely flexible with wire end ferrule	min.	1.5 mm <sup>2</sup>	
	max.	1.5 mm <sup>2</sup>	
Conductor connection cross-section, extremely flexible without wire end ferrule	min.	1.5 mm <sup>2</sup>	
	max.	2.5 mm <sup>2</sup>	
Conductor connection cross-section, extremely flexible without wire end ferrule	1.5 ... 2.5 mm <sup>2</sup>		
Conductor connection cross-section, flexible with wire end ferrule	1.5 ... 1.5 mm <sup>2</sup>		
Conductor connection cross-section, flexible with wire end ferrule	min.	1.5 mm <sup>2</sup>	
	max.	1.5 mm <sup>2</sup>	
Conductor connection cross-section, flexible without wire end ferrule	min.	1.5 mm <sup>2</sup>	
	max.	2.5 mm <sup>2</sup>	
Conductor connection cross-section, flexible without wire end ferrule	1.5 ... 2.5 mm <sup>2</sup>		
Conductor connection cross-section, rigid	1.5 ... 2.5 mm <sup>2</sup>		
Conductor connection cross-section, rigid	min.	1.5 mm <sup>2</sup>	
	max.	2.5 mm <sup>2</sup>	
Stripping length	12 mm		
Type of connection	PUSH IN		

## Technical data

Housing main material	Polycarbonate PC	Rated current	16 A
Rated voltage (AC)	250 V		

## Classifications

ETIM 6.0	EC001121	ETIM 7.0	EC001121
ETIM 8.0	EC001121	ECLASS 9.0	27-44-03-90
ECLASS 9.1	27-18-90-90	ECLASS 10.0	27-44-03-90
ECLASS 11.0	27-44-03-90	ECLASS 12.0	27-18-28-92

## Approvals

ROHS	Conform
------	---------

Creation date March 9, 2023 3:15:51 PM CET

Catalogue status 03.03.2023 / We reserve the right to make technical changes.

**IE-FCI-PWB-FR-OR**

**Weidmüller Interfaces GmbH & Co. KG**

Postfach 3030

32760 Detmold

Tel. +49 5231 14-0

Fax. +49 5231 14-2083

[info@weidmueller.com](mailto:info@weidmueller.com)

**Technical data**

**Downloads**

Engineering Data	<a href="#">CAD data – STEP</a>	<a href="http://www.weidmueller.com">www.weidmueller.com</a>
Product Change Notification	<a href="#">Technische Änderung zu Steckdoseneinsätzen FrontCom Vario 20211129</a> <a href="#">Technische Änderung zu Steckdoseneinsätzen FrontCom Vario</a>	
User Documentation	<a href="#">MAN IE GUIDE DE</a> <a href="#">MAN IE GUIDE EN</a> <a href="#">Socket Insert Overview EN</a> <a href="#">Socket Insert Overview DE</a> <a href="#">Designation key / Type key</a>	
Catalogues	<a href="#">Catalogues in PDF-format</a>	
Brochures	<a href="#">MB FREECONTACT EN</a> <a href="#">FL FIELDWIRING EN</a> <a href="#">PI PROFINET CABLING EN</a> <a href="#">PI PROFINET CABLING EN</a>	

**IE-FCI-PWB-FR-OR**

**Weidmüller Interfaces GmbH & Co. KG**

Postfach 3030

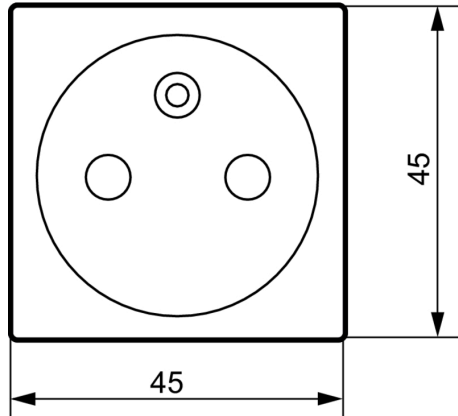
32760 Detmold

Tel. +49 5231 14-0

Fax. +49 5231 14-2083

**Drawings**

**Dimensioned drawing**



**Dimensioned drawing** [info@weidmueller.com](mailto:info@weidmueller.com)

