

SAI-4-M-MVV-M12 1:1**Weidmüller Interface GmbH & Co. KG**

Klingenbergstraße 26

D-32758 Detmold

Germany

www.weidmueller.com



Your peripheral devices should be supplied with greater power. With our new M12 plug-in connector, more than 250 V and 2 A is possible without problems. The compact A-, K-, L-, S- and T-coded M12 plug-in connectors are designed for the transmission of up to 630 V AC or 60 V DC and 12 A.

General ordering data

Version	Power distributor, M12, Hood version, Yes
Order No.	2009620000
Type	SAI-4-M-MVV-M12 1:1
GTIN (EAN)	4050118396041
Qty.	1 pc(s).

Creation date March 17, 2023 8:10:00 AM CET

Catalogue status 03.03.2023 / We reserve the right to make technical changes.

SAI-4-M-MVV-M12 1:1

Weidmüller Interface GmbH & Co. KG

Klingenbergstraße 26

D-32758 Detmold

Germany

www.weidmueller.com

Technical data

Dimensions and weights

Net weight	100 g
------------	-------

Temperatures

Operating temperature	-20 - 80 °C	Operating temperature, min.	-20 °C
Operating temperature, max.	80 °C		

Connection data

Conductor O.D., min.	10 mm	Conductor O.D., max.	14 mm
Sheathing stripping length	40 mm	Cable glands	M 20
Clamping range, min.	0.2 mm ²	Clamping range, max.	1.5 mm ²
Storage space	Standard	Distributor outlet	Hood version
Connection type PE	Screw connection		

Electrical data

Rated voltage, max.	400 V	Max. current-carrying capacity per slot	36 A
Total current	144 A	Current per signal	12 A
Electrical isolation available	No		

General technical data

Plug-in station coding	S	Protection degree	IP68
Number of poles	4	Number of contact sockets	4
Connection thread	M12	Pollution severity	3
Fire behaviour	V-0	Plugging cycles	≥ 50
LED	Yes	LED colour for indicating operation	No

Material data

Housing main material	Pocan	Material of distributor	Plastic
Housing colour	grey, RAL 7032	Hood sealing material	Viton
Screw socket	Nickel-plated CuZn	Contact material	CuZn
Contact surface	Gold-plated	Contact carrier material	PBT (UL 94 V0)

Technical data cable

Conductor O.D., max.	14 mm	Conductor O.D., min.	10 mm
Number of poles	4		

Classifications

ETIM 6.0	EC002585	ETIM 7.0	EC003558
ETIM 8.0	EC003558	ECLASS 9.0	27-44-01-08
ECLASS 9.1	27-44-01-08	ECLASS 10.0	27-44-01-11
ECLASS 11.0	27-44-01-11	ECLASS 12.0	27-44-01-11

Environmental Product Compliance

REACH SVHC	Lead 7439-92-1
------------	----------------

SAI-4-M-MVV-M12 1:1

Weidmüller Interface GmbH & Co. KG
Klingenbergstraße 26
D-32758 Detmold
Germany

www.weidmueller.com

Technical data

Approvals

Approvals



ROHS

Conform

Downloads

Engineering Data	CAD data – STEP
Engineering Data	WSCAD
Catalogues	Catalogues in PDF-format
Brochures	FL FIELDWIRING EN

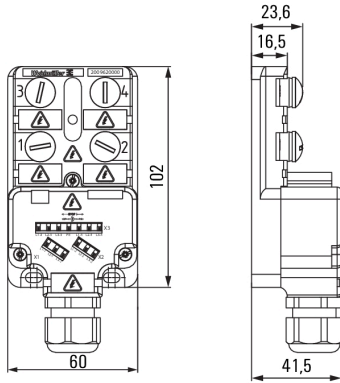
SAI-4-M-MVV-M12 1:1

Weidmüller Interface GmbH & Co. KG
 Klingenbergstraße 26
 D-32758 Detmold
 Germany

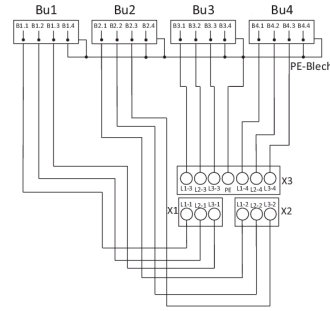
www.weidmueller.com

Drawings

Dimensioned drawing



Wiring diagram



Dimensioned drawing

