

## IE-FC-DIP-PWB/2ST/FILS

**Weidmüller Interfaces GmbH & Co. KG**

Postfach 3030

32760 Detmold

Tel. +49 5231 14-0

Fax. +49 5231 14-2083

info@weidmueller.com

www.weidmueller.com



FrontCom® Vario integrates multiple functions in only one single frame. The system is easy to install and you can select from a wide range of data, signal and power modules. In addition to being extremely compact, FrontCom® Vario offers a number of unique product features that will make your project planning and work activities secure, fast and future-proof. Furthermore, the FrontCom® Vario system has an attractive housing design that, by the way, offers highest impact-resistance and fully meets the requirements of IP 65 protection class.

### General ordering data

Version	FrontCom, Insert plate, unshielded, 1x Power, 2x Data, 1 x preparation of RCBO
Order No.	<a href="#">2067070000</a>
Type	IE-FC-DIP-PWB/2ST/FILS
GTIN (EAN)	4050118415605
Qty.	1 Stück

## IE-FC-DIP-PWB/2ST/FILS

Weidmüller Interfaces GmbH & Co. KG

Postfach 3030

32760 Detmold

Tel. +49 5231 14-0

Fax. +49 5231 14-2083

info@weidmueller.com

www.weidmueller.com

## Technische Daten

### Dimensions and weights

Height	74 mm	Height (inches)	2.913 inch
Width	116.5 mm	Width (inches)	4.587 inch
Length	90.5 mm	Length (inches)	3.563 inch
Net weight	52.38 g		

### Temperatures

Operating temperature	-40 °C...70 °C	Operating temperature, min.	-40 °C
Operating temperature, max.	70 °C		

### General data

Material	Polycarbonate PC	Product type	Insert plate, unshielded
----------	------------------	--------------	--------------------------

### Inserts

Insert Power large	1	Insert RCBO (2 modular width units)	1
Insert suitable for RCBO according to standard	DIN43880	Insert, data	2

### General standards

Certificate No. (CSA)	2000039-80039714	Certificate No. (cURus)	E223801
-----------------------	------------------	-------------------------	---------

### Classifications

ETIM 6.0	EC000456	ETIM 7.0	EC000456
ETIM 8.0	EC000456	ECLASS 9.0	27-18-28-06
ECLASS 9.1	27-18-92-90	ECLASS 10.0	27-18-28-06
ECLASS 11.0	27-18-28-06	ECLASS 12.0	27-18-28-92

### Environmental Product Compliance

REACH SVHC	Potassium perfluorobutane sulfonate 29420-49-3
SCIP	67cf1078-beca-4687-860b-dc475a6ec24a

### Approvals

Approvals



ROHS	Conform
UL File Number Search	UL Website
Certificate No. (cURus)	E223801

### Downloads

Engineering Data	<a href="#">CAD data – STEP</a>
Engineering Data	<a href="#">EPLAN</a>
User Documentation	<a href="#">Designation key / Type key</a>
Catalogues	<a href="#">Catalogues in PDF-format</a>

**IE-FC-DIP-PWB/2ST/FILS**

Weidmüller Interfaces GmbH & Co. KG

Postfach 3030

32760 Detmold

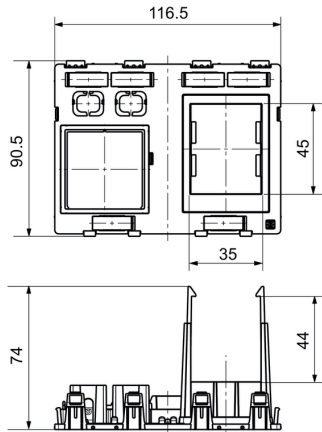
Tel. +49 5231 14-0

Fax. +49 5231 14-2083

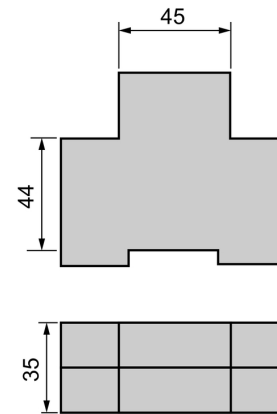
**Zeichnungen**

info@weidmueller.com

**Dimensioned drawing**



**Detailed drawing**



Suitable RCBO for the RCBO cut-out has the dimensions in the drawing (acc. to DIN 43880). Every RCBO with this dimension will fit.