

IE-FC-DSP-PWB/2ST/FILS

Weidmüller Interfaces GmbH & Co. KG

Postfach 3030

32760 Detmold

Tel. +49 5231 14-0

Fax. +49 5231 14-2083

info@weidmueller.com

www.weidmueller.com



FrontCom® Vario integrates multiple functions in only one single frame. The system is easy to install and you can select from a wide range of data, signal and power modules. In addition to being extremely compact, FrontCom® Vario offers a number of unique product features that will make your project planning and work activities secure, fast and future-proof. Furthermore, the FrontCom® Vario system has an attractive housing design that, by the way, offers highest impact-resistance and fully meets the requirements of IP 65 protection class.

General ordering data

Version	FrontCom, Insert plate, shielded, 1x Power, 2x Data, 1 x preparation of RCBO
Order No.	2067080000
Type	IE-FC-DSP-PWB/2ST/FILS
GTIN (EAN)	4050118415612
Qty.	1 Stück

IE-FC-DSP-PWB/2ST/FILS

Weidmüller Interfaces GmbH & Co. KG

Postfach 3030

32760 Detmold

Tel. +49 5231 14-0

Fax. +49 5231 14-2083

info@weidmuller.com

www.weidmuller.com

Technische Daten

Dimensions and weights

Height	74 mm	Height (inches)	2.913 inch
Width	116.5 mm	Width (inches)	4.587 inch
Length	90.5 mm	Length (inches)	3.563 inch
Net weight	54.37 g		

Temperatures

Operating temperature	-40 °C...70 °C	Operating temperature, min.	-40 °C
Operating temperature, max.	70 °C		

General data

Material	Polycarbonate PC	Product type	Insert plate, shielded
----------	------------------	--------------	------------------------

Inserts

Insert Power large	1	Insert RCBO (2 modular width units)	1
Insert suitable for RCBO according to standard	DIN43880	Insert, data	2

General standards

Certificate No. (CSA)	2000039-80039714	Certificate No. (cURus)	E223801
-----------------------	------------------	-------------------------	---------

Classifications

ETIM 6.0	EC000456	ETIM 7.0	EC000456
ETIM 8.0	EC000456	ECLASS 9.0	27-18-28-06
ECLASS 9.1	27-18-92-90	ECLASS 10.0	27-18-28-06
ECLASS 11.0	27-18-28-06	ECLASS 12.0	27-18-28-92

Environmental Product Compliance

REACH SVHC	Potassium perfluorobutane sulfonate 29420-49-3
SCIP	67cf1078-beca-4687-860b-dc475a6ec24a

Approvals

Approvals



ROHS	Conform
UL File Number Search	UL Website
Certificate No. (cURus)	E223801

Downloads

Engineering Data	CAD data – STEP
Engineering Data	EPLAN
User Documentation	Designation key / Type key
Catalogues	Catalogues in PDF-format

IE-FC-DSP-PWB/2ST/FILS

Weidmüller Interfaces GmbH & Co. KG

Postfach 3030

32760 Detmold

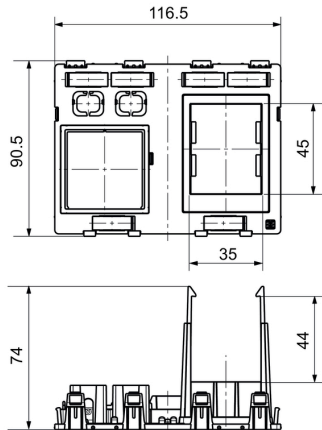
Tel. +49 5231 14-0

Fax. +49 5231 14-2083

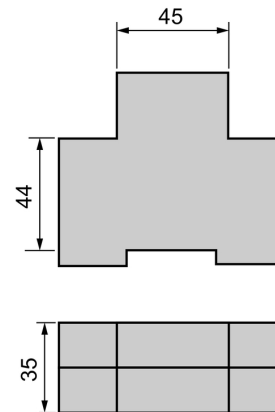
Zeichnungen

info@weidmueller.com

Dimensioned drawing



Detailed drawing



Suitable RCBO for the RCBO cut-out has the dimensions in the drawing (acc. to DIN 43880). Every RCBO with this dimension will fit.