

**SAIE-M12S-5A-F-LK****Weidmüller Interface GmbH & Co. KG**

Klingenbergstraße 26

D-32758 Detmold

Germany

www.weidmueller.com



Weidmüller is one of the industry's leading international providers of connectors. An important mainstay in this product family are the circular connectors, which Weidmüller groups under the product name SAI. In the development of SAI products, Weidmüller engineers have always concentrated on achieving rational, cost-effective installation concepts, and – in cooperation with major users – have supplied the markets with well-conceived products which set standards in terms of functionality and quality across the globe. The best examples are the new power distributors with S and T coded M12. These modules are characterised by particularly high currents and voltages. This enables them to also be used, for example, with three-phase motors.

**General ordering data**

Version	Built-in plugs, M12, M 12, Number of poles: 5, Front mounting
Order No.	<a href="#">2424160000</a>
Type	SAIE-M12S-5A-F-LK
GTIN (EAN)	4050118432398
Qty.	10 pc(s).

Creation date March 9, 2023 7:59:41 PM CET

Catalogue status 03.03.2023 / We reserve the right to make technical changes.

## SAIE-M12S-5A-F-LK

Weidmüller Interface GmbH &amp; Co. KG

Klingenbergstraße 26

D-32758 Detmold

Germany

www.weidmueller.com

## Technical data

## Dimensions and weights

Net weight	16.2 g
------------	--------

## Technical data of PCB plug-in connector

Coding	A
Housing surface	nickel-plated
Housings	M12 pin
Mounting thread	M16
Number of poles	5
Shield connection	No
Type of mounting	Front mounting
Rated voltage	60 V
Rated voltage	250 V (4-pole) / 60 V (5-pole)
Rated current	4 A
Rated current	4 A
Temperature range	-30...80 °C
Protection degree	IP67
Contact surface	Au (Gold)
Housing main material	CuZn, nickel-plated
Connection thread	M12
Tightening torque	M12: 0.8 Nm
Mounting thread	M16
Mounting torque	max. 1.2 Nm
Mounting torque range	1.2 Nm
Insulation strength	100 MΩ
Pollution severity	3 (2 within the sealed area)
Plugging cycles	≥ 100
Contact material	CuZn
Lock nut material	Nickel-plated CuZn
Material of the flange-mounted housing	Nickel-plated CuZn

## General Info

Number of poles	5	Housing main material	CuZn, nickel-plated
Connection thread	M12	Contact material	CuZn
Contact surface	Au (Gold)	Type of mounting	Front mounting
Protection degree	IP67	Plugging cycles	≥ 100

## Material data

Contact material	CuZn	Contact surface	Au (Gold)
------------------	------	-----------------	-----------

## System parameters

Insulation strength	100 MΩ	Number of poles	5
Pin series quantity	1	Plugging cycles	≥ 100
Protection degree	IP67		

## Classifications

ETIM 6.0	EC002635	ETIM 7.0	EC003569
ETIM 8.0	EC003569	ECLASS 9.0	27-44-01-03
ECLASS 9.1	27-44-01-03	ECLASS 10.0	27-44-01-09
ECLASS 11.0	27-44-01-09	ECLASS 12.0	27-44-01-09

Creation date March 9, 2023 7:59:41 PM CET

**SAIE-M12S-5A-F-LK**

**Weidmüller Interface GmbH & Co. KG**  
Klingenbergstraße 26  
D-32758 Detmold  
Germany

[www.weidmueller.com](http://www.weidmueller.com)

**Technical data****Environmental Product Compliance**

REACH SVHC	Lead 7439-92-1
SCIP	Oea6d931-f9e9-40a6-89d9-8d67103189d3

**Approvals**

ROHS	Conform
------	---------

**Downloads**

Engineering Data	<a href="#">CAD data – STEP</a>
Catalogues	<a href="#">Catalogues in PDF-format</a>
Brochures	<a href="#">FL FIELDWIRING EN</a>

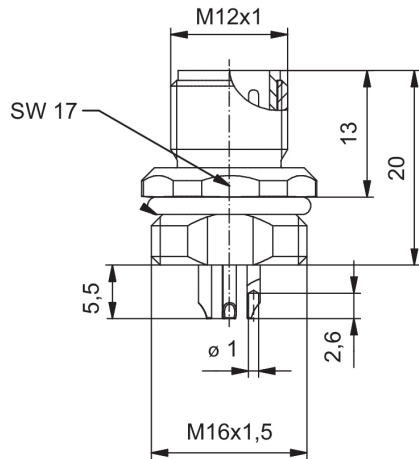
**SAIE-M12S-5A-F-LK**

**Weidmüller Interface GmbH & Co. KG**  
 Klingenbergstraße 26  
 D-32758 Detmold  
 Germany

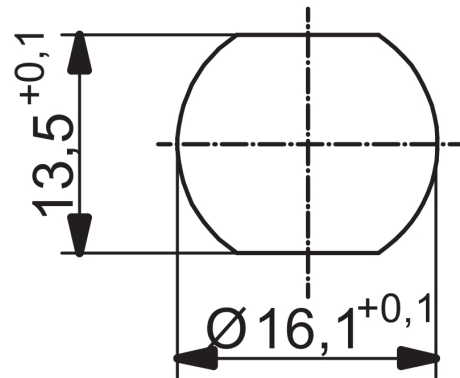
www.weidmueller.com

**Drawings**

**Dimensioned drawing**



**Front panel section**



**Pole scheme**

