

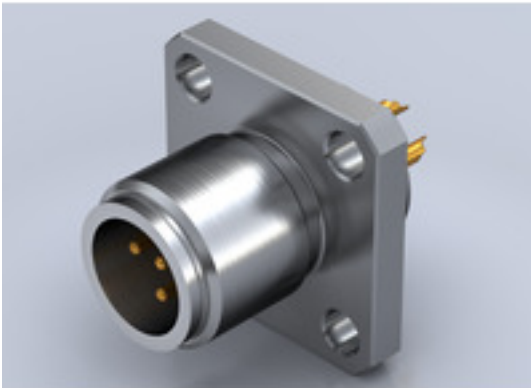
SAIE-M12S-5A-FV-20-LK**Weidmüller Interface GmbH & Co. KG**

Klingenbergstraße 26

D-32758 Detmold

Germany

www.weidmueller.com



Weidmüller is one of the industry's leading international providers of connectors. An important mainstay in this product family are the circular connectors, which Weidmüller groups under the product name SAI. In the development of SAI products, Weidmüller engineers have always concentrated on achieving rational, cost-effective installation concepts, and – in cooperation with major users – have supplied the markets with well-conceived products which set standards in terms of functionality and quality across the globe. The best examples are the new power distributors with S and T coded M12. These modules are characterised by particularly high currents and voltages. This enables them to also be used, for example, with three-phase motors.

General ordering data

Version	Built-in plugs, M12, M 12, Number of poles: 5, Front mounting
Order No.	2424270000
Type	SAIE-M12S-5A-FV-20-LK
GTIN (EAN)	4050118432206
Qty.	10 pc(s).

Creation date March 9, 2023 8:01:07 PM CET

Catalogue status 03.03.2023 / We reserve the right to make technical changes.

SAIE-M12S-5A-FV-20-LK

Weidmüller Interface GmbH & Co. KG

Klingenbergstraße 26

D-32758 Detmold

Germany

www.weidmueller.com

Technical data

Dimensions and weights

Net weight 18.5 g

Technical data of PCB plug-in connector

Coding	A	Housing surface	nickel-plated
Housings	M12 pin	Number of poles	5
Shield connection	No	Type of mounting	Front mounting
Rated voltage	60 V	Rated voltage	250 V (4-pole) / 60 V (5-pole)
Rated current	4 A	Rated current	4 A
Temperature range	-30...80 °C	Protection degree	IP67
Contact surface	Au (Gold)	Housing main material	CuZn, nickel-plated
Connection thread	M12	Tightening torque	M12: 0.8 Nm
Insulation strength	100 MΩ	Pollution severity	3 (2 within the sealed area)
Plugging cycles	≥ 100	Contact material	CuZn
Lock nut material	Nickel-plated CuZn	Material of the flange-mounted housing	Nickel-plated CuZn

General Info

Number of poles	5	Housing main material	CuZn, nickel-plated
Connection thread	M12	Contact material	CuZn
Contact surface	Au (Gold)	Type of mounting	Front mounting
Protection degree	IP67	Plugging cycles	≥ 100

Material data

Contact material CuZn Contact surface Au (Gold)

System parameters

Insulation strength	100 MΩ	Number of poles	5
Pin series quantity	1	Plugging cycles	≥ 100
Protection degree	IP67		

Classifications

ETIM 6.0	EC002635	ETIM 7.0	EC003569
ETIM 8.0	EC003569	ECLASS 9.0	27-44-01-03
ECLASS 9.1	27-44-01-03	ECLASS 10.0	27-44-01-09
ECLASS 11.0	27-44-01-09	ECLASS 12.0	27-44-01-09

Environmental Product Compliance

REACH SVHC Lead 7439-92-1
SCIP Oea6d931-f9e9-40a6-89d9-8d67103189d3

Approvals

ROHS Conform

Data sheet**SAIE-M12S-5A-FV-20-LK****Weidmüller Interface GmbH & Co. KG**
Klingenbergstraße 26
D-32758 Detmold
Germanywww.weidmueller.com**Technical data****Downloads**

Engineering Data	CAD data – STEP
Catalogues	Catalogues in PDF-format
Brochures	FL FIELDWIRING EN

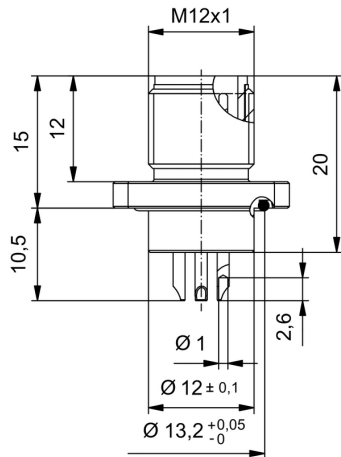
SAIE-M12S-5A-FV-20-LK

Weidmüller Interface GmbH & Co. KG
 Klingenbergstraße 26
 D-32758 Detmold
 Germany

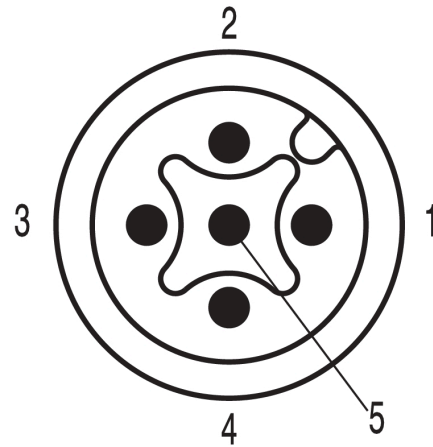
www.weidmueller.com

Drawings

Dimensioned drawing



Pole scheme



Installation cut-out

