

IE-FCI-PWB-FR/B/CZ**Weidmüller Interface GmbH & Co. KG**

Klingenbergstraße 26

D-32758 Detmold

Germany

www.weidmueller.com



FrontCom® Vario integrates multiple functions in only one single frame. The system is easy to install and you can select from a wide range of data, signal and power modules. In addition to being extremely compact, FrontCom® Vario offers a number of unique product features that will make your project planning and work activities secure, fast and future-proof. Furthermore, the FrontCom® Vario system has an attractive housing design that, by the way, offers highest impact-resistance and fully meets the requirements of IP 65 protection class.

General ordering data

| | |
|------------|--|
| Version | FrontCom, Insert Power large, Type E, Socket connector, FR, CZ |
| Order No. | 2426700000 |
| Type | IE-FCI-PWB-FR/B/CZ |
| GTIN (EAN) | 4050118435139 |
| Qty. | 1 pc(s). |

Creation date March 9, 2023 8:06:09 PM CET

Catalogue status 03.03.2023 / We reserve the right to make technical changes.

IE-FCI-PWB-FR/B/CZ

Weidmüller Interface GmbH & Co. KG

Klingenbergstraße 26

D-32758 Detmold

Germany

www.weidmueller.com

Technical data

Dimensions and weights

| | |
|------------|------|
| Net weight | 29 g |
|------------|------|

Temperatures

| | | | |
|-----------------------------|---------------|-----------------------------|-------|
| Operating temperature | -5 °C...35 °C | Operating temperature, min. | -5 °C |
| Operating temperature, max. | 35 °C | | |

General data

| | | | |
|----------------|--------------------|-------------------|--------|
| Connector face | Type E | Fire load | 840 kJ |
| Insert type | Insert Power large | Protection degree | IP20 |

Clampable conductors

| | | |
|---|-----------------------------|---------------------|
| Conductor connection cross-section, extremely flexible with wire end ferrule | min. | 1.5 mm ² |
| | max. | 1.5 mm ² |
| Conductor connection cross-section, extremely flexible with wire end ferrule | 1.5 ... 1.5 mm ² | |
| Conductor connection cross-section, extremely flexible without wire end ferrule | min. | 1.5 mm ² |
| | max. | 2.5 mm ² |
| Conductor connection cross-section, extremely flexible without wire end ferrule | 1.5 ... 2.5 mm ² | |
| Conductor connection cross-section, flexible with wire end ferrule | max. | 1.5 mm ² |
| | min. | 1.5 mm ² |
| Conductor connection cross-section, flexible with wire end ferrule | 1.5 ... 1.5 mm ² | |
| Conductor connection cross-section, flexible without wire end ferrule | 1.5 ... 2.5 mm ² | |
| Conductor connection cross-section, flexible without wire end ferrule | min. | 1.5 mm ² |
| | max. | 2.5 mm ² |
| Conductor connection cross-section, rigid | 1.5 ... 2.5 mm ² | |
| Conductor connection cross-section, rigid | min. | 1.5 mm ² |
| | max. | 2.5 mm ² |
| Stripping length | 12 mm | |
| Type of connection | PUSH IN | |

Technical data

| | | | |
|-----------------------|------------------|---------------|------|
| Housing main material | Polycarbonate PC | Rated current | 16 A |
| Rated voltage (AC) | 250 V | | |

Classifications

| | | | |
|-------------|-------------|-------------|-------------|
| ETIM 6.0 | EC001121 | ETIM 7.0 | EC001121 |
| ETIM 8.0 | EC001121 | ECLASS 9.0 | 27-44-03-90 |
| ECLASS 9.1 | 27-18-90-90 | ECLASS 10.0 | 27-44-03-90 |
| ECLASS 11.0 | 27-44-03-90 | ECLASS 12.0 | 27-18-28-92 |

Approvals

| | |
|------|---------|
| ROHS | Conform |
|------|---------|

Creation date March 9, 2023 8:06:09 PM CET

Catalogue status 03.03.2023 / We reserve the right to make technical changes.

IE-FCI-PWB-FR/B/CZ

Weidmüller Interface GmbH & Co. KG
Klingenbergstraße 26
D-32758 Detmold
Germany

www.weidmueller.com

Technical data**Downloads**

| | |
|-----------------------------|--|
| Engineering Data | CAD data – STEP |
| Product Change Notification | 20211129 Technical change for FrontCom Vario socket inserts 20211129 Technische Änderung zu Steckdoseneinsätzen FrontCom Vario-2 |
| User Documentation | MAN IE GUIDE DE MAN IE GUIDE EN Socket Insert Overview EN Socket Insert Overview DE Designation key / Type key |
| Catalogues | Catalogues in PDF-format |
| Brochures | MB FREECONCONTACT EN FL FIELDWIRING EN PI PROFINET CABLING EN |

Data sheet

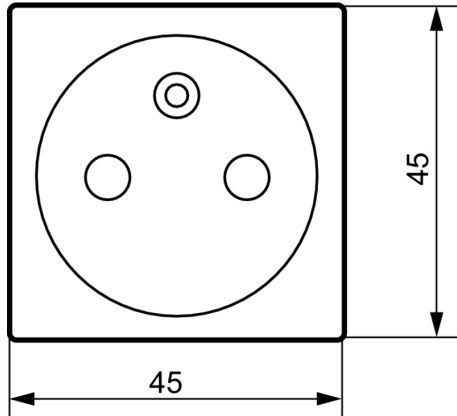
IE-FCI-PWB-FR/B/CZ

Weidmüller Interface GmbH & Co. KG
Klingenbergstraße 26
D-32758 Detmold
Germany

www.weidmueller.com

Drawings

Dimensioned drawing



Dimensioned drawing

