

WGK 25 VP GN/YE BX

Weidmüller Interfaces GmbH & Co. KG

Postfach 3030

32760 Detmold

Tel. +49 5231 14-0

Fax. +49 5231 14-2083

info@weidmueller.com

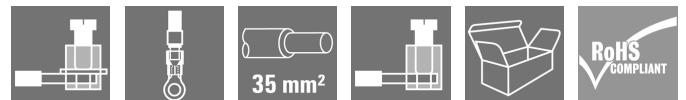
www.weidmueller.com

Product image



Similar to illustration

The WGK finger-proof-insulated enclosures are especially suitable as industrial electronic enclosures for frequency converters, power supplies or filter components which offer a convenient and reliable form of connection internally and externally. To match the wire guides to the installation requirements in the best possible way, Weidmüller offers two versions with horizontal (WGK) and vertical (WGKV) outlet directions.



General ordering data

| | |
|--------------|---|
| Version | OMNIMATE Power - series WGK, Feed-through terminal, Rated cross-section: 25 mm², Wemid (PA) |
| Order No. | 2444700000 |
| Type | WGK 25 VP GN/YE BX |
| GTIN (EAN) | 4050118480306 |
| Qty. | 50 Stück |
| Product data | IEC: 690 V / 101 A / 6 - 35 mm² UL: 600 V / 100 A / AWG 10 - AWG 3 |
| Packaging | Box |

WGK 25 VP GN/YE BX

Weidmüller Interfaces GmbH & Co. KG

Postfach 3030

32760 Detmold

Tel. +49 5231 14-0

Fax. +49 5231 14-2083

info@weidmueller.com

www.weidmueller.com

Technische Daten

Dimensions and weights

Net weight 48.1 g

Temperatures

Operating temperature, min. -50 °C Operating temperature, max. 120 °C

System parameters

| | | | |
|----------------------------|--------------------------------|---|--------------------------------------|
| Product family | OMNIMATE Power - series WGK | Wire connection method | Cable lug: ring cable / spade lug |
| Conductor outlet direction | 180° | Fitted by customer | No |
| Screwdriver blade | 1.2 x 6.5 | Tightening torque, min. | 4 Nm |
| Tightening torque, max. | 4.5 Nm | Clamping screw | M 6 |
| Stripping length | 18 mm | Touch-safe protection acc. to DIN VDE 0470 | IP 20 |
| Protection degree | IP20 | | |

Material data

| | | | |
|---------------------------------------|---------------|---------------------------------------|--------------|
| Insulating material | Wemid (PA) | Colour | Green/yellow |
| Colour chart (similar) | Not specified | UL 94 flammability rating | V-0 |
| Contact material | E-Cu | Contact surface | tinned |
| Storage temperature, min. | -40 °C | Storage temperature, max. | 70 °C |
| Operating temperature, min. | -50 °C | Operating temperature, max. | 120 °C |
| Temperature range, installation, min. | -25 °C | Temperature range, installation, max. | 120 °C |

Conductors suitable for connection

| | |
|--|--------------------|
| Clamping range, min. | 4 mm ² |
| Clamping range, max. | 35 mm ² |
| Wire connection cross section AWG, min. | AWG 10 |
| Wire connection cross section AWG, max. | AWG 3 |
| Solid, min. H05(07) V-U | 6 mm ² |
| Solid, max. H05(07) V-U | 16 mm ² |
| Stranded, min. H07V-R | 10 mm ² |
| Stranded, max. H07V-R | 35 mm ² |
| Flexible, min. H05(07) V-K | 10 mm ² |
| Flexible, max. H05(07) V-K | 25 mm ² |
| w. wire end ferrule, DIN 46228 pt 1, min. | 4 mm ² |
| w. wire end ferrule, DIN 46228 pt 1, max. | 25 mm ² |

WGK 25 VP GN/YE BX

Weidmüller Interfaces GmbH & Co. KG

Postfach 3030

32760 Detmold

Tel. +49 5231 14-0

Technische Daten

Fax. +49 5231 14-2083

| | | | |
|---------------------|--|---------|--------------------|
| Clampable conductor | Cross-section for conductor connection | Type | fine-wired |
| | wire end ferrule | nominal | 4 mm ² |
| | Cross-section for conductor connection | Type | fine-wired |
| | wire end ferrule | nominal | 6 mm ² |
| | Cross-section for conductor connection | Type | fine-wired |
| | wire end ferrule | nominal | 10 mm ² |
| | Cross-section for conductor connection | Type | fine-wired |
| | wire end ferrule | nominal | 25 mm ² |
| | Cross-section for conductor connection | Type | fine-wired |
| | wire end ferrule | nominal | 4 mm ² |
| | Cross-section for conductor connection | Type | fine-wired |
| | wire end ferrule | nominal | 6 mm ² |
| | Cross-section for conductor connection | Type | fine-wired |
| | wire end ferrule | nominal | 10 mm ² |
| | Cross-section for conductor connection | Type | fine-wired |
| | wire end ferrule | nominal | 25 mm ² |
| | Cross-section for conductor connection | Type | fine-wired |
| | wire end ferrule | nominal | 4 mm ² |
| | Cross-section for conductor connection | Type | fine-wired |
| | wire end ferrule | nominal | 6 mm ² |
| | Cross-section for conductor connection | Type | fine-wired |
| | wire end ferrule | nominal | 10 mm ² |
| | Cross-section for conductor connection | Type | fine-wired |
| | wire end ferrule | nominal | 25 mm ² |

Reference text Length of ferrules is to be chosen depending on the product and the rated voltage., The outside diameter of the plastic collar should not be larger than the pitch (P)

Rated data acc. to IEC

| | | | |
|---|-------------|--|-------|
| tested acc. to standard | IEC 60664-1 | Rated current, min. number of poles (Tu=20°C) | 101 A |
| Rated current, max. number of poles (Tu=20°C) | 101 A | Rated voltage for surge voltage class / pollution degree III/3 | 690 V |
| Rated impulse voltage for surge voltage class/ contamination degree III/3 | 6 kV | | |

Rated data acc. to CSA

| | | | |
|-----------------------------------|--------|-----------------------------------|-------|
| Rated voltage (Use group B / CSA) | 600 V | Rated voltage (Use group C / CSA) | 600 V |
| Rated current (Use group B / CSA) | 100 A | Rated current (Use group C / CSA) | 100 A |
| Wire cross-section, AWG, min. | AWG 10 | Wire cross-section, AWG, max. | AWG 3 |

Rated data acc. to UL 1059

| | | | |
|---------------------------------------|--|---------------------------------------|--------|
| Institute (cURus) | | Certificate No. (cURus) | E60693 |
| Rated voltage (Use group B / UL 1059) | 600 V | Rated voltage (Use group C / UL 1059) | 600 V |
| Rated current (Use group B / UL 1059) | 100 A | Rated current (Use group C / UL 1059) | 100 A |
| Wire cross-section, AWG, min. | AWG 10 | Wire cross-section, AWG, max. | AWG 3 |
| Reference to approval values | Specifications are maximum values, details - see approval certificate. | | |

Packing

| | | | |
|-----------|--------|------------|--------|
| Packaging | Box | VPE length | 325 mm |
| VPE width | 160 mm | VPE height | 68 mm |

WGK 25 VP GN/YE BX

Weidmüller Interfaces GmbH & Co. KG

Postfach 3030

32760 Detmold

Tel. +49 5231 14-0

Fax. +49 5231 14-2083

info@weidmueller.com

Technische Daten

Classifications

| | | | |
|-------------|-------------|-------------|---------------------|
| ETIM 6.0 | EC001283 | ETIM 7.0 | www.weidmueller.com |
| ETIM 8.0 | EC001283 | ECLASS 9.0 | 27-14-11-34 |
| ECLASS 9.1 | 27-14-11-34 | ECLASS 10.0 | 27-14-11-34 |
| ECLASS 11.0 | 27-14-11-34 | ECLASS 12.0 | 27-14-11-34 |

Important note

Notes

- Clearance and creepage distances to other components must be devised in accordance with the relevant application standard. This can be achieved in the device by full encapsulation or by the use of additional spacer plates.
- Rated data refer only to the component itself. Clearance and creepage distances to other components are to be designed in accordance with the relevant application standards.
- Colours: SW = black; GN/YL = green/yellow; GY = grey
- Additional variants on request
- WGK: Rated voltage plastic walls: 1 - 6 mm = 800 V; metal walls: 1 - 4 mm = 800 V; metal walls: 4 - 6 mm = 690 V
- WGKV: Rated voltage plastic walls: 1 - 6 mm = 800 V; metal walls: 1 - 4 mm = 800 V; metal walls: 4 - 6 mm = 690 V
- WGK...VP: Rated voltage plastic walls: 1 - 6 mm = 800 V; metal walls: 1 - 2.5 mm = 800 V; metal walls: 2.5 - 4 mm = 690 V; metal walls: 4 - 6 mm = 500 V
- Long term storage of the product with average temperature of 50 °C and average humidity 70%, 36 months

Approvals

Approvals



| | |
|-------------------------|------------|
| ROHS | Conform |
| UL File Number Search | UL Website |
| Certificate No. (cURus) | E60693 |

Downloads

| | |
|------------------|---|
| Engineering Data | CAD data – STEP |
| Catalogues | Catalogues in PDF-format |
| Brochures | FL DRIVES EN MB DEVICE MANUF. EN FL DRIVES DE FL_BASE_STATION_EN FL ELEVATOR EN FL POWER SUPPLY EN FL 72H SAMPLE SER EN PO OMNIMATE EN |

WGK 25 VP GN/YE BX

Weidmüller Interfaces GmbH & Co. KG

Postfach 3030

32760 Detmold

Tel. +49 5231 14-0

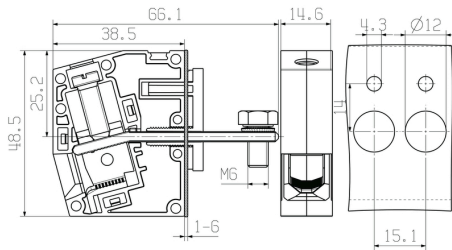
Fax. +49 5231 14-2083

info@weidmueller.com

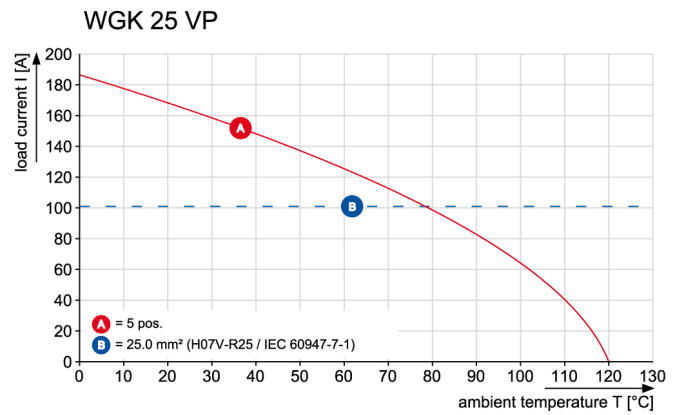
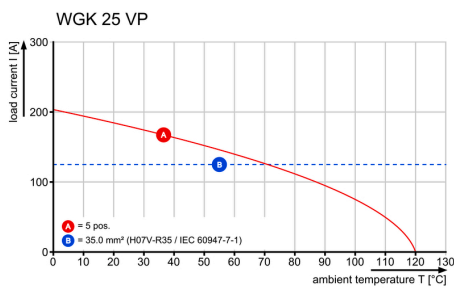
www.weidmueller.com

Zeichnungen

Dimensional drawing

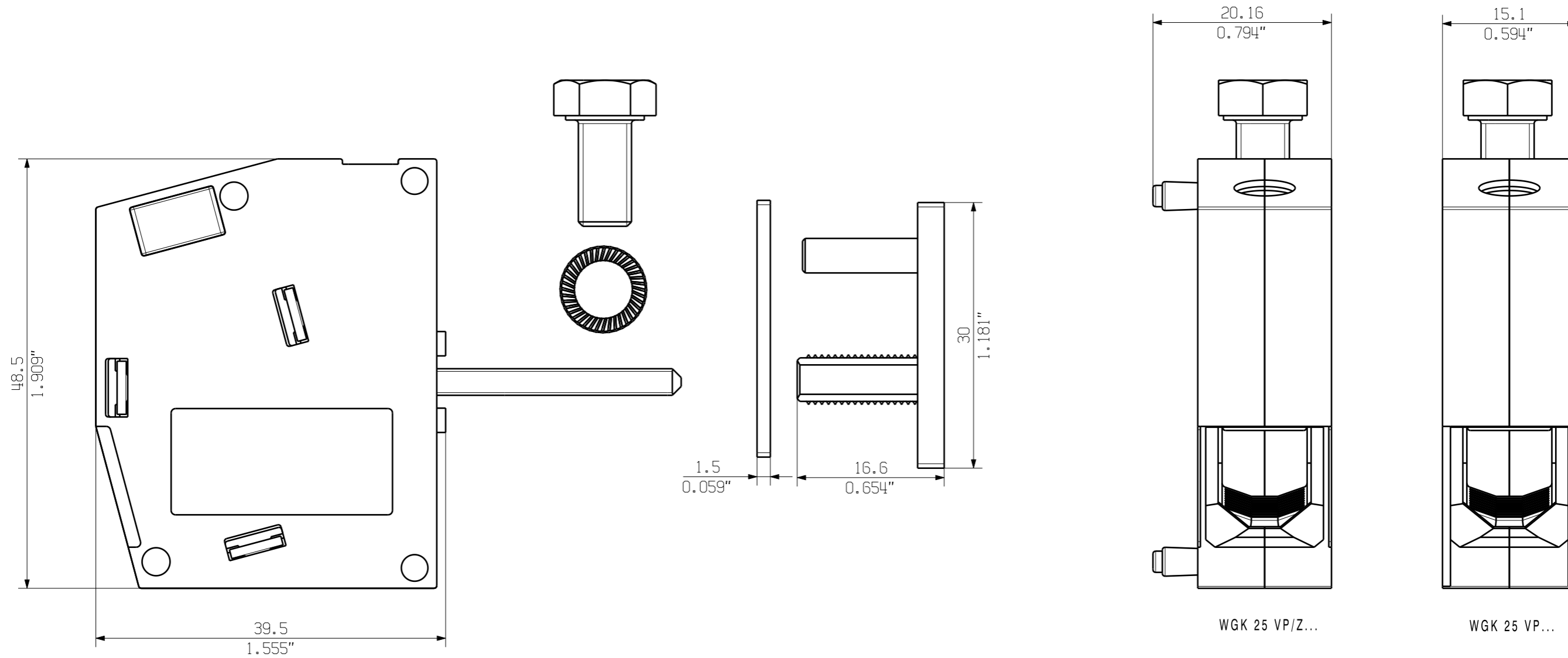


Derating curve



The reproduction, distribution and utilization of this document as well as the communication of its contents to others without explicit authorization is prohibited. Offenders will be held liable for the payment of damages. Weidmüller exclusively reserves the right to file for patents, utility models or designs.

© Weidmüller Interface GmbH & Co. KG



KUNDENZEICHNUNG
CUSTOMER DRAWING

BEMESSUNGSDATEN
RATED DATA
BEMESSUNGSQUERSCHNITT
RATED CROSS-SECTION 25 mm²
BEMESSUNGSSTROM
RATED CURRENT 125 A
BEMESSUNGSSPANNUNG
RATED VOLTAGE 690 V

| | | | | | |
|--------------------------------------|-------------|-----------------------------|------------|--|--|
| GENERAL TOLERANCE: DIN ISO 2768-m | | 91733/5 21.03.17 MA_J 00 | | Cat.no.: . | |
| RoHS COMPLIANT | Max. nos. | Modification | | Weidmüller | |
| | Drawn | Date | Name | C 43020 05 Drawing no. Issue no. | |
| Scale: 2/1 | Responsible | 10.05.2006 | SCHLINKE_F | Sheet 01 of 01 sheets | |
| Supersedes: . | Checked | 21.03.2017 | ZHOU_N | WGK 25 VP ... DURCHFUEHRUNGSKLEMME FEED-THROUGH TERMINAL | |
| | Approved | | XU_S | | |