

**RCM330730****Weidmüller Interface GmbH & Co. KG**

Klingenbergstraße 26

D-32758 Detmold

Germany

www.weidmueller.com

**Product image**

Similar to illustration

**General ordering data**

|            |   |
|------------|---|
| Version    | RIDERSERIES RCM, Relay, Number of contacts: 3, CO contact without test button AgNi gold-plated, Rated control voltage: 230 V AC, Continuous current: 10 A, Plug-in connection, Test button available: Yes |
| Order No.  | <a href="#">2450460000</a>  |
| Type       | RCM330730   |
| GTIN (EAN) | 4050118464436   |
| Qty.       | 10 pc(s).   |

Creation date March 9, 2023 8:54:04 PM CET

Catalogue status 03.03.2023 / We reserve the right to make technical changes.

## RCM330730

Weidmüller Interface GmbH &amp; Co. KG

Klingenbergstraße 26

D-32758 Detmold

Germany

www.weidmueller.com

## Technical data

## Dimensions and weights

|            |         |                 |            |
|------------|---------|-----------------|------------|
| Depth      | 29 mm   | Depth (inches)  | 1.142 inch |
| Height     | 28 mm   | Height (inches) | 1.102 inch |
| Width      | 22.5 mm | Width (inches)  | 0.886 inch |
| Net weight | 27.6 g  |                 |            |

## Temperatures

|                             |  |                             |                |
|-----------------------------|--|-----------------------------|----------------|
| Storage temperature         | -40 °C...85 °C                                 | Operating temperature       | -40 °C...70 °C |
| Operating temperature, min. | -40 °C   | Operating temperature, max. | 70 °C          |
| Humidity                    | 40 °C / 93 % rel. humidity,<br>no condensation |                             |                |

## Rated data UL

|                         |         |
|-------------------------|---------|
| Certificate No. (cURus) | E522350 |
|-------------------------|---------|

## Control side

|                       |                         |                                |                 |
|-----------------------|-------------------------|--------------------------------|-----------------|
| Rated control voltage | 230 V AC                | Rated current AC               | 4.4 mA          |
| Power rating          | 1012 mVA                | Pull-in/drop-out voltage, typ. | 184 V / 69 V AC |
| Coil resistance       | 19465 $\Omega \pm 15\%$ | Coil tolerance                 | 15 %            |
| Status indicator      | No                      |                                |                 |

## Load side

|   |  |   |  |
|---|--|---|--|
| Rated switching voltage                 | 240 V AC   | Continuous current                      | 10 A   |
| Max. switching frequency at rated load  | 0.1 Hz   | Inrush current                          | 20 A / 20 ms                                 |
| AC switching capacity (resistive), max. | 2500 VA  | DC switching capacity (resistive), max. | 240 W @ 24 V                                 |
| Switch-on delay                         | $\leq 15$ ms   | Switch-off delay                        | $\leq 10$ ms                                 |
| Contact type                            | 3 CO contact without test<br>button (AgNi gold-plated) | Mechanical service life                 | AC coil $20 \times 10^6$ switching<br>cycles |
| Min. switching power                    | 1 mA @ 1 V   |   |  |

## General data

|                       |             |                           |          |
|-----------------------|-------------|---------------------------|----------|
| Test button available | Yes         | Version of test button    | lockable |
| Colour                | Transparent | UL 94 flammability rating | V-2      |

## Insulation coordination

|   |                                |                                     |                                |
|---|--------------------------------|-------------------------------------|--------------------------------|
| Rated voltage                                     | 250 V                          | Pollution severity                  | 2                              |
| Surge voltage category                            | III                            | Insulating material group           | IIIa                           |
| Creepage and clearance distance input –<br>output | $\geq 4$ mm                    | Dielectric strength, Input/Output   | 2.5 kV <sub>eff</sub> / 1 Min. |
| Dielectric strength of neighbouring<br>contacts   | 2.5 kV <sub>eff</sub> / 1 Min. | Dielectric strength of open contact | 1.2 kV <sub>eff</sub> / 1 min. |
| Impulse withstand voltage                         | 5 kV (1.2/50 $\mu$ s)          | Protection degree                   | IP20                           |

## Further details of approvals / standards

|                       |             |                         |                |
|-----------------------|-------------|-------------------------|----------------|
| Standards             | IEC 61810-1 | Certificate No. (CSA)   | 249409-2426937 |
| Certificate No. (VDE) | 40011762    | Certificate No. (cURus) | E522350        |

## RCM330730

Weidmüller Interface GmbH &amp; Co. KG

Klingenbergstraße 26

D-32758 Detmold

Germany

www.weidmueller.com

## Technical data

## Connection data

Wire connection method Plug-in connection

## Classifications

|             |             |             |             |
|-------------|-------------|-------------|-------------|
| ETIM 6.0    | EC001437    | ETIM 7.0    | EC001437    |
| ETIM 8.0    | EC001437    | ECLASS 9.0  | 27-37-16-01 |
| ECLASS 9.1  | 27-37-16-01 | ECLASS 10.0 | 27-37-16-01 |
| ECLASS 11.0 | 27-37-16-01 | ECLASS 12.0 | 27-37-16-01 |

## Approvals

Approvals



|                         |            |
|-------------------------|------------|
| ROHS                    | Conform    |
| UL File Number Search   | UL Website |
| Certificate No. (cURus) | E522350    |

## Downloads

|   |   |
|---|---|
| Approval/Certificate/Document of Conformity | <a href="#">EU Konformitätserklärung / EU Declaration of Conformity</a> |
| Engineering Data                            | <a href="#">WSCAD</a>   |
| Catalogues                                  | <a href="#">Catalogues in PDF-format</a>                                |

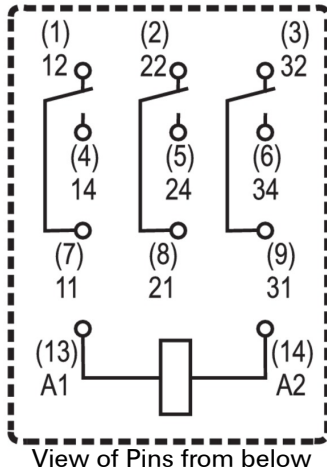
**RCM330730**

**Weidmüller Interface GmbH & Co. KG**  
 Klingenbergstraße 26  
 D-32758 Detmold  
 Germany

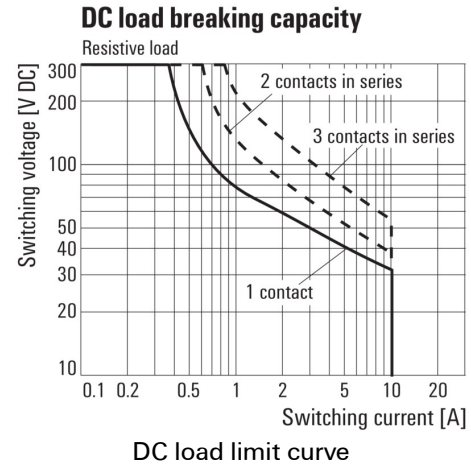
www.weidmueller.com

**Drawings**

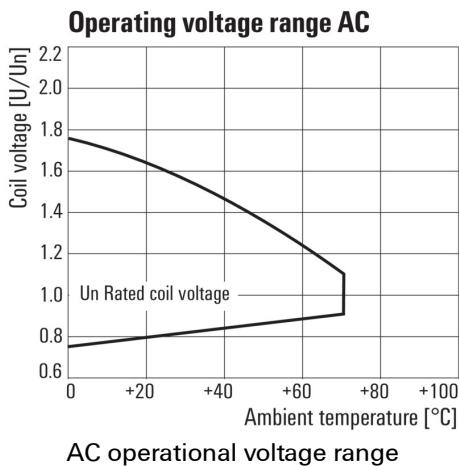
**Wiring diagram**



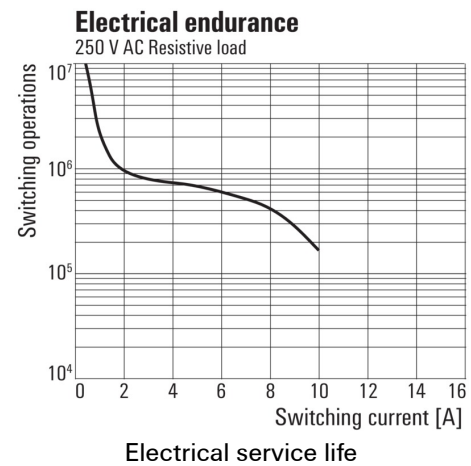
**Graph**



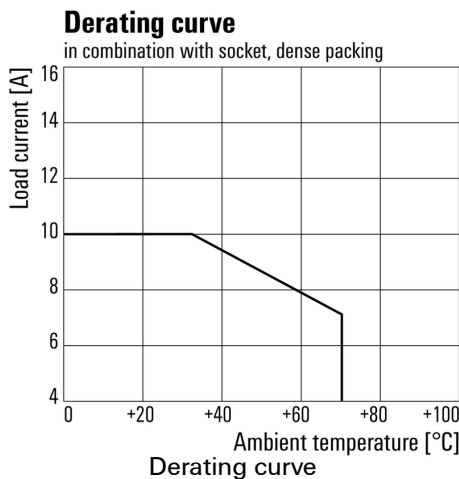
**Graph**



**Graph**



**Graph**



**Dimensional drawing**

