

ACT20X-HDI-SDO-RNO-P

Weidmüller Interface GmbH & Co. KG
 Klingenbergstraße 26
 D-32758 Detmold
 Germany

www.weidmueller.com

Product image, Similar to illustration



The ACT20X-HDI-SDO/ 2HDI-2SNO RNO/RNC isolating switch amplifiers are specially designed for recording NAMUR sensor signals and digital switching signals which originate from Ex zone 0.

Switching relays, optionally available with NO or NC contacts, transfer output signals to the safe zone.

Integrated alarm contacts issue an alert in the event of a malfunction; this makes troubleshooting easier and increases system availability.

The rail mounted disconnect-switch amplifiers are optionally available in one- or two-channel versions.

With 11 mm width per channel, the devices need little space in the electrical cabinet.

General ordering data

Version	EX signal isolating converter, Ex-input: NAMUR sensor/switch, Safe-output: relay, NO contact, 1-channel
Order No.	2456050000
Type	ACT20X-HDI-SDO-RNO-P
GTIN (EAN)	4050118471526
Qty.	1 Stück

Erstellungs-Datum May 25, 2023 2:26:35 PM CEST

Katalogstand 12.05.2023 / Technische Änderungen vorbehalten

ACT20X-HDI-SDO-RNO-P

Weidmüller Interface GmbH & Co. KG
 Klingenbergstraße 26
 D-32758 Detmold
 Germany

www.weidmueller.com

Technische Daten

Dimensions and weights

Depth	114.6 mm	Depth (inches)	4.512 inch
Height	127.3 mm	Height (inches)	5.012 inch
Width	22.5 mm	Width (inches)	0.886 inch
Net weight	177 g		

Temperatures

Storage temperature	-20 °C...85 °C	Operating temperature	-20 °C...60 °C
Operating temperature, min.	-20 °C	Operating temperature, max.	60 °C
Humidity	0...95 % (no condensation)		

Probability of failure

SIL PAPER	SIL certificate	SIL in compliance with IEC 61508	2
MTBF	207 Years		

Input EX

Input frequency	< 20 Hz	Input resistance	1 kΩ
Output signal in case of wire break	< 0.1 mA, > 6.5 mA (in case of wire break)	Pulse duration	> 0.1 ms
Resistance	RP = 750 Ω / RS = 15kΩ	Sensor	NAMUR sensor, according to EN60947-5-6, switch with or without RS, RP
Sensor supply	8 V DC / 8 mA	Trigger level high	> 2.1 mA
Trigger level low	< 1.2 mA	Type	intrinsically safe circuit

Digital output

Continuous current	≤ 2 A AC/DC (safe area, Zone 2 area)	Function	Output = input, direct or inverse (configurable)
Max. switching frequency	20 Hz	Nominal switching voltage	≤ 250 V AC / 30 V DC (safe area) ≤ 32 V AC / 32 V DC (zone 2)
Switching capacity	500 VA / 60 W (safe area), 16 VA / 60 W (zone 2)	Type	Relay, 1 NC contact, Switching frequency 20 Hz

Alarm output

Alarm function	Line interruption at the input, Short circuit at input, No supply voltage, Device error	Continuous current	≤ 0.5 A AC / 0.3 A DC (safe zone), ≤ 0.5 A AC / 1 A DC (zone 2)
Nominal switching voltage	≤ 125 V AC / 110 V DC (safe area) ≤ 32 V AC / 32 V DC (zone 2)	Power rating	≤ 62.5 VA / 32 W (safe area) ≤ 16 VA / 32 W (Zone 2)
Type	Status relay, 1 NC (voltage-free)		

ACT20X-HDI-SDO-RNO-P

Weidmüller Interface GmbH & Co. KG
 Klingenbergstraße 26
 D-32758 Detmold
 Germany

www.weidmueller.com

Technische Daten

General specifications

Configuration	With FDT/DTM software, Requires configuration adapter 8978580000 CBX200 USB	Humidity	0...95 % (no condensation)
NAMUR supply	8 V DC / 8 mA	Power consumption	≤ 1.3 W
Protection degree	IP20	Type of connection	PUSH IN
Voltage supply	19.2...31.2 V DC		

Insulation coordination

EMC standards	DIN EN 61326, NE 21	Insulation voltage	2.6 kV (input / output)
Rated voltage	300 V		

Data for Ex applications (ATEX)

Current I ₀	12 mA DC	Installation location	Device installed in safe area, zone 2
Marking	II (1) G [Ex ia Ga] IIC/IIB/ IIA, II (1) D [Ex ia Da] IIIC, I (M1) [Ex ia Ma] I	Power P ₀	32 mW
Voltage U ₀	10.6 V DC		

Safety-related basic specifications

Description of the "safe state"	de-energized (relay output)	Device type	B
Diagnostic test interval	10 s	T _{proof}	4 Years
Total failure rate for safe detected failures (λ _{SD})	0 FIT	Hardware fault tolerance (HFT)	0
Safety category	SIL 2	Relay lifetime	100000 times
Safe Failure Fraction (SFF)	90 %	Mean Time To Repair (MTTR)	8 h
Total failure rate for safe undetected failures (λ _{SU})	289 FIT	Total failure rate for dangerous detected failures (λ _{DD})	130 FIT
Total failure rate for dangerous undetected failures (λ _{DU})	46 FIT	Probability of outage PFH	4.66 x 10 ⁻⁸ h ⁻¹
Demand mode	High	Demand rate	1,000 s
Demand response time	< 10 ms (relay output)		

Safety-related specifications Low demand mode

Safe Failure Fraction (SFF)	90 %	Average Probability of Failure on Demand (PFD _{avg})	2.04 x 10 ⁻⁴ (T _{proof} = 1 year), 4.08 x 10 ⁻⁴ (T _{proof} = 2 years), 1.02 x 10 ⁻⁴ (T _{proof} = 5 years)
-----------------------------	------	--	---

ACT20X-HDI-SDO-RNO-P

Weidmüller Interface GmbH & Co. KG
 Klingenbergstraße 26
 D-32758 Detmold
 Germany

www.weidmueller.com

Technische Daten

Connection data

Type of connection	PUSH IN	Wire connection cross section AWG, min.	AWG 26
Wire connection cross section AWG, max.	AWG 14	Wire cross-section, solid, min.	0.2 mm ²
Wire cross-section, solid, max.	2.5 mm ²	Wire connection cross section, finely stranded, min.	0.2 mm ²
Wire connection cross section, finely stranded, max.	2.5 mm ²	Wire connection cross-section, finely stranded with wire-end ferrules DIN 46228/4, min.	0.2 mm ²
Wire connection cross-section, finely stranded with wire-end ferrules DIN 46228/4, max.	2.5 mm ²		

Guarantee

Time interval 3 years

Classifications

ETIM 6.0	EC002653	ETIM 7.0	EC002653
ETIM 8.0	EC002653	ECLASS 9.0	27-21-01-20
ECLASS 9.1	27-21-01-20	ECLASS 10.0	27-21-01-20
ECLASS 11.0	27-21-01-20	ECLASS 12.0	27-21-01-20

Environmental Product Compliance

REACH SVHC Lead 7439-92-1
 SCIP 2f6dd957-421a-46db-a0c2-cf1609156924

Approvals

Approvals



ROHS	Conform
UL File Number Search	UL Website
Certificate no. (cULus)	E337701

ACT20X-HDI-SDO-RNO-P

Weidmüller Interface GmbH & Co. KG
Klingenbergstraße 26
D-32758 Detmold
Germany

www.weidmueller.com

Technische Daten

Downloads

Approval/Certificate/Document of Conformity	Certification SIL Certification DNV GL Certification ATEX Certification IECEx Declaration of Conformity
Engineering Data	CAD data – STEP
Engineering Data	EPLAN
Software	Runtime Software – WI-Manager, DTM-Library for online installation Release notes for Weidmueller FDT-DTM Software version
User Documentation	Safety Manual for SIL application Instruction sheet Handbuch ACT20X- Serie, deutsch Manual ACT20X- series, english 20210120 Security Advisory - WI-Manager affected by MundM Software fdtCONTAINER vulnerability
Catalogues	Catalogues in PDF-format

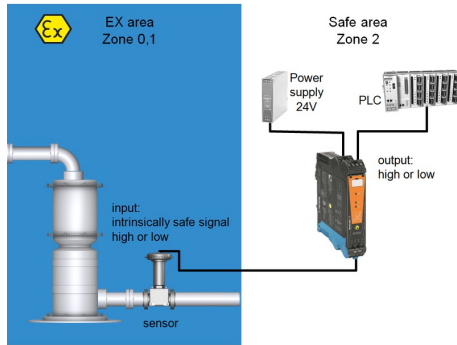
ACT20X-HDI-SDO-RNO-P

Weidmüller Interface GmbH & Co. KG
Klingenbergstraße 26
D-32758 Detmold
Germany

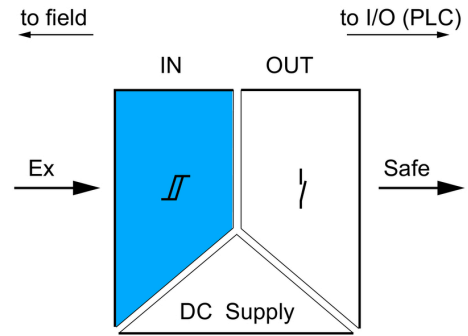
www.weidmueller.com

Zeichnungen

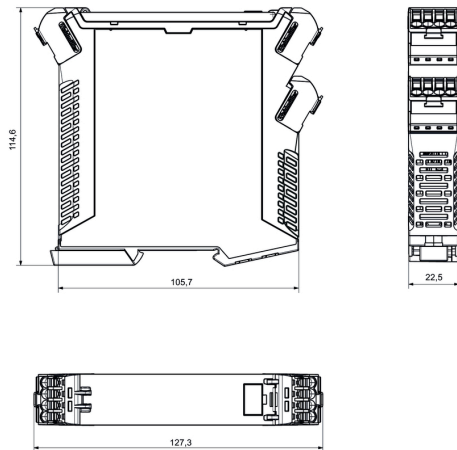
Application



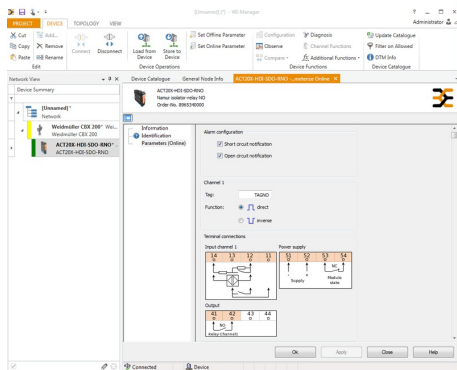
Block diagram



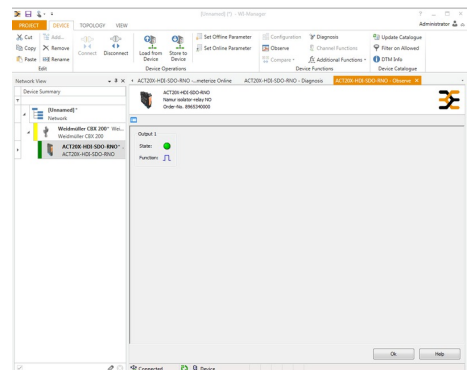
Dimensioned drawing



Similar to illustration



screenshot of configuration with FDT2 / DTM software



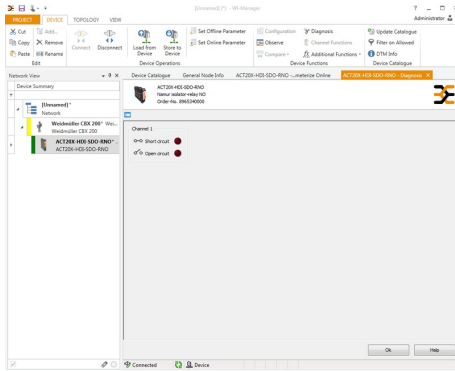
screenshot of "observe" with FDT2 / DTM software

ACT20X-HDI-SDO-RNO-P

Weidmüller Interface GmbH & Co. KG
 Klingenbergstraße 26
 D-32758 Detmold
 Germany

www.weidmueller.com

Zeichnungen



screenshot of "diagnosis" with FDT2 / DTM software

Connection diagram

