

ACT20P-BRIDGE-P

Weidmüller Interface GmbH & Co. KG
 Klingenbergstraße 26
 D-32758 Detmold
 Germany

www.weidmueller.com

Product image, Similar to illustration



ACT20P: The flexible solution

- Precise and highly functional signal converters
- Release levers simplify handling

General ordering data

Version	Measuring bridge converter, Input : Resistance measuring bridge, Output : 0(4)-20 mA, 0-10 V
Order No.	2456820000
Type	ACT20P-BRIDGE-P
GTIN (EAN)	4050118471762
Qty.	1 Stück

Erstellungs-Datum May 25, 2023 2:30:23 PM CEST

Katalogstand 12.05.2023 / Technische Änderungen vorbehalten

ACT20P-BRIDGE-P

Weidmüller Interface GmbH & Co. KG
 Klingenbergstraße 26
 D-32758 Detmold
 Germany

www.weidmueller.com

Technische Daten

Dimensions and weights

Depth	113.6 mm	Depth (inches)	4.472 inch
Height	127.1 mm	Height (inches)	5.004 inch
Width	22.5 mm	Width (inches)	0.886 inch
Net weight	212 g		

Temperatures

Storage temperature	-40 °C...85 °C	Operating temperature	-40 °C...70 °C
Operating temperature, min.	-40 °C	Operating temperature, max.	70 °C
Humidity	10...90 %, no condensation		

Input

Bridge sensitivity	1.0 mV / V to 5.0 mV / V	Bridge supply voltage	5 V or 10 V
Number of inputs	1	Sensor	Strain gauge resistance, Resistance measurement, Total resistance of all parallel resistance measuring bridges: min. 87 Ω
Sensor supply	120 mA @ 10 V (= 4 x 350 Ω bridge resistors)		

Output

Load impedance current	≤ 600 Ω	Output current	0...22 mA (adjustable)
Output voltage, note	0...11 V (adjustable)	Type	active, connected control must be passive
load impedance voltage	600 Ω		

Output (analogue)

Output current	0...22 mA (adjustable)
----------------	------------------------

General data

Configuration	DIP switch and button	Linearity	Typically ± 0.05 % of signal range
Long-term drift	0.1 % / 10.000 h	Power consumption	3 W @ 24 V DC
Rail	TS 35	Repeat accuracy	± 0.05 % of final value
Step response time	< 400 ms (10...90 %)	Temperature coefficient	typ. 0.005 % / °C
Voltage supply	10...60 V DC		

Insulation coordination

EMC standards	EN 61326	Insulation voltage	5.7 kV (input / output, input / supply)
Pollution severity	2	Rated voltage	300 V _{eff}
Surge voltage category	III		

ACT20P-BRIDGE-P

Weidmüller Interface GmbH & Co. KG
 Klingenbergstraße 26
 D-32758 Detmold
 Germany

www.weidmueller.com

Technische Daten

Connection data

Type of connection	PUSH IN	Tightening torque, min.	0.4 Nm
Tightening torque, max.	0.6 Nm	Clamping range, rated connection	2.5 mm ²
Clamping range, min.	0.5 mm ²	Clamping range, max.	2.5 mm ²
Wire connection cross section AWG, min.	AWG 26	Wire connection cross section AWG, max.	AWG 14
Wire cross-section, solid, min.	0.2 mm ²	Wire cross-section, solid, max.	2.5 mm ²
Wire connection cross section, finely stranded, min.	0.2 mm ²	Wire connection cross section, finely stranded, max.	2.5 mm ²
Wire connection cross-section, finely stranded with wire-end ferrules DIN 46228/4, min.	0.2 mm ²	Wire connection cross-section, finely stranded with wire-end ferrules DIN 46228/4, max.	2.5 mm ²

Classifications

ETIM 6.0	EC002653	ETIM 7.0	EC002653
ETIM 8.0	EC002653	ECLASS 9.0	27-21-01-20
ECLASS 9.1	27-21-01-20	ECLASS 10.0	27-21-01-20
ECLASS 11.0	27-21-01-20	ECLASS 12.0	27-21-01-20

Environmental Product Compliance

REACH SVHC	Lead 7439-92-1
SCIP	2f6dd957-421a-46db-a0c2-cf1609156924

Important note

Product information	<p>The ACT20P-BRIDGE-P bridge measuring transducer converts measuring bridge voltages into standard signals. Buttons are used for adjustment to the measuring bridge connected. The bridge measuring transducer can supply up to 4 parallel-connected measuring bridges each with 350 Ω. The device supports simple compensation of the tare weight with a separate input for an external button or an external PLC signal. The power supply is galvanically isolated from input and output (3-way isolation).T</p> <p>Features</p> <ul style="list-style-type: none"> • 4-wire and 6-wire measurement • Supply of up to 4 parallel-connected measuring bridges each with 350 Ω • Input and output ranges can be adjusted via DIP switches • Tare compensation via external button or PLC signal • Front LED indicates operation status • 3-way galvanic isolation between input, output and power supply
---------------------	---

Approvals

Approvals



Approvals	CULUS;
ROHS	Conform

ACT20P-BRIDGE-P

Weidmüller Interface GmbH & Co. KG
Klingenbergstraße 26
D-32758 Detmold
Germany

www.weidmueller.com

Technische Daten

Downloads

Approval/Certificate/Document of Conformity	Declaration of Conformity
Engineering Data	CAD data – STEP
Engineering Data	EPLAN
Software	Runtime Software – DIP switch configuration tool
User Documentation	Quickstart guide german Instruction sheet Quickstart guide english
Catalogues	Catalogues in PDF-format

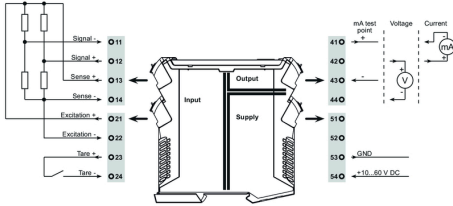
ACT20P-BRIDGE-P

Weidmüller Interface GmbH & Co. KG
 Klingenbergstraße 26
 D-32758 Detmold
 Germany

www.weidmueller.com

Zeichnungen

Electric symbol



DIP switch setting

Excitation	DIP switch							
	1	2	3	4	5	6	7	8
10 V	■							
5 V								

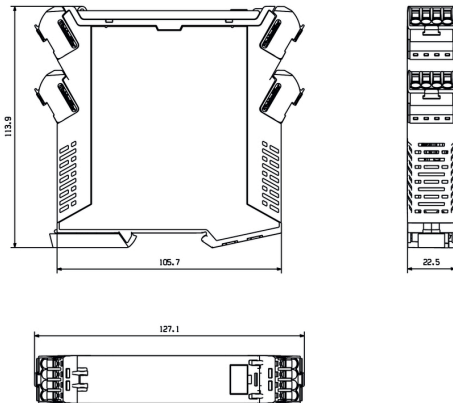
Output	DIP switch							
	1	2	3	4	5	6	7	8
mA	■							
V								

Input span	DIP switch							
	1	2	3	4	5	6	7	8
10 mV			■					
20 mV				■				
30 mV					■			
50 mV						■		

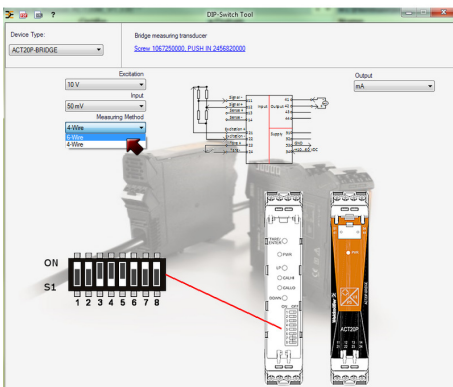
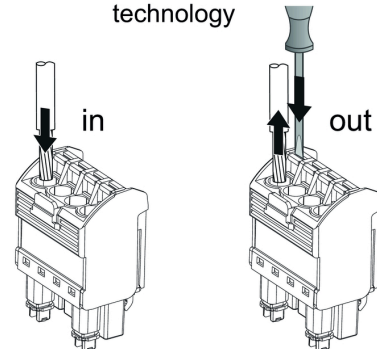
Measuring method	DIP switch							
	1	2	3	4	5	6	7	8
4-wire							■	■
6-wire								

■ = ON

Dimensioned drawing, Similar to illustration



PUSH IN technology



example for DIP switch setting (with ACT20 tool)