

IE-FCI-PWB-2USB-A-5V**Weidmüller Interfaces GmbH & Co. KG**

Postfach 3030

32760 Detmold

Tel. +49 5231 14-0

Fax. +49 5231 14-2083

info@weidmueller.com

www.weidmueller.com



FrontCom® Vario integrates multiple functions in only one single frame. The system is easy to install and you can select from a wide range of data, signal and power modules. In addition to being extremely compact, FrontCom® Vario offers a number of unique product features that will make your project planning and work activities secure, fast and future-proof. Furthermore, the FrontCom® Vario system has an attractive housing design that, by the way, offers highest impact-resistance and fully meets the requirements of IP 65 protection class.

General ordering data

Version	FrontCom, Insert Power large, USB charger
Order No.	2505070000
Type	IE-FCI-PWB-2USB-A-5V
GTIN (EAN)	4050118519167
Qty.	1 pc(s).

IE-FCI-PWB-2USB-A-5V

Weidmüller Interfaces GmbH & Co. KG

Postfach 3030

32760 Detmold

Tel. +49 5231 14-0

Fax. +49 5231 14-2083

info@weidmueller.com

www.weidmueller.com

Technical data

Dimensions and weights

Net weight 54 g

Temperatures

Operating temperature 0 °C...45 °C Operating temperature, min. 0 °C
 Operating temperature, max. 45 °C

General data

Insert type Insert Power large Protection degree IP40

USB charger

Charging sockets	2x USB A	Input current	≤ 300 mA
Input voltage	100...240 V AC	Input voltage, max.	240 V AC
Input voltage, min.	100 V	Output current	3 A
Output voltage	5 V	Output voltage	5 V DC
Output voltage type	DC	Frequency range	50...60 Hz
Degree of efficiency	80%	Power consumption in standby mode	max. 0.1 W
Protection class	II	Standards	EN 60950-1, EN 62684

Clampable conductors

Conductor connection cross-section, extremely flexible with wire end ferrule	1.5 ... 2.5 mm ²	
Conductor connection cross-section, extremely flexible with wire end ferrule	min.	1.5 mm ²
	max.	2.5 mm ²
Conductor connection cross-section, flexible with wire end ferrule	min.	1.5 mm ²
	max.	2.5 mm ²
Conductor connection cross-section, flexible with wire end ferrule	1.5 ... 2.5 mm ²	
Conductor connection cross-section, rigid	max.	2.5 mm ²
	min.	1.5 mm ²
Conductor connection cross-section, rigid	1.5 ... 2.5 mm ²	
Stripping length	6 mm	
Type of connection	Screw connection	

Electrical properties

Degree of efficiency 80%

Classifications

ETIM 6.0	EC001121	ETIM 7.0	EC001121
ETIM 8.0	EC001121	ECLASS 9.0	27-44-03-90
ECLASS 9.1	27-18-90-90	ECLASS 10.0	27-44-03-90
ECLASS 11.0	27-44-03-90	ECLASS 12.0	27-18-28-92

Environmental Product Compliance

REACH SVHC Lead 7439-92-1 Lead titanium zirconium oxide 12626-81-2 Diboron trioxide 1303-86-2

IE-FCI-PWB-2USB-A-5V**Weidmüller Interfaces GmbH & Co. KG**

Postfach 3030

32760 Detmold

Tel. +49 5231 14-0

Fax. +49 5231 14-2083

info@weidmueller.comwww.weidmueller.com**Technical data****Approvals**

ROHS

Conform

Downloads

Engineering Data

[CAD data – STEP](#)

User Documentation

[Designation key / Type key](#)

Catalogues

[Catalogues in PDF-format](#)

IE-FCI-PWB-2USB-A-5V

Weidmüller Interfaces GmbH & Co. KG

Postfach 3030

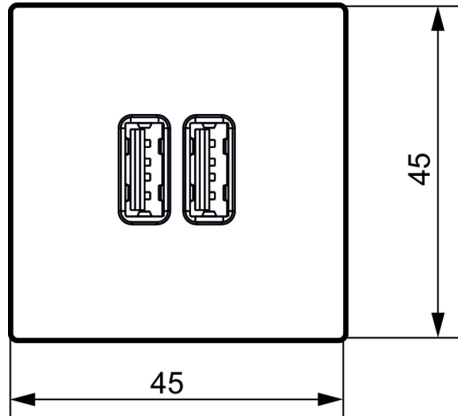
32760 Detmold

Tel. +49 5231 14-0

Fax. +49 5231 14-2083

Drawings

Dimensioned drawing



Dimensioned drawing info@weidmueller.com

