

SAI-04L-VP12-3A-M08L-AND**Weidmüller Interface GmbH & Co. KG**

Klingenbergstraße 26

D-32758 Detmold

Germany

www.weidmueller.com



SAI – logic module These devices allow the combination of signals by means of an AND or an OR gate. This function leads to a reduction in the amount of wiring. The required inputs to the PLC can be reduced by up to 6 inputs. This process therefore saves the amount of wiring and material in the field.

General ordering data

Version	Sensor-actuator passive distributor, M8, with M12 outlet, Yes
Order No.	2512800000
Type	SAI-04L-VP12-3A-M08L-AND
GTIN (EAN)	4050118527698
Qty.	1 pc(s).

Creation date March 17, 2023 8:52:35 AM CET

Catalogue status 03.03.2023 / We reserve the right to make technical changes.

SAI-04L-VP12-3A-M08L-AND

Weidmüller Interface GmbH & Co. KG

Klingenbergstraße 26

D-32758 Detmold

Germany

www.weidmueller.com

Technical data

Dimensions and weights

Net weight	66 g
------------	------

Temperatures

Operating temperature	-20 - 90°C	Operating temperature, min.	-20 °C
Operating temperature, max.	90 °C		

Connection data

Distributor outlet	with M12 outlet	Tightening torque	M8: 0.5 - 0.6 Nm, M12: 0.8 - 1.2 Nm
--------------------	-----------------	-------------------	--

Electrical data

Rated voltage, min.	15 V	Rated voltage, max.	30 V
Rated voltage	24	Rated current	500 mA
Total current	2 A		

General technical data

Logic function	and	Protection degree	IP67
Number of poles	3	Number of contact sockets	4
Connection thread	M8	Pollution severity	3
Fire behaviour	V-0	LED	Yes
LED initiator	Yes	LED colour for indicating operation	green
LED colour for I/O function	yellow, green		

Material data

Housing main material	PBT	Housing colour	black (similar to RAL 9005)
Screw socket	Nickel-plated CuZn	Contact material	Nickel-plated CuZn
Contact surface	Gold-plated	Contact carrier material	PBT (UL 94 V0)

Technical data cable

Number of poles	3	Suitable for cable carriers	No
-----------------	---	-----------------------------	----

Classifications

ETIM 6.0	EC002585	ETIM 7.0	EC003558
ETIM 8.0	EC003558	ECLASS 9.0	27-44-01-08
ECLASS 9.1	27-44-01-08	ECLASS 10.0	27-44-01-11
ECLASS 11.0	27-44-01-11	ECLASS 12.0	27-44-01-11

Environmental Product Compliance

REACH SVHC	Lead 7439-92-1
SCIP	22cbd99b-5f46-4c36-9938-bd61e241a9ab

Approvals

ROHS	Conform
------	---------

SAI-04L-VP12-3A-M08L-AND

Weidmüller Interface GmbH & Co. KG
Klingenbergstraße 26
D-32758 Detmold
Germany

www.weidmueller.com

Technical data**Downloads**

Product Change Notification	20211208 Technical change to SAI M8 Line Distribution Boxes 20211208 Technische Änderung zu SAI M8 Line Verteiler
Catalogues	Catalogues in PDF-format

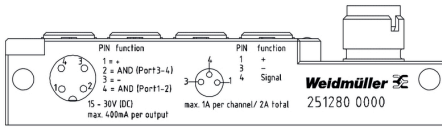
SAI-04L-VP12-3A-M08L-AND

Weidmüller Interface GmbH & Co. KG
 Klingenbergstraße 26
 D-32758 Detmold
 Germany

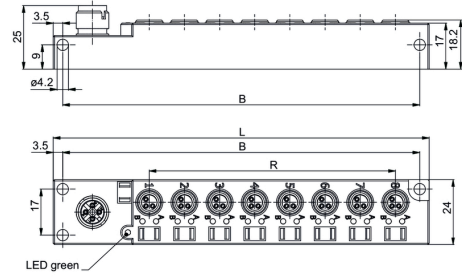
www.weidmueller.com

Drawings

Detailed drawing

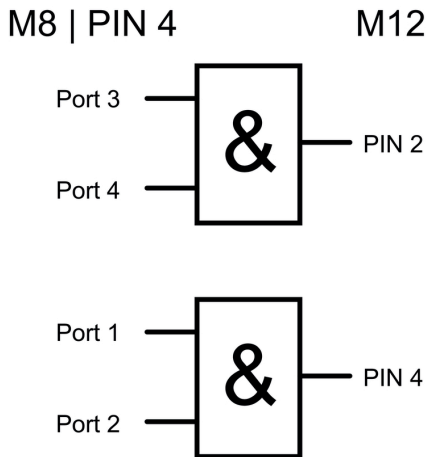


Dimensioned drawing



Connection	Dimension L	Dimension R	B±0,1
8 times	139	7x13=91	132
4 times	87	3x13=39	80

Wiring diagram



Pole scheme

