

## IE-FCI-PWB-ISR

**Weidmüller Interface GmbH & Co. KG**

Klingenbergstraße 26

D-32758 Detmold

Germany

[www.weidmueller.com](http://www.weidmueller.com)



FrontCom® Vario integrates multiple functions in only one single frame. The system is easy to install and you can select from a wide range of data, signal and power modules. In addition to being extremely compact, FrontCom® Vario offers a number of unique product features that will make your project planning and work activities secure, fast and future-proof. Furthermore, the FrontCom® Vario system has an attractive housing design that, by the way, offers highest impact-resistance and fully meets the requirements of IP 65 protection class.

### General ordering data

Version	FrontCom, Insert Power large, Type H, Socket connector, ISR
Order No.	<a href="#">2531060000</a>
Type	IE-FCI-PWB-ISR
GTIN (EAN)	4050118541175
Qty.	1 Stück

Erstellungs-Datum June 2, 2023 10:48:07 AM CEST

Katalogstand 26.05.2023 / Technische Änderungen vorbehalten

## IE-FCI-PWB-ISR

**Weidmüller Interface GmbH & Co. KG**  
 Klingenbergstraße 26  
 D-32758 Detmold  
 Germany

www.weidmueller.com

## Technische Daten

### Dimensions and weights

Net weight 36 g

### Temperatures

Operating temperature -5 °C...40 °C      Operating temperature, min. -5 °C  
 Operating temperature, max. 40 °C

### General data

Connector face Type H      Insert type Insert Power large  
 Protection degree IP20

### Clampable conductors

Conductor connection cross-section, extremely flexible with wire end ferrule	max.	1.5 mm <sup>2</sup>
	min.	1.5 mm <sup>2</sup>
Conductor connection cross-section, extremely flexible with wire end ferrule	1.5 ... 1.5 mm <sup>2</sup>	
Conductor connection cross-section, extremely flexible without wire end ferrule	...	
Conductor connection cross-section, flexible with wire end ferrule	1.5 ... 1.5 mm <sup>2</sup>	
Conductor connection cross-section, flexible with wire end ferrule	min.	1.5 mm <sup>2</sup>
	max.	1.5 mm <sup>2</sup>
Conductor connection cross-section, flexible without wire end ferrule	...	
Conductor connection cross-section, rigid	1.5 ... 2.5 mm <sup>2</sup>	
Conductor connection cross-section, rigid	max.	2.5 mm <sup>2</sup>
	min.	1.5 mm <sup>2</sup>
Stripping length	11 mm	
Type of connection	Screw connection	

### Technical data

Housing main material PP      Rated current 16 A  
 Rated voltage (AC) 250 V

### Classifications

ETIM 6.0	EC001121	ETIM 7.0	EC001121
ETIM 8.0	EC001121	ECLASS 9.0	27-44-03-90
ECLASS 9.1	27-18-90-90	ECLASS 10.0	27-44-03-90
ECLASS 11.0	27-44-03-90	ECLASS 12.0	27-18-28-92

### Approvals

ROHS Conform

## IE-FCI-PWB-ISR

**Weidmüller Interface GmbH & Co. KG**  
Klingenbergstraße 26  
D-32758 Detmold  
Germany

[www.weidmueller.com](http://www.weidmueller.com)

## Technische Daten

### Downloads

Engineering Data	<a href="#">CAD data – STEP</a>
User Documentation	<a href="#">Socket Insert Overview EN</a> <a href="#">Socket Insert Overview DE</a> <a href="#">Designation key / Type key</a>
Catalogues	<a href="#">Catalogues in PDF-format</a>

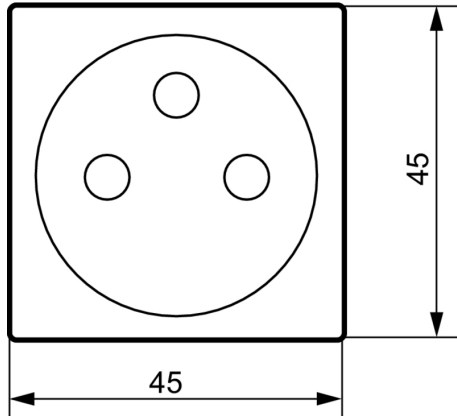
**IE-FCI-PWB-ISR**

**Weidmüller Interface GmbH & Co. KG**  
Klingenbergstraße 26  
D-32758 Detmold  
Germany

[www.weidmueller.com](http://www.weidmueller.com)

**Zeichnungen**

**Dimensioned drawing**



**Dimensioned drawing**

