

DRIKITP 24VAC 2CO LD

Weidmüller Interface GmbH & Co. KG
 Klingenbergstraße 26
 D-32758 Detmold
 Germany

www.weidmueller.com

Product image



Similar to illustration

- Mounted kit consisting relay, socket and retaining clip
- 100 % function tested
- 100 % check of the dielectric strenght between input - output
- 2 CO contacts
- Optional with mechanical status indicator
- Optional Test button with coloured identification of coils (AC red / DC blue)
- Bright status LED (AC coil: red / DC coil: green)

General ordering data

| | |
|----------------|--|
| Version | D-SERIES DRI, Relay module, Number of contacts: 2, CO contact AgSnO, Rated control voltage: 24 V AC, Continuous current: 5 A, PUSH IN, Test button available: No |
| Order No. | 2576240000 |
| Type | DRIKITP 24VAC 2CO LD |
| GTIN (EAN) | 4050118586008 |
| Qty. | 10 Stück |
| Relevant relay | 7760056332 |
| Relevant base | 7760056365 |

Erstellungs-Datum May 25, 2023 11:59:28 AM CEST

DRIKITP 24VAC 2CO LD

Weidmüller Interface GmbH & Co. KG
 Klingenbergstraße 26
 D-32758 Detmold
 Germany

www.weidmueller.com

Technische Daten

Dimensions and weights

| | | | |
|------------|----------|-----------------|------------|
| Depth | 63 mm | Depth (inches) | 2.48 inch |
| Height | 102.1 mm | Height (inches) | 4.02 inch |
| Width | 15.9 mm | Width (inches) | 0.626 inch |
| Net weight | 59.448 g | | |

Temperatures

| | | | |
|-----------------------------|--|-----------------------------|----------------|
| Storage temperature | -40 °C...85 °C | Operating temperature | -40 °C...55 °C |
| Operating temperature, min. | -40 °C | Operating temperature, max. | 55 °C |
| Humidity | 35...85 % rel. humidity, no condensation | | |

Control side

| | | | |
|-----------------------|--------------|--------------------------------|-------------------|
| Rated control voltage | 24 V AC | Rated current AC | 50 mA |
| Power rating | 1.2 VA | Pull-in/drop-out voltage, typ. | 19.2 V / 7.2 V AC |
| Coil resistance | 240 Ω ± 10 % | Coil tolerance | 10 % |
| Status indicator | red LED | | |

Load side

| | | | |
|---|--|---|---------------------------------------|
| Rated switching voltage | 250 V AC | Continuous current | 5 A |
| Max. switching frequency at rated load | 0.1 Hz | Max. switching voltage, DC | 250 V |
| AC switching capacity (resistive), max. | 1250 VA | DC switching capacity (resistive), max. | 150 W @ 24 V |
| Switch-on delay | ≤ 15 ms | Switch-off delay | ≤ 10 ms |
| Contact type | 2 CO contact (AgSnO) | Mechanical service life | 10 x 10 ⁶ switching cycles |
| Min. switching power | 10 mA @ 24 V, 10 mA @ 12 V, 100 mA @ 5 V | | |

General data

| | | | |
|--------------------------------------|--------------------------|-----------------|--|
| Rail | TS 35 | | |
| Test button available | No | | |
| Mechanical switch position indicator | No | | |
| Colour | black | | |
| UL94 flammability rating component | Component | Housing | |
| | UL94 flammability rating | V-2 | |
| | Component | Pusher | |
| | UL94 flammability rating | HB | |
| | Component | Mounting foot | |
| | UL94 flammability rating | HB | |
| | Component | Retaining clip | |
| | UL94 flammability rating | HB | |
| | Component | Relay cover | |
| | UL94 flammability rating | V-2 | |
| | Component | Relay baseplate | |
| | UL94 flammability rating | V-0 | |

DRIKITP 24VAC 2CO LD

Weidmüller Interface GmbH & Co. KG
 Klingenbergstraße 26
 D-32758 Detmold
 Germany

www.weidmueller.com

Technische Daten

Insulation coordination

| | | | |
|---|--------------------------------|--|-----------------------------|
| Rated voltage | 250 V | Pollution severity | 2 |
| Surge voltage category | III | Insulating material group | IIIb |
| Clearance and creepage distances for control side - load side | ≥ 3 mm | Dielectric strength for control side - load side | 5 kV _{eff} / 1 min |
| Dielectric strength of neighbouring contacts | 1.5 kV _{eff} / 1 min. | Dielectric strength of open contact | 1 kV _{eff} / 1 min |
| Impulse withstand voltage | 5 kV (1.2/50 µs) | Impulse withstand voltage at neighbouring contacts | 4.8 kV (1.2/50 µs) |
| Protection degree | IP20 | | |

Further details of approvals / standards

| | | | |
|-------------------------------|---------|------------------------------|---------|
| Certificate no. (cURus) relay | E312083 | Certificate no. (cURus) base | E312083 |
|-------------------------------|---------|------------------------------|---------|

Connection data

| | | | |
|---|---------------------|---|----------------------|
| Wire connection method | PUSH IN | Stripping length, rated connection | 10 mm |
| Clamping range, rated connection | 1.5 mm ² | Clamping range, min. | 0.14 mm ² |
| Clamping range, max. | 1.5 mm ² | Wire connection cross section AWG, min. | AWG 26 |
| Wire connection cross section AWG, max. | AWG 16 | Wire cross-section, solid, min. | 0.14 mm ² |
| Wire cross-section, solid, max. | 1.5 mm ² | Wire connection cross section, finely stranded, min. | 0.14 mm ² |
| Wire connection cross section, finely stranded, max. | 1.5 mm ² | Wire connection cross-section, finely stranded with wire-end ferrules DIN 46228/4, min. | 0.14 mm ² |
| Wire connection cross-section, finely stranded with wire-end ferrules DIN 46228/4, max. | 1 mm ² | Conductor cross-section, flexible, AEH (DIN 46228-1), min. | 0.14 mm ² |
| Conductor cross-section, flexible, AEH (DIN 46228-1), max. | 1.5 mm ² | Blade size | 0.4 x 2.5 mm |

Classifications

| | | | |
|-------------|-------------|-------------|-------------|
| ETIM 6.0 | EC001437 | ETIM 7.0 | EC001437 |
| ETIM 8.0 | EC001437 | ECLASS 9.0 | 27-37-16-01 |
| ECLASS 9.1 | 27-37-16-01 | ECLASS 10.0 | 27-37-16-01 |
| ECLASS 11.0 | 27-37-16-01 | ECLASS 12.0 | 27-37-16-01 |

Environmental Product Compliance

| | |
|------------|--------------------------------------|
| REACH SVHC | Lead 7439-92-1 |
| SCIP | 611f3393-31e7-4ef5-8360-95619a629f27 |

Approvals

Approvals



ROHS Conform

DRIKITP 24VAC 2CO LD

Weidmüller Interface GmbH & Co. KG
Klingenbergstraße 26
D-32758 Detmold
Germany

www.weidmueller.com

Technische Daten

Downloads

| | |
|---|---|
| Approval/Certificate/Document of Conformity | EU Konformitätserklärung / EU Declaration of Conformity |
| Engineering Data | CAD data – STEP |
| Engineering Data | EPLAN |
| Catalogues | Catalogues in PDF-format |

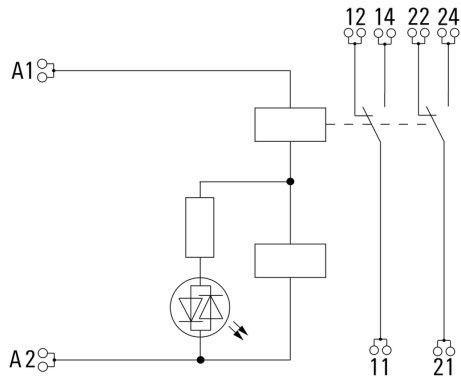
DRIKITP 24VAC 2CO LD

Weidmüller Interface GmbH & Co. KG
 Klingenbergstraße 26
 D-32758 Detmold
 Germany

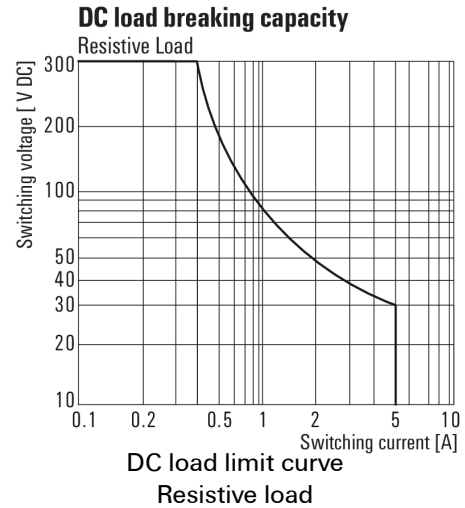
www.weidmueller.com

Zeichnungen

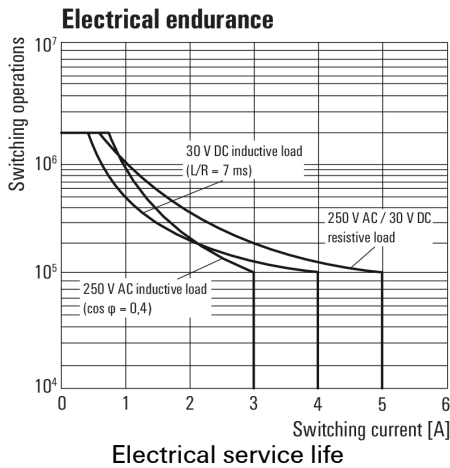
Wiring diagram



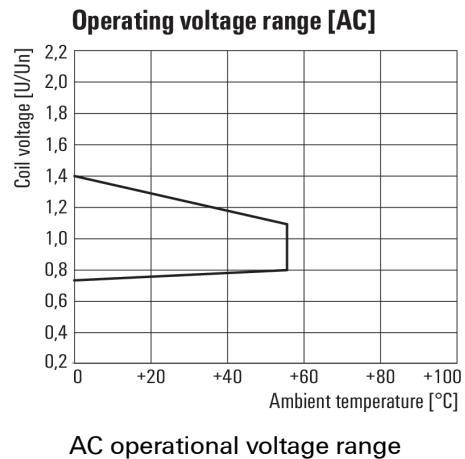
Graph



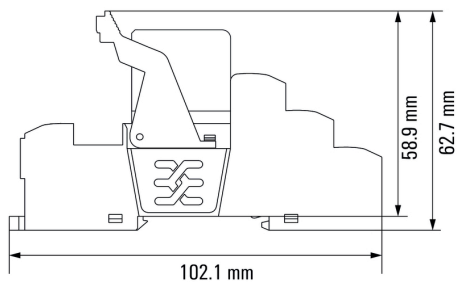
Graph



Graph



Dimensional drawing



DRIKITP 24VAC 2CO LD

Weidmüller Interface GmbH & Co. KG
 Klingenbergstraße 26
 D-32758 Detmold
 Germany

www.weidmueller.com

Zeichnungen

Miscellaneous



Type codes