

SAIE-7/8S-4-0.4U-H**Weidmüller Interface GmbH & Co. KG**

Klingenbergstraße 26

D-32758 Detmold

Germany

www.weidmueller.com



Various build-in connectors are required for the connections on the device side of the sensor/actuator cabling. These are available in the versions M12, M8 and M5.

General ordering data

Version	Built-in plugs, 7/8", Mounting thread: M26 x 1.5, Number of poles: 4, Strand / cable length: 0.4 m
Order No.	2577160000
Type	SAIE-7/8S-4-0.4U-H
GTIN (EAN)	4050118586817
Qty.	1 Stück

Erstellungs-Datum June 1, 2023 9:41:47 AM CEST

Katalogstand 26.05.2023 / Technische Änderungen vorbehalten

SAIE-7/8S-4-0.4U-H

Weidmüller Interface GmbH & Co. KG
 Klingenbergstraße 26
 D-32758 Detmold
 Germany

www.weidmueller.com

Technische Daten

Dimensions and weights

Net weight 66 g

Technical data customisable plug-in connectors

Cable glands	7/8"	Coding	none
Contact surface	Gold-plated	Housing main material	Zinc diecast, nickel-plated
Number of poles	4	Plugging cycles	≥ 100
Protection degree	IP67, when screwed in	Rated current	8 A
Rated voltage	300 V	Temperature range of housing	-25...+85 °C
Type of connection	Pin		

General data

Cable glands	7/8"
Cable length	0.4 m
Coding	none
Conductor O.D.	-
Connection thread	7/8"
Contact material	CuZn
Contact surface	Gold-plated
Core cross-section	0.75 mm ²
Housing main material	Zinc diecast, nickel-plated
Mounting thread	M26 x 1.5
Mounting torque	min. 11.8 Nm
	max. 12 Nm
Mounting torque range	11.8 ... 12 Nm
Number of poles	4
Plugging cycles	≥ 100
Protection degree	IP67, when screwed in
Rated current	8 A
Rated voltage	300 V
Strand / cable length	0.4 m
Temperature range of housing	-25...+85 °C
Tightening torque	1.5 Nm
Type of connection	Pin

Classifications

ETIM 6.0	EC002635	ETIM 7.0	EC003570
ETIM 8.0	EC003570	ECLASS 9.0	27-44-01-03
ECLASS 9.1	27-44-01-03	ECLASS 10.0	27-44-01-03
ECLASS 11.0	27-44-01-03	ECLASS 12.0	27-44-01-03

Environmental Product Compliance

REACH SVHC	Lead 7439-92-1
SCIP	7baf363e-d867-435e-844e-c01f32ebf146

SAIE-7/8S-4-0.4U-H

Weidmüller Interface GmbH & Co. KG
Klingenbergstraße 26
D-32758 Detmold
Germany

www.weidmueller.com

Technische Daten

Approvals

Approvals



ROHS	Conform
UL File Number Search	UL Website
Certificate No. (cURus)	E307231

Downloads

Engineering Data	CAD data – STEP
Catalogues	Catalogues in PDF-format

Datenblatt

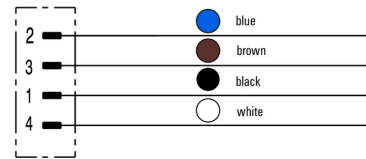
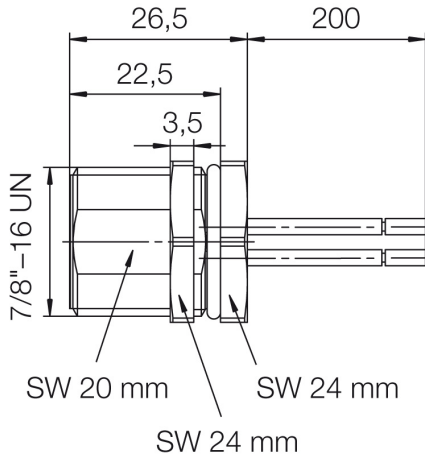
SAIE-7/8S-4-0.4U-H

Weidmüller Interface GmbH & Co. KG
 Klingenbergstraße 26
 D-32758 Detmold
 Germany

www.weidmueller.com

Zeichnungen

Wiring diagram



Pole scheme

