

**IE-CDM-V14MRJSCP/VAPM-C II****Weidmüller Interfaces GmbH & Co. KG**

Postfach 3030

32760 Detmold

Tel. +49 5231 14-0

Fax. +49 5231 14-2083

info@weidmueller.com

www.weidmueller.com



FreeCon Active PROFINET media converter with diagnostic functionality, for PushPull Var. 14 plug-in connector acc. to IEC 61076-3-117 with RJ45 and SC-RJ POF acc. to IEC 61754-24 and PushPull Power acc. to PROFINET specification.

**General ordering data**

Version	POF media converter, FreeCon, IP65
Order No.	<a href="#">2588270000</a>
Type	IE-CDM-V14MRJSCP/VAPM-C II
GTIN (EAN)	4050118598322
Qty.	1 Stück

**IE-CDM-V14MRJSCP/VAPM-C II**

**Weidmüller Interfaces GmbH & Co. KG**

Postfach 3030

32760 Detmold

Tel. +49 5231 14-0

Fax. +49 5231 14-2083

info@weidmueller.com

www.weidmueller.com

**Technische Daten**

**Dimensions and weights**

Depth	130.4 mm	Depth (inches)	5.134 inch
Height	53 mm	Height (inches)	2.087 inch
Width	100 mm	Width (inches)	3.937 inch
Net weight	557.7 g		

**Temperatures**

Operating temperature	-20 °C...55 °C	Operating temperature, min.	-20 °C
Operating temperature, max.	55 °C		

**General data**

Data interface	PROFINET PushPull SCRJ POF (V14), PROFINET PushPull RJ45 (V14)	Housing main material	Aluminium profile, Zinc die cast, electroplated lid
Plugging cycles	≥ 100	Power interface	PROFINET PushPull Power
Protection degree	IP65	UL 94 flammability rating	V-0
Wiring	PROFINET		

**Electrical properties**

Baud rate	100 MB	Current consumption	200 mA typical
LED indicator	P1: port active, P2: port active, SF: general error, BF: bus error, US1: voltage 1 (electronics), US2: voltage 2, ACT1: activity Port1, ACT2: activity Port2	Operating voltage	24 V DC
Operational voltage range	18...30 V DC	Protocol	PROFINET IRT

**General standards**

Certificate no. (cULus)	E141197	Connector standard	IEC 61076-3-117 Var. 14, IEC 61754-24, IEC 60603-7-51
Network standard	IEC 61158, IEC 61784	PROFINET specification	Conformance Class C acc. V2.3

**Classifications**

ETIM 6.0	EC001467	ETIM 7.0	EC001467
ETIM 8.0	EC001467	ECLASS 9.0	19-17-01-14
ECLASS 9.1	19-17-01-14	ECLASS 10.0	19-17-01-32
ECLASS 11.0	19-17-01-32	ECLASS 12.0	19-17-01-32

**Environmental Product Compliance**

REACH SVHC	Lead 7439-92-1
SCIP	b14ea46f-06a9-4191-9f88-14cc6c04a8a8

**Important note**

Product information Further development of 1324440000, IE-CDM-V14MRJSCP/VAPM-C. For commissioning, the new GSDML file (see Downloads) must be installed.

## IE-CDM-V14MRJSCP/VAPM-C II

Weidmüller Interfaces GmbH & Co. KG

Postfach 3030

32760 Detmold

Tel. +49 5231 14-0

Fax. +49 5231 14-2083

[info@weidmueller.com](mailto:info@weidmueller.com)

[www.weidmueller.com](http://www.weidmueller.com)

## Technische Daten

### Approvals

Approvals



UL File Number Search

UL Website

Certificate no. (cULus)

E141197

### Downloads

Approval/Certificate/Document of Conformity

[Profinet Certification](#)  
[EU declaration of conformity](#)

Engineering Data

[CAD data – STEP](#)

Software

[Runtime Software – CFG configurator - Weidmueller\\_FreeCon](#)  
[Firmware – Firmware 1\\_02\\_01 / GSD - V2.34](#)

User Documentation

[Manual DE](#)  
[Hardware Installation Guide](#)

Catalogues

[Catalogues in PDF-format](#)

IE-CDM-V14MRJSCP/VAPM-C II

Weidmüller Interfaces GmbH & Co. KG

Postfach 3030

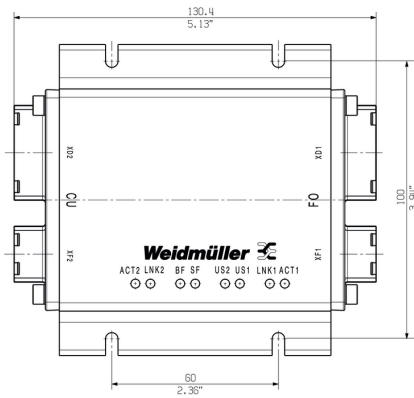
32760 Detmold

Tel. +49 5231 14-0

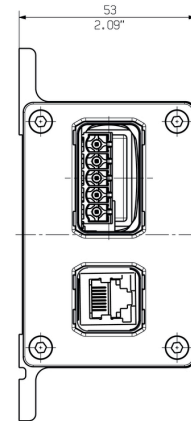
Fax. +49 5231 14-2083

Zeichnungen

Dimensioned drawing



Dimensioned drawing [info@weidmueller.com](mailto:info@weidmueller.com)



Wiring diagram

