

VCG 24V EX 4 NPT1/2**Weidmüller Interface GmbH & Co. KG**

Klingenbergstraße 26

D-32758 Detmold

Germany

www.weidmueller.com



Similar to illustration

VARITECTOR Cable Gland (VCG) protects intrinsically safe circuits in IP67 applications

- Tested in accordance with IEC/EN 61643-21
- Suitable for use in EX areas
- High protection class with IP67
- Screw-in housing with different threads
- HART-compatible

General ordering data

Order No.	2593130000
Type	VCG 24V EX 4 NPT1/2
GTIN (EAN)	4050118605112
Qty.	1 Stück

VCG 24V EX 4 NPT1/2

Weidmüller Interface GmbH & Co. KG

Klingenbergstraße 26

D-32758 Detmold

Germany

www.weidmueller.com

Technische Daten

Dimensions and weights

Height of lowest version	96 mm	Width	24 mm
Width (inches)	0.945 inch	Length	120 mm
Length (inches)	4.724 inch	Diameter	28 mm
Net weight	300 g		

Temperatures

Storage temperature	-30 °C...60 °C	Operating temperature	-30 °C...60 °C
Operating temperature, min.	-30 °C	Operating temperature, max.	60 °C

Protection Ex - Data

ATEX - dust labelling	IEC Ex BAS 18.0085X, Ex ia IIIC T85 °C Da, (-30 °C≤Ta≤50 °C)	ATEX - gas labelling	18ATEX0141X, II 1GD, Ex ia II T6 Ga, (-30 °C≤Ta≤50 °C)
Input power, max. P _I	2 W	Input voltage, max. U _i	50 V
Input current, max. I _i	0.8 A	Internal capacity, max. C _I	0 nF
Internal inductance, max. L _I	60 µH		

General data

Colour	silver	Design	straight, 1/2" NPT
FIELD BUS FOUNDATION BUS H1 compatible	According to IEC 61158-2	Protection degree	IP67
Segment	Measurement - Monitoring - Setting	Version	Stainless steel screw mounting housing

Rated data IEC / EN

Dielectric strength at FG against PE	≥ 500 V	Discharge current I _{max} (8/20µs) wire-PE	20 kA
Discharge current I _{max} (8/20µs) wire-wire	20 kA	Discharge current I _n (8/20µs) wire-PE	10 kA
Discharge current I _n (8/20µs) wire-wire	10 kA	Frequency range, max.	30 MHz
Frequency range, min.	0 Hz	Input voltage, max. U _i	50 V
Insertion loss	30 MHz	Lightning test current, I _{imp} (10/350 µs) Wire-PE	2 kA
Lightning test current, I _{imp} (10/350 µs) wire-wire	2 kA	Protection level U _p (typ.)	< 1300 V
Protection level, U _p wire - PE	864 V	Protection level, U _p wire - wire	44 V
Rated voltage (DC)	24 V	Rated voltage (DC), max.	33 V
Requirements category acc. to IEC 61643-21	D1, C1, C2, C3	Response time	< 1 ns
Standards	IEC 61643-21, IEC 60079-0, IEC 60079-11		

Connection data

Cross-section	1 mm ²	Wire connection method	Cable length: 250 mm (min.)
---------------	-------------------	------------------------	-----------------------------

Ratings IECEx/ATEX/cUL

ATEX - dust labelling	IEC Ex BAS 18.0085X, Ex ia IIIC T85 °C Da, (-30 °C≤Ta≤50 °C)	ATEX - gas labelling	18ATEX0141X, II 1GD, Ex ia II T6 Ga, (-30 °C≤Ta≤50 °C)
-----------------------	--	----------------------	--

Erstellungs-Datum June 2, 2023 11:37:34 AM CEST

Katalogstand 26.05.2023 / Technische Änderungen vorbehalten

VCG 24V EX 4 NPT1/2

Weidmüller Interface GmbH & Co. KG
 Klingenbergstraße 26
 D-32758 Detmold
 Germany

www.weidmueller.com

Technische Daten

Garantie

Time interval 5 years

Classifications

ETIM 6.0	EC000943	ETIM 7.0	EC000943
ETIM 8.0	EC000943	ECLASS 9.0	27-13-08-07
ECLASS 9.1	27-13-08-07	ECLASS 10.0	27-13-08-07
ECLASS 11.0	27-13-08-07	ECLASS 12.0	27-17-90-90

Approvals

Approvals



ROHS Conform

Downloads

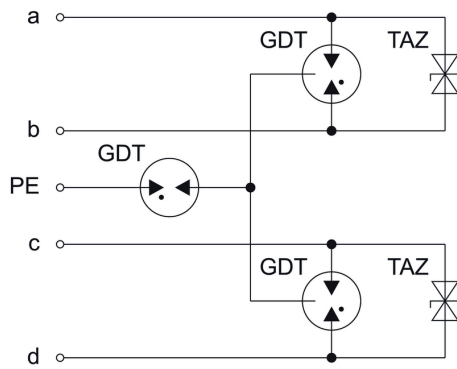
Approval/Certificate/Document of Conformity	IECEX ATEX EU Konformitätserklärung / EU Declaration of Conformity
User Documentation	Manual
Catalogues	Catalogues in PDF-format

VCG 24V EX 4 NPT1/2

Weidmüller Interface GmbH & Co. KG
Klingenbergstraße 26
D-32758 Detmold
Germany

www.weidmueller.com

Zeichnungen



Similar to illustration

