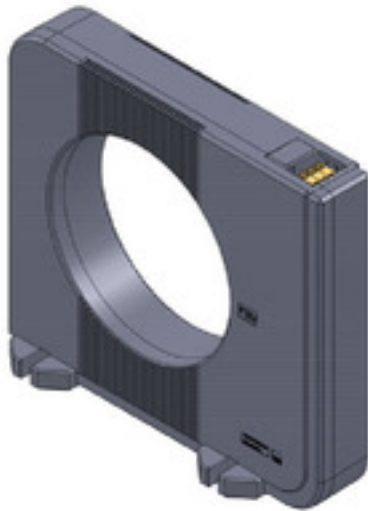


CMA-RCM-DACT-120

Weidmüller Interface GmbH & Co. KG
 Klingenbergstraße 26
 D-32758 Detmold
 Germany

www.weidmueller.com

Similar to illustration



Difference current transformer (Residual current monitoring, RCM)

This type is specialised in the detection of residual currents in 3 / 4-wire AC networks.

Its special features are:

Highly sensitive current sensor for the detection of even the smallest residual currents, fixed switching hysteresis of 5%, high safety thanks to integrated overvoltage protection and coverage of a wide frequency range.

General ordering data

Version	Residual current transformer, Primary current: 25 A, Round conductor: 120.00 mm, closed current transformer
Order No.	2603450000
Type	CMA-RCM-DACT-120
GTIN (EAN)	4050118665406
Qty.	1 Stück
Local product	Only available in certain countries

Erstellungs-Datum June 2, 2023 12:18:04 PM CEST

CMA-RCM-DACT-120

Weidmüller Interface GmbH & Co. KG

Klingenbergstraße 26

D-32758 Detmold

Germany

www.weidmueller.com

Technische Daten

General ordering data

Local product Only available in certain countries

Dimensions and weights

Depth	37 mm	Depth (inches)	1.457 inch
Height	191.5 mm	Height (inches)	7.539 inch
Width	210 mm	Width (inches)	8.268 inch
Net weight	240 g		

Temperatures

Storage temperature	-25 °C...70 °C	Operating temperature	-10 °C...70 °C
Operating temperature, min.	-10 °C	Operating temperature, max.	70 °C

Measuring current input

Residual current measuring Yes

Dimensions of live conductors

Type of conductor	Insulated conductor only	Round conductor	120 mm
Installation location	Indoor use		

Electrical attributes

Frequency band	30 Hz...3 kHz	Load	0 VA
Primary current	25 A	Secondary current	0...41.7 mA
Secondary current max.	0.04 A	Secondary current, min.	0.042 A
Tolerance class	1	Transmission ratio	1:600

Input

Input measurement range 0.02...2 A / 0.25...25 A depending on terminal assignment

Insulation coordination

Galvanic isolation	yes	Impulse withstand voltage	8 kV
Pollution severity	3	Rated voltage	800 V
Standard	EN 60044/1	Tolerance class	1

Classifications

ETIM 6.0	EC002048	ETIM 7.0	EC002048
ETIM 8.0	EC002048	ECLASS 9.0	27-21-09-02
ECLASS 9.1	27-21-09-02	ECLASS 10.0	27-21-09-02
ECLASS 11.0	27-21-09-02	ECLASS 12.0	27-21-09-02

Approvals

ROHS Conform

CMA-RCM-DACT-120

Weidmüller Interface GmbH & Co. KG
Klingenbergstraße 26
D-32758 Detmold
Germany

www.weidmueller.com

Technische Daten

Downloads

User Documentation	Instruction sheet
Catalogues	Catalogues in PDF-format

CMA-RCM-DACT-120

Weidmüller Interface GmbH & Co. KG
Klingenbergstraße 26
D-32758 Detmold
Germany

www.weidmueller.com

Zeichnungen

Dimensional drawing

