

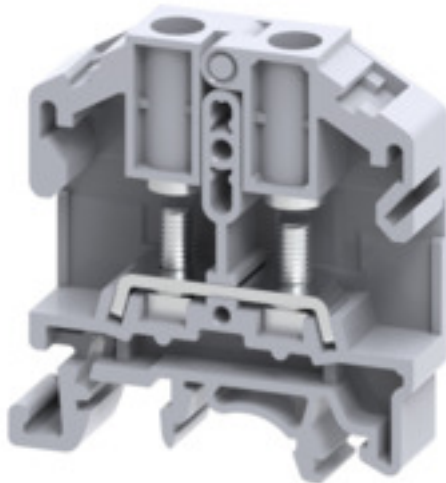
SRL 4 STB**Weidmüller Interface GmbH & Co. KG**

Klingenbergstraße 26

D-32758 Detmold

Germany

www.weidmueller.com

Product image

Our SRL terminals are best suited for applications where connections are subjected to strong vibrations. The wire to be connected is first crimped onto a ring or fork eyelet and then attached to the busbar of the terminal block. The fixing nuts remain captive in the hinged plastic carrier. For connection, the plastic carrier is lifted, the conductor is inserted with the eyelet, and the plastic carrier returned to its initial position. The fixing nut is tightened with a simple screwdriver to create a secure connection between terminal block and eyelet.

General ordering data

Order No.	2614950000
Type	SRL 4 STB
GTIN (EAN)	4050118654028
Qty.	50 Stück

SRL 4 STB

Weidmüller Interface GmbH & Co. KG
 Klingenbergstraße 26
 D-32758 Detmold
 Germany

www.weidmueller.com

Technische Daten

Dimensions and weights

Depth	51.5 mm	Depth (inches)	2.028 inch
Depth including DIN rail	52.2 mm	Height	48.5 mm
Height (inches)	1.909 inch	Width	11 mm
Width (inches)	0.433 inch	Net weight	11 g

Temperatures

Storage temperature	-25 °C...55 °C	Continuous operating temp., min.	-50 °C
Continuous operating temp., max.	120 °C		

Material data

Material	Polyamide	Colour	grey
----------	-----------	--------	------

System specifications

End cover plate required	Yes	Number of potentials	1
Number of levels	1	Number of clamping points per level	2
Number of potentials per tier	1	PE connection	No
Rail	TS 35, TS 32	N-function	No
PE function	No	PEN function	No

Additional technical data

Open sides	right	Snap-on	Yes
Type of fixing	Snap-on	Type of mounting	Snap-on

Conductors for clamping (rated connection)

2 x cable lugs DIN 46 234	1.5...6 mm ²	2 x cable lugs DIN 46 235	1.5...6 mm ²
Cable lug to DIN 46234	1.5...6 mm ²	Cable lug to DIN 46235	1.5...6 mm ²
Clamping range, bolted connection , max.	6 mm ²	Clamping range, bolted connection , min.	1.5 mm ²
Connection cross-section, stranded, max.	6 mm ²	Connection cross-section, stranded, min.	1.5 mm ²
Connection direction	on side	Number of connections	2
Stud size for spade connection	M 4	Tightening torque, max.	0.5 Nm
Tightening torque, min.	0.5 Nm	Type of connection	Threaded stud connection
Wire connection cross section AWG, max.	AWG 8	Wire connection cross section AWG, min.	AWG 22
Wire connection cross-section, solid core, max.	6 mm ²	Wire connection cross-section, solid core, min.	1.5 mm ²

General

Rail	TS 35, TS 32	Standards	IEC 60947-7-1
Wire connection cross section AWG, max.	AWG 8	Wire connection cross section AWG, min.	AWG 22

SRL 4 STB

Weidmüller Interface GmbH & Co. KG
 Klingenbergstraße 26
 D-32758 Detmold
 Germany

www.weidmueller.com

Technische Daten

Rating data

Rated cross-section	6 mm ²	Rated voltage	1,000
Rated DC voltage	1,000 V DC	Rated current	41 A
Standards	IEC 60947-7-1	Volume resistance according to IEC 60947-7-x	0.78 mΩ
Rated impulse withstand voltage	8 kV	Power loss in accordance with IEC 60947-7-x	1.31 W
Pollution severity	3	Surge voltage category	III

Classifications

ETIM 6.0	EC000897	ETIM 7.0	EC000897
ETIM 8.0	EC000897	ECLASS 9.0	27-14-11-20
ECLASS 9.1	27-14-11-20	ECLASS 10.0	27-14-11-20
ECLASS 11.0	27-14-11-20	ECLASS 12.0	27-14-11-20

Approvals

Approvals



ROHS Conform

Downloads

Approval/Certificate/Document of Conformity	CE Declaration of Conformity UKCA declaration of conformity
Engineering Data	CAD data – STEP
User Documentation	StorageConditionsTerminalBlocks
Catalogues	Catalogues in PDF-format

Datenblatt

SRL 4 STB

Weidmüller Interface GmbH & Co. KG
Klingenbergstraße 26
D-32758 Detmold
Germany

www.weidmueller.com

Zeichnungen

