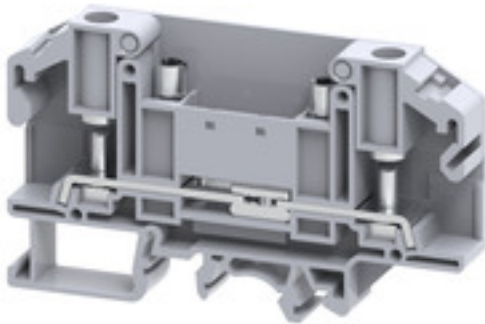


SDL 4

Weidmüller Interface GmbH & Co. KG
Klingenbergstraße 26
D-32758 Detmold
Germany

www.weidmueller.com

Product image



General ordering data

| | |
|------------|----------------------------|
| Order No. | 2614980000 |
| Type | SDL 4 |
| GTIN (EAN) | 4050118653991 |
| Qty. | 50 Stück |

SDL 4

Weidmüller Interface GmbH & Co. KG
 Klingenbergstraße 26
 D-32758 Detmold
 Germany

www.weidmueller.com

Technische Daten

Dimensions and weights

| | | | |
|--------------------------|------------|----------------|------------|
| Depth | 51.5 mm | Depth (inches) | 2.028 inch |
| Depth including DIN rail | 52.2 mm | Height | 86 mm |
| Height (inches) | 3.386 inch | Width | 11 mm |
| Width (inches) | 0.433 inch | Net weight | 20.86 g |

Temperatures

| | | | |
|----------------------------------|----------------|----------------------------------|--------|
| Storage temperature | -25 °C...55 °C | Continuous operating temp., min. | -50 °C |
| Continuous operating temp., max. | 120 °C | | |

Material data

| | | | |
|----------|-----------|--------|------|
| Material | Polyamide | Colour | grey |
|----------|-----------|--------|------|

System specifications

| | | | |
|-------------------------------|--------------|-------------------------------------|----|
| End cover plate required | Yes | Number of potentials | 1 |
| Number of levels | 1 | Number of clamping points per level | 2 |
| Number of potentials per tier | 1 | PE connection | No |
| Rail | TS 32, TS 35 | N-function | No |
| PE function | No | PEN function | No |

Additional technical data

| | | | |
|------------|-------|---------|-----|
| Open sides | right | Snap-on | Yes |
|------------|-------|---------|-----|

CSA rating data

| | | | |
|-----------------------------------|----------|-----------------------------------|-------|
| Certificate number (cCSAus) | 70198654 | Wire cross section max. (cCSAusX) | 8 AWG |
| Wire cross section min. (cCSAusX) | 22 AWG | | |

SDL 4

Weidmüller Interface GmbH & Co. KG
 Klingenbergstraße 26
 D-32758 Detmold
 Germany

www.weidmueller.com

Technische Daten

Conductors for clamping (rated connection)

| | | | |
|---|--------------------------|---|-------------------------|
| 2 x cable lugs DIN 46 234 | 1.5...6 mm ² | 2 x cable lugs DIN 46 235 | 1.5...6 mm ² |
| Blade size | 0.8 x 5.5 mm | Cable lug to DIN 46234 | 1.5...6 mm ² |
| Cable lug to DIN 46235 | 1.5...6 mm ² | Clamping range, bolted connection , max. | 6 mm ² |
| Clamping range, bolted connection , min. | 1.5 mm ² | Clamping range, max. | 6 mm ² |
| Clamping range, min. | 1.5 mm ² | Connection cross-section, stranded, max. | 6 mm ² |
| Connection cross-section, stranded, min. | 1.5 mm ² | Connection direction | on side |
| Number of connections | 2 | Stud size for spade connection | M 4 |
| Tightening torque, max. | 1.2 Nm | Tightening torque, min. | 1.2 Nm |
| Type of connection | Threaded stud connection | Wire connection cross section AWG, max. | AWG 8 |
| Wire connection cross section AWG, min. | AWG 22 | Wire connection cross section, finely stranded, max. | 6 mm ² |
| Wire connection cross section, finely stranded, min. | 1.5 mm ² | Wire connection cross-section, finely stranded with wire-end ferrules DIN 46228/1, max. | 6 mm ² |
| Wire connection cross-section, finely stranded with wire-end ferrules DIN 46228/1, min. | 1.5 mm ² | Wire connection cross-section, finely stranded with wire-end ferrules DIN 46228/4, max. | 6 mm ² |
| Wire connection cross-section, finely stranded with wire-end ferrules DIN 46228/4, min. | 1.5 mm ² | Wire connection cross-section, solid core, max. | 6 mm ² |
| Wire connection cross-section, solid core, min. | 1.5 mm ² | | |

General

| | | | |
|---|--------------|---|---------------|
| Rail | TS 32, TS 35 | Standards | IEC 60947-7-1 |
| Wire connection cross section AWG, max. | AWG 8 | Wire connection cross section AWG, min. | AWG 22 |

Rating data

| | | | |
|---------------------------------|-------------------|--|---------|
| Rated cross-section | 6 mm ² | Rated voltage | 1,000 V |
| Rated DC voltage | 1,000 V DC | Rated current | 41 A |
| Standards | IEC 60947-7-1 | Volume resistance according to IEC 60947-7-x | 0.78 mΩ |
| Rated impulse withstand voltage | 8 kV | Power loss in accordance with IEC 60947-7-x | 1.31 W |
| Pollution severity | 3 | | |

UL rating data

| | | | |
|--|--------|--|-------|
| Certificate No. (cURus) | . | Conductor size Factory wiring max. (cURus) | 8 AWG |
| Conductor size Factory wiring min. (cURus) | 22 AWG | Current size B (cURus) | 35 A |
| Current size C (cURus) | 35 A | Voltage size B (cURus) | 600 V |
| Voltage size C (cURus) | 600 V | | |

SDL 4

Weidmüller Interface GmbH & Co. KG
 Klingenbergstraße 26
 D-32758 Detmold
 Germany

www.weidmueller.com

Technische Daten

Classifications

| | | | |
|-------------|-------------|-------------|-------------|
| ETIM 6.0 | EC000897 | ETIM 7.0 | EC000897 |
| ETIM 8.0 | EC000897 | ECLASS 9.0 | 27-14-11-20 |
| ECLASS 9.1 | 27-14-11-20 | ECLASS 10.0 | 27-14-11-20 |
| ECLASS 11.0 | 27-14-11-20 | ECLASS 12.0 | 27-14-11-20 |

Approvals

Approvals



| | |
|-------------------------|------------|
| ROHS | Conform |
| UL File Number Search | UL Website |
| Certificate No. (cURus) | . |

Downloads

| | |
|---|--|
| Approval/Certificate/Document of Conformity | CE Declaration of Conformity UKCA declaration of conformity |
| Engineering Data | CAD data – STEP |
| User Documentation | StorageConditionsTerminalBlocks |
| Catalogues | Catalogues in PDF-format |

SDL 4

Weidmüller Interface GmbH & Co. KG
Klingenbergstraße 26
D-32758 Detmold
Germany

www.weidmueller.com

Zeichnungen

