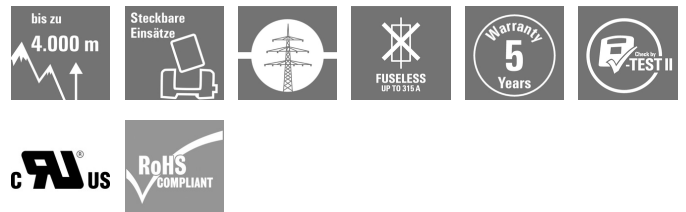


VPU AC II O 300/50 Y

Weidmüller Interface GmbH & Co. KG
 Klingenbergstraße 26
 D-32758 Detmold
 Germany

www.weidmueller.com



In the event of a defective arrester, you can easily reorder this spare arrester, replace the defective arrester and thus restore protection.

General ordering data

Version	Spare arrester, Surge protection
Order No.	2659840000
Type	VPU AC II O 300/50 Y
GTIN (EAN)	4050118679403
Qty.	1 Stück

VPU AC II O 300/50 Y

Weidmüller Interface GmbH & Co. KG

Klingenbergstraße 26

D-32758 Detmold

Germany

www.weidmueller.com

Technische Daten

Dimensions and weights

Depth	64 mm	Depth (inches)	2.52 inch
Height	45 mm	Height (inches)	1.772 inch
Width	18 mm	Width (inches)	0.709 inch
Net weight	54 g		

Temperatures

Storage temperature	-40 °C...85 °C	Operating temperature	-40 °C...85 °C
Operating temperature, min.	-40 °C	Operating temperature, max.	85 °C
Humidity	5 - 95% rel. humidity		

Rated data UL

Ambient temperature (operational), max.	85 °C	Rated Voltage U_N	240 V
VPR (L/N-PE)	900 V	MCOV (L/N-PE)	300 V
SCCR	150 kA	I_n	20 kA
Category	SPD TYPE 1CA	Ambient temperature (operational), min.	-40 °C
Certificate No. (cURus)	E354261	VPR (L-PE)	900 V
Voltage type	AC		

General data

Colour	blue	Operating altitude	≤ 4000 m
Optical function display	green = ok, yellow = warning, red = arrester is defective - replace.	Protection degree	IP20 in installed state
Segment	Power distribution	UL 94 flammability rating	V-0
Version	Surge protection		

Insulation coordination acc. to EN 50178

Pollution severity	2	Surge voltage category	III
--------------------	---	------------------------	-----

Rated data IEC / EN

Discharge current I_{max} (8/20μs) N-PE	50 kA	Discharge current I_n (8/20μs) N-PE	25 kA
Energy coordination (≤10 m)	Type II, Type III	Frequency range, max.	60 Hz
Frequency range, min.	50 Hz	Leakage current at U_n	0.3 mA
Max. continuous voltage, U_c (N-PE)	300 V	Protection level U_p at I_N (N-PE)	≤ 1.5 kV
Rated voltage (AC)	230 V	Requirements category acc. to IEC 61643-11	Type II
Requirements class, acc. to EN 61643-11	T2	Response time	≤ 25 ns
SPD type	T2	Short-circuit current rating I_{SCCR}	0.1 kA
Standards	IEC61643-11, EN61643-11, UL 1449	Temporary surge voltage (over-voltage) - TOV	1,200 V
Voltage type	AC		

Connection data

Type of connection	Plug-in connection
--------------------	--------------------

Guarantee

Time interval	5 years
---------------	---------

Erstellungs-Datum June 5, 2023 10:09:57 AM CEST

VPU AC II 0 300/50 Y

Weidmüller Interface GmbH & Co. KG
 Klingenbergstraße 26
 D-32758 Detmold
 Germany

www.weidmueller.com

Technische Daten

Classifications

ETIM 6.0	EC000941	ETIM 7.0	EC000941
ETIM 8.0	EC000941	ECLASS 9.0	27-13-08-05
ECLASS 9.1	27-13-08-05	ECLASS 10.0	27-13-08-05
ECLASS 11.0	27-13-08-05	ECLASS 12.0	27-17-90-90

Approvals

Approvals



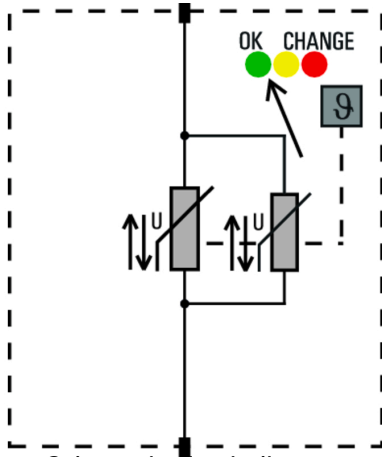
ROHS	Conform
UL File Number Search	UL Website
Certificate No. (cURus)	E354261

Downloads

Approval/Certificate/Document of Conformity	EAC VPU SERIES EU_Konformitätserklärung / EU_Declaration_of_Conformity
Engineering Data	CAD data – STEP
Tender specification	Ausschreibungstext DE Tenderspecification EN
User Documentation	Beipackzettel / Instruction sheet
Catalogues	Catalogues in PDF-format

Zeichnungen

Electric symbol



Schematic circuit diagram