

VPCB PV I+II 1000**Weidmüller Interface GmbH & Co. KG**

Klingenbergstraße 26

D-32758 Detmold

Germany

www.weidmueller.com



'Abbildung ähnlich'

Versatile accessories round off the surge protection range. E.g. the all-purpose measuring device V-TEST, which is used to check the function of pluggable arresters such as VSPC.

General ordering data

Order No.	2665740000
Type	VPCB PV I+II 1000
GTIN (EAN)	4050118686296
Qty.	20 Stück

Erstellungs-Datum June 5, 2023 10:10:54 AM CEST

Katalogstand 26.05.2023 / Technische Änderungen vorbehalten

VPCB PV I+II 1000

Weidmüller Interface GmbH & Co. KG
 Klingenbergstraße 26
 D-32758 Detmold
 Germany

www.weidmueller.com

Technische Daten

Dimensions and weights

Depth	52.2 mm	Depth (inches)	2.055 inch
Height	61.6 mm	Height (inches)	2.425 inch
Width	17.9 mm	Width (inches)	0.705 inch
Net weight	20 g		

Temperatures

Storage temperature	-40 °C...85 °C	Operating temperature	-40 °C...85 °C
Operating temperature, min.	-40 °C	Operating temperature, max.	85 °C
Humidity	5 - 95% rel. humidity		

General data

Colour	grey	Design	miscellaneous
Protection degree	IP20	UL 94 flammability rating	V-0
Version	Miscellaneous		

Insulation coordination acc. to EN 50178

Pollution severity	2	Surge voltage category	III
--------------------	---	------------------------	-----

Photovoltaic technical data

Conditions and requirements	EN 50539-11	Discharge current I_n (8/20 μ s)	20 kA
Discharge current, max. (8/20 μ s)	40 kA	Operating height in the grounded PV system	\leq 4000 m
PV system voltage, max. U_{cpv}	1,500 Vdc	Requirements class	Type I/II

Rated data IEC / EN

Discharge current, max. (8/20 μ s)	40 kA	Number of poles	1
Voltage type	DC		

Connection data

Type of connection	Solder connection, when screwed in
--------------------	------------------------------------

Guarantee

Time interval	5 years
---------------	---------

Classifications

ETIM 6.0	EC000941	ETIM 7.0	EC000941
ETIM 8.0	EC000941	ECLASS 9.0	27-13-08-05
ECLASS 9.1	27-13-08-05	ECLASS 10.0	27-13-08-05
ECLASS 11.0	27-13-08-05	ECLASS 12.0	27-17-90-90

VPCB PV I+II 1000

Weidmüller Interface GmbH & Co. KG
Klingenbergstraße 26
D-32758 Detmold
Germany

www.weidmueller.com

Technische Daten

Approvals

Approvals



ROHS

Conform

Downloads

Engineering Data

[CAD data – STEP](#)

User Documentation

[Assembly instructions VPCB PV](#)

Catalogues

[Catalogues in PDF-format](#)

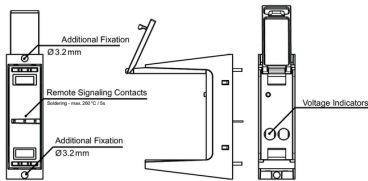
VPCB PV I+II 1000

Weidmüller Interface GmbH & Co. KG
 Klingenbergstraße 26
 D-32758 Detmold
 Germany

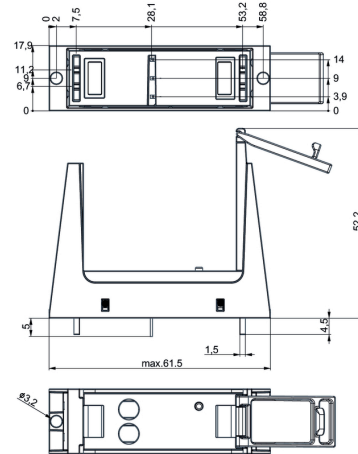
www.weidmueller.com

Zeichnungen

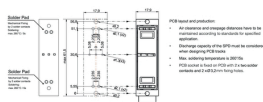
Similar to illustration



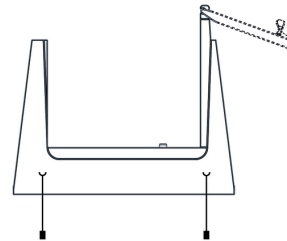
Dimensioned drawing



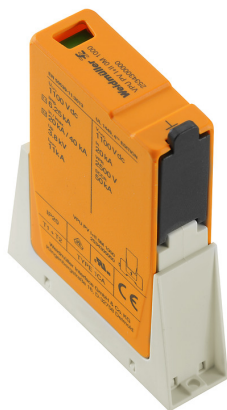
Example of use



Electric symbol



Schematic circuit diagram



Application with arrestor

Socket type / Socket type / Tipo di socket / Tipo di presa / Tipo de socket / 插座类型	Überspannungskategorie / Surge arrester / Parafoudre / Supertensore / Descargador de sobretensiones / 过电压保护器		
Bestellnummer / Order number / Numero de comanda / Numero ordine / Numero de pedido / 订货号	Bestellnummer / Order number / Numero de comanda / Numero ordine / Numero de pedido / 订货号		
28530000	VPCB PV I 1000	25030000	VPU PV I 0 1000
28530000	VPCB PV I R 1000 1)	25030000	VPU PV I R 0 1000
28570000	VPCB PV II 1000	25030000	VPU PV II 0 1000
28570000	VPCB PV II R 1000 1)	25030000	VPU PV II R 0 1000
28570000	VPCB PV I+II M 1000	25030000	VPU PV I+II M 1000
28570000	VPCB PV I+II S 1000 1)	25030000	VPU PV I+II S 1000

1) R = Fernmesskontakt / Remote signaling contacts / Contacto de teleseñalización / Contacti di segnalazione remota / Contactos de señalización a distancia / 远测信号触点

Selection