

**VPCB PV I+II M 1000****Weidmüller Interface GmbH & Co. KG**

Klingenbergstraße 26

D-32758 Detmold

Germany

[www.weidmueller.com](http://www.weidmueller.com)

'Abbildung ähnlich'

Versatile accessories round off the surge protection range. E.g. the all-purpose measuring device V-TEST, which is used to check the function of pluggable arresters such as VSPC.

**General ordering data**

Order No.	<a href="#">2665750000</a>
Type	VPCB PV I+II M 1000
GTIN (EAN)	4050118686289
Qty.	20 Stück

## VPCB PV I+II M 1000

**Weidmüller Interface GmbH & Co. KG**  
 Klingenbergstraße 26  
 D-32758 Detmold  
 Germany

www.weidmueller.com

## Technische Daten

### Dimensions and weights

Depth	52.2 mm	Depth (inches)	2.055 inch
Height	61.6 mm	Height (inches)	2.425 inch
Width	17.9 mm	Width (inches)	0.705 inch
Net weight	20 g		

### Temperatures

Storage temperature	-40 °C...85 °C	Operating temperature	-40 °C...85 °C
Operating temperature, min.	-40 °C	Operating temperature, max.	85 °C
Humidity	5 - 95% rel. humidity		

### General data

Colour	grey	Design	miscellaneous
Protection degree	IP20	UL 94 flammability rating	V-0
Version	Miscellaneous		

### Insulation coordination acc. to EN 50178

Pollution severity	2	Surge voltage category	III
--------------------	---	------------------------	-----

### Photovoltaic technical data

Conditions and requirements	EN 50539-11	Discharge current $I_n$ (8/20 $\mu$ s)	20 kA
Discharge current, max. (8/20 $\mu$ s)	40 kA	Operating height in the grounded PV system	$\leq$ 4000 m
PV system voltage, max. $U_{cpv}$	1,500 Vdc	Requirements class	Type I/II

### Rated data IEC / EN

Discharge current, max. (8/20 $\mu$ s)	40 kA	Number of poles	1
Voltage type	DC		

### Connection data

Type of connection	Solder connection, when screwed in
--------------------	------------------------------------

### Guarantee

Time interval	5 years
---------------	---------

### Classifications

ETIM 6.0	EC000941	ETIM 7.0	EC000941
ETIM 8.0	EC000941	ECLASS 9.0	27-13-08-05
ECLASS 9.1	27-13-08-05	ECLASS 10.0	27-13-08-05
ECLASS 11.0	27-13-08-05	ECLASS 12.0	27-17-90-90

## VPCB PV I+II M 1000

**Weidmüller Interface GmbH & Co. KG**  
Klingenbergstraße 26  
D-32758 Detmold  
Germany

[www.weidmueller.com](http://www.weidmueller.com)

## Technische Daten

### Approvals

Approvals



ROHS

Conform

### Downloads

Engineering Data

[CAD data – STEP](#)

User Documentation

[Assembly instructions VPCB PV](#)

Catalogues

[Catalogues in PDF-format](#)

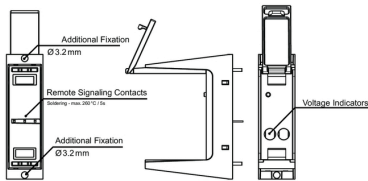
VPCB PV I+II M 1000

Weidmüller Interface GmbH & Co. KG  
 Klingenbergstraße 26  
 D-32758 Detmold  
 Germany

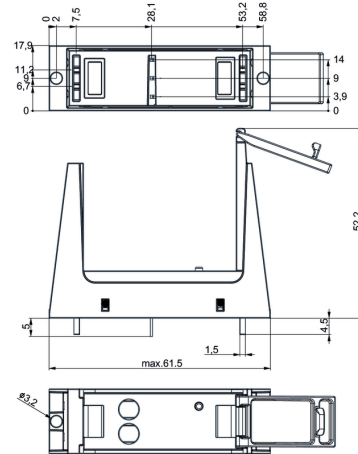
www.weidmueller.com

Zeichnungen

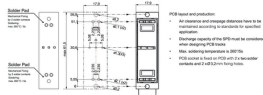
Similar to illustration



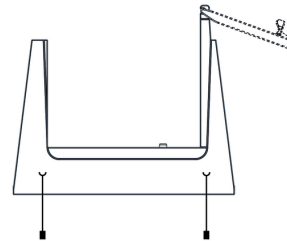
Dimensioned drawing



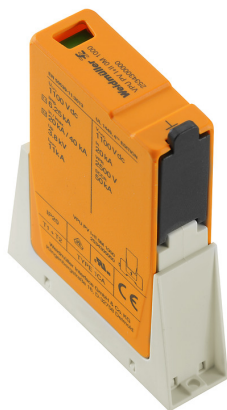
Example of use



Electric symbol



Schematic circuit diagram



Application with arrestor

Socket type / Socket type / Tipo di socket / Tipo di presa / Tipo de socket / 插座类型	Überspannungskategorie / Surge arrester / Parafoudre / Supertensore / Descargador de sobretensiones / 过电压保护器		
Bestellnummer / Order number / Numero de comanda / Numero ordine / Numero de pedido / 订货号	Bestellnummer / Order number / Numero de comanda / Numero ordine / Numero de pedido / 订货号		
28530000	VPCB PV I 1000	250060000	VPU PV I 0 1000
28530000	VPCB PV I R 1000 1)	250060000	VPU PV I R 0 1000
28530000	VPCB PV II 1000	250060000	VPU PV II 0 1000
28530000	VPCB PV II R 1000 1)	250060000	VPU PV II R 0 1000
28570000	VPCB PV I+II M 1000	250400000	VPU PV I+II M 1000
28570000	VPCB PV I+II R 1000 1)		

1) R = Fernmesskontakt / Remote signaling contacts / Contacto de teleseñalización / Contacti di segnalazione remota / Contactos de señalización a distancia / 远端信号触点

Selection