

DRI424110LD

Weidmüller Interface GmbH & Co. KG

Klingenbergstraße 26

D-32758 Detmold

Germany

www.weidmueller.com

Product image



Similar to illustration

dividual relays within the D-SERIES DRI

- 2 CO contact
- DC coils
- With integrated status LED and free-wheeling diode

General ordering data

| | |
|------------|---|
| Version | D-SERIES DRI, Relay, Number of contacts: 2, CO contact AgSnO, Rated control voltage: 110 V DC, Continuous current: 5 A, Flat blade connections (2.5 mm x 0.5 mm), Test button available: No |
| Order No. | 7760056338 |
| Type | DRI424110LD |
| GTIN (EAN) | 6944169739859 |
| Qty. | 20 Stück |

Erstellungs-Datum June 1, 2023 11:15:05 AM CEST

Katalogstand 26.05.2023 / Technische Änderungen vorbehalten

DRI424110LD

Weidmüller Interface GmbH & Co. KG

Klingenbergstraße 26
D-32758 Detmold
Germany

www.weidmueller.com

Technische Daten

Dimensions and weights

| | | | |
|------------|-------|-----------------|------------|
| Depth | 28 mm | Depth (inches) | 1.102 inch |
| Height | 31 mm | Height (inches) | 1.22 inch |
| Width | 13 mm | Width (inches) | 0.512 inch |
| Net weight | 19 g | | |

Temperatures

| | | | |
|-----------------------------|--|-----------------------------|----------------|
| Storage temperature | -40 °C...85 °C | Operating temperature | -40 °C...55 °C |
| Operating temperature, min. | -40 °C | Operating temperature, max. | 55 °C |
| Humidity | 35...85 % rel. humidity, no condensation | | |

Rated data UL

| | |
|-------------------------|---------|
| Certificate No. (cURus) | E312083 |
|-------------------------|---------|

Control side

| | | | |
|-----------------------|----------------|--------------------------------|---------------------|
| Rated control voltage | 110 V DC | Rated current DC | 4,8 mA |
| Power rating | 530 mW | Pull-in/drop-out voltage, typ. | 82.5 V / 16.5 V DC |
| Coil resistance | 22800 Ω ± 10 % | Coil tolerance | 10 % |
| Status indicator | Green LED | Protective circuit | Free-wheeling diode |

Load side

| | | | |
|---|--|---|---------------------------------------|
| Rated switching voltage | 250 V AC | Continuous current | 5 A |
| Max. switching frequency at rated load | 0.1 Hz | Max. switching voltage, DC | 250 V |
| AC switching capacity (resistive), max. | 1250 VA | DC switching capacity (resistive), max. | 150 W @ 24 V |
| Switch-on delay | ≤ 15 ms | Switch-off delay | ≤ 10 ms |
| Contact type | 2 CO contact (AgSnO) | Mechanical service life | 10 x 10 ⁶ switching cycles |
| Min. switching power | 10 mA @ 24 V, 10 mA @ 12 V, 100 mA @ 5 V | | |

General data

| | | |
|--------------------------------------|--------------------------|-----------------|
| Test button available | No | |
| Mechanical switch position indicator | No | |
| Colour | Transparent | |
| UL94 flammability rating component | Component | Relay cover |
| | UL94 flammability rating | V-2 |
| | Component | Relay baseplate |
| | UL94 flammability rating | V-0 |

Insulation coordination

| | | | |
|---|--------------------------------|--|-----------------------------|
| Rated voltage | 300 V | Pollution severity | 2 |
| Surge voltage category | III | Insulating material group | IIIa |
| Clearance and creepage distances for control side - load side | ≥ 4 mm | Dielectric strength for control side - load side | 5 kV _{eff} / 1 min |
| Dielectric strength of neighbouring contacts | 1.5 kV _{eff} / 1 min. | Dielectric strength of open contact | 1 kV _{eff} / 1 min |
| Impulse withstand voltage | 5 kV (1.2/50 μs) | Protection degree | IP20 |

DRI424110LD

Weidmüller Interface GmbH & Co. KG
 Klingenbergstraße 26
 D-32758 Detmold
 Germany

www.weidmueller.com

Technische Daten

Further details of approvals / standards

Certificate No. (cURus) E312083

Connection data

Wire connection method Flat blade connections
 (2.5 mm x 0.5 mm)

Classifications

| | | | |
|-------------|-------------|-------------|-------------|
| ETIM 6.0 | EC001437 | ETIM 7.0 | EC001437 |
| ETIM 8.0 | EC001437 | ECLASS 9.0 | 27-37-16-01 |
| ECLASS 9.1 | 27-37-16-01 | ECLASS 10.0 | 27-37-16-01 |
| ECLASS 11.0 | 27-37-16-01 | ECLASS 12.0 | 27-37-16-01 |

Environmental Product Compliance

REACH SVHC Lead 7439-92-1

Approvals

Approvals



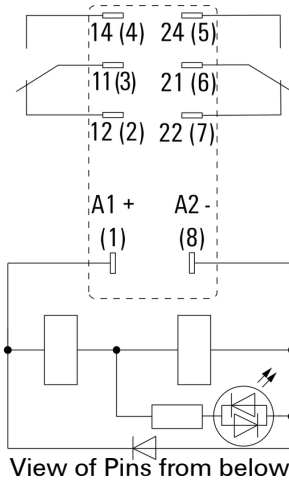
ROHS Conform
 UL File Number Search UL Website
 Certificate No. (cURus) E312083

Downloads

Approval/Certificate/Document of Conformity [EU Konformitätserklärung / EU Declaration of Conformity](#)
 Engineering Data [CAD data – STEP](#)
 Engineering Data [WSCAD, EPLAN](#)
 Catalogues [Catalogues in PDF-format](#)

Zeichnungen

Wiring diagram



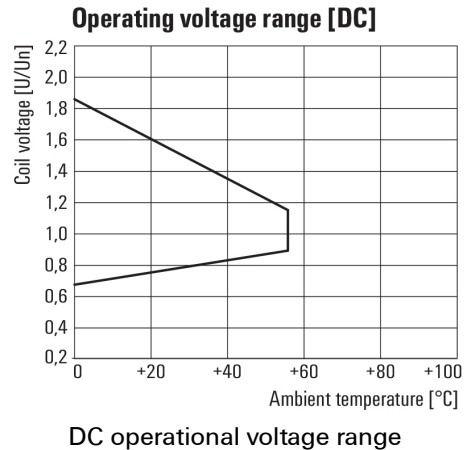
Graph



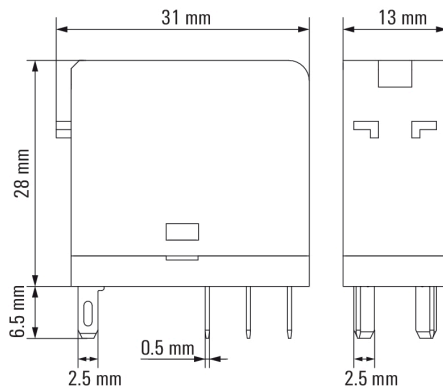
Graph



Graph



Dimensional drawing



DRI424110LD

Weidmüller Interface GmbH & Co. KG
 Klingenbergstraße 26
 D-32758 Detmold
 Germany

www.weidmueller.com

Zeichnungen

Miscellaneous



Type codes