

## RCM580730

**Weidmüller Interface GmbH & Co. KG**

Klingenbergstraße 26

D-32758 Detmold

Germany

www.weidmueller.com

### Product image



Similar to illustration

Individual relays within the RIDERSERIES RCM

- 4 CO contacts with hard gold plated contacts
- Optional AC or DC coils
- With test button

### General ordering data

|            |  |
|------------|--|
| Version    | RIDERSERIES RCM, Relay, Number of contacts: 4, CO contact AgNi gold-plated, Rated control voltage: 230 V AC, Continuous current: 6 A, Plug-in connection, Test button available: Yes |
| Order No.  | <a href="#">7940007637</a>   |
| Type       | RCM580730  |
| GTIN (EAN) | 4032248526345  |
| Qty.       | 10 Stück   |

Erstellungs-Datum June 1, 2023 11:31:02 AM CEST

Katalogstand 26.05.2023 / Technische Änderungen vorbehalten

## RCM580730

**Weidmüller Interface GmbH & Co. KG**  
 Klingenbergstraße 26  
 D-32758 Detmold  
 Germany

www.weidmueller.com

## Technische Daten

### Dimensions and weights

|            |         |                 |            |
|------------|---------|-----------------|------------|
| Depth      | 29 mm   | Depth (inches)  | 1.142 inch |
| Height     | 28 mm   | Height (inches) | 1.102 inch |
| Width      | 22.5 mm | Width (inches)  | 0.886 inch |
| Net weight | 29.5 g  |                 |            |

### Temperatures

|                             |  |                             |                |
|-----------------------------|--|-----------------------------|----------------|
| Storage temperature         | -40 °C...85 °C                                 | Operating temperature       | -40 °C...70 °C |
| Operating temperature, min. | -40 °C   | Operating temperature, max. | 70 °C          |
| Humidity                    | 40 °C / 93 % rel. humidity,<br>no condensation |                             |                |

### Rated data UL

|                         |         |
|-------------------------|---------|
| Certificate No. (cURus) | E522350 |
|-------------------------|---------|

### Control side

|                       |                |                                |                 |
|-----------------------|----------------|--------------------------------|-----------------|
| Rated control voltage | 230 V AC       | Rated current AC               | 4.3 mA          |
| Power rating          | 1000 mVA       | Pull-in/drop-out voltage, typ. | 184 V / 69 V AC |
| Coil resistance       | 19465 Ω ± 15 % | Coil tolerance                 | 15 %            |
| Status indicator      | No             |                                |                 |

### Load side

|   |                                 |   |  |
|---|---------------------------------|---|--|
| Rated switching voltage                 | 240 V AC                        | Continuous current                      | 6 A  |
| Max. switching frequency at rated load  | 0.1 Hz                          | Inrush current                          | 12 A / 20 ms   |
| AC switching capacity (resistive), max. | 1500 VA                         | DC switching capacity (resistive), max. | 144 W @ 24 V   |
| Switch-on delay                         | ≤ 15 ms                         | Switch-off delay                        | ≤ 10 ms  |
| Contact type                            | 4 CO contact (AgNi gold-plated) | Mechanical service life                 | AC coil 20 x 10 <sup>6</sup> switching cycles, DC coil 30 x 10 <sup>6</sup> switching cycles |
| Min. switching power                    | 1 mA @ 1 V                      |   |  |

### General data

|                                      |     |                        |   |
|--------------------------------------|-----|------------------------|---|
| Test button available                | Yes | Version of test button | Lockable test button, Momentary test button |
| Mechanical switch position indicator | Yes | Colour                 | Transparent                                 |
| UL 94 flammability rating            | V-2 |                        |   |

### Insulation coordination

|   |                             |  |                                |
|---|-----------------------------|--|--------------------------------|
| Rated voltage   | 250 V                       | Pollution severity                               | 2                              |
| Surge voltage category  | III                         | Insulating material group                        | IIIa                           |
| Clearance and creepage distances for control side - load side | ≥ 4 mm                      | Dielectric strength for control side - load side | 2.5 kV <sub>eff</sub> / 1 Min. |
| Dielectric strength of neighbouring contacts                  | 2 kV <sub>eff</sub> / 1 min | Dielectric strength of open contact              | 1.2 kV <sub>eff</sub> / 1 min. |
| Impulse withstand voltage                                     | 5 kV (1.2/50 μs)            | Protection degree                                | IP20                           |

### Further details of approvals / standards

|                         |                |                       |          |
|-------------------------|----------------|-----------------------|----------|
| Certificate No. (CSA)   | 249409-2426937 | Certificate No. (VDE) | 40011762 |
| Certificate No. (cURus) | E522350        |                       |          |

Erstellungs-Datum June 1, 2023 11:31:02 AM CEST

**RCM580730**

**Weidmüller Interface GmbH & Co. KG**  
 Klingenbergstraße 26  
 D-32758 Detmold  
 Germany

www.weidmueller.com

## Technische Daten

### Connection data

|                        |                    |
|------------------------|--------------------|
| Wire connection method | Plug-in connection |
|------------------------|--------------------|

### Classifications

|             |             |             |             |
|-------------|-------------|-------------|-------------|
| ETIM 6.0    | EC001437    | ETIM 7.0    | EC001437    |
| ETIM 8.0    | EC001437    | ECLASS 9.0  | 27-37-16-01 |
| ECLASS 9.1  | 27-37-16-01 | ECLASS 10.0 | 27-37-16-01 |
| ECLASS 11.0 | 27-37-16-01 | ECLASS 12.0 | 27-37-16-01 |

### Approvals

Approvals



|                         |            |
|-------------------------|------------|
| ROHS                    | Conform    |
| UL File Number Search   | UL Website |
| Certificate No. (cURus) | E522350    |

### Downloads

|   |   |
|---|---|
| Approval/Certificate/Document of Conformity | <a href="#">EU Konformitätserklärung / EU Declaration of Conformity</a> |
| Engineering Data                            | <a href="#">CAD data – STEP</a>   |
| Engineering Data                            | <a href="#">WSCAD, EPLAN</a>  |
| Catalogues                                  | <a href="#">Catalogues in PDF-format</a>                                |
| Brochures                                   |   |

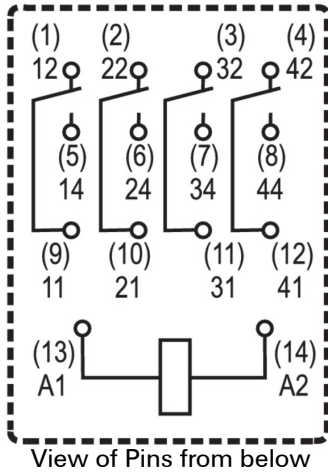
RCM580730

Weidmüller Interface GmbH & Co. KG  
 Klingenbergstraße 26  
 D-32758 Detmold  
 Germany

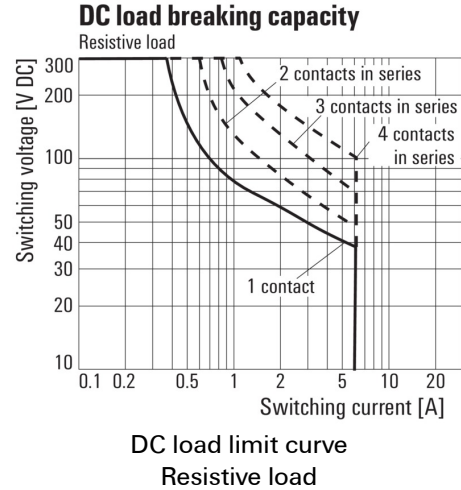
www.weidmueller.com

Zeichnungen

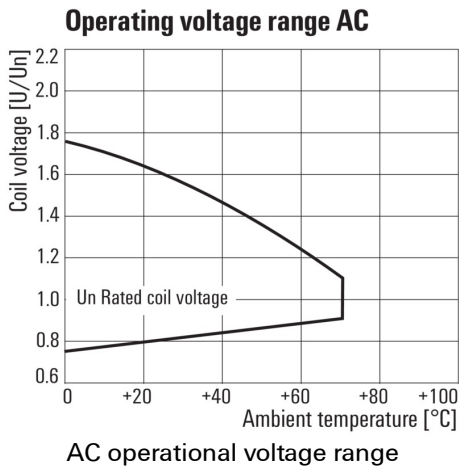
Wiring diagram



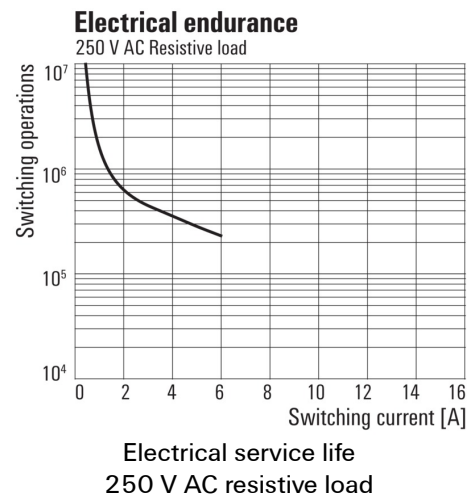
Graph



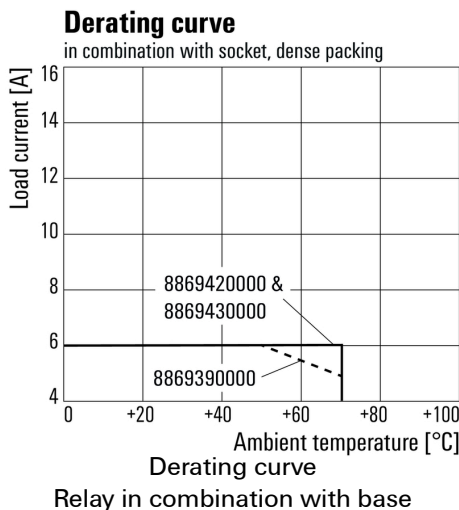
Graph



Graph



Graph



Dimensional drawing

